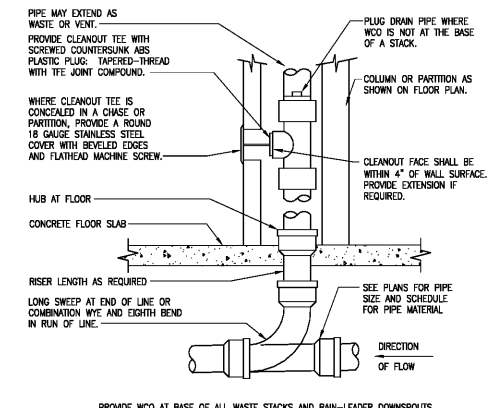
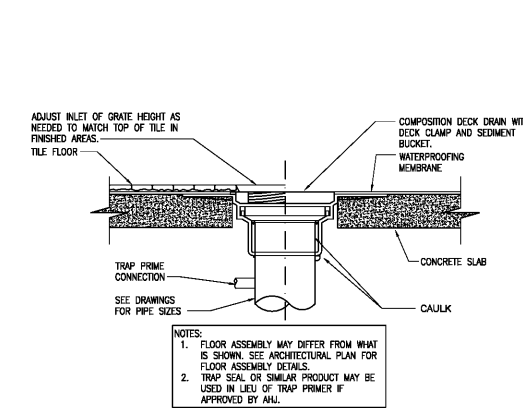


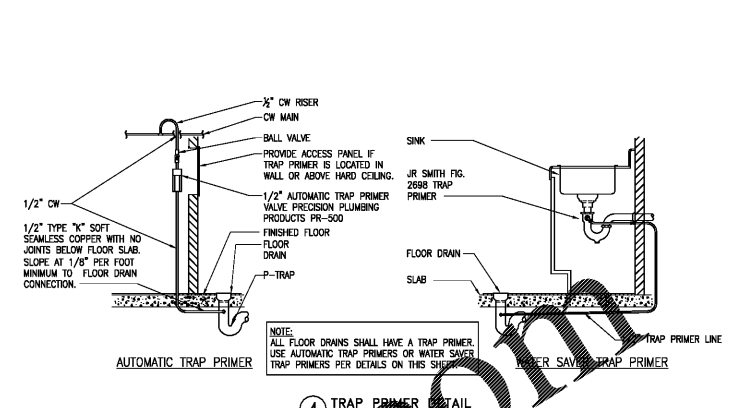
1 FLOOR/GRADE CLEANOUT DETAIL  
NO SCALE



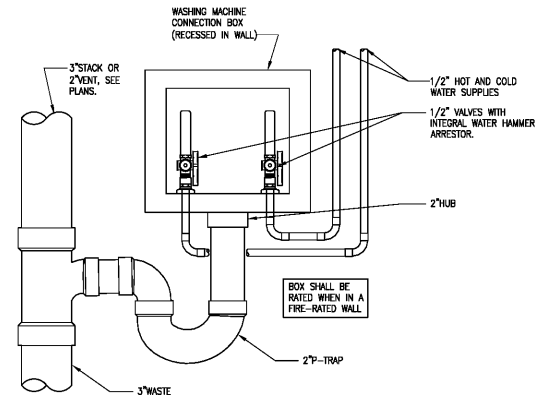
2 WALL CLEANOUT DETAIL  
NO SCALE



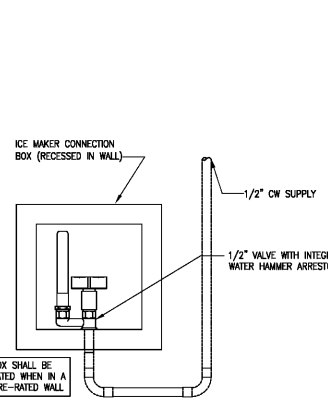
3 FLOOR DRAIN DETAIL  
NO SCALE



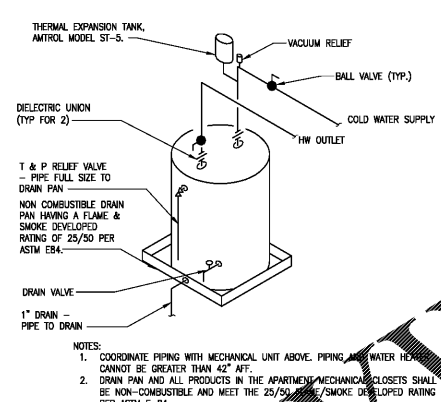
4 TRAP PRIMER DETAIL  
NO SCALE



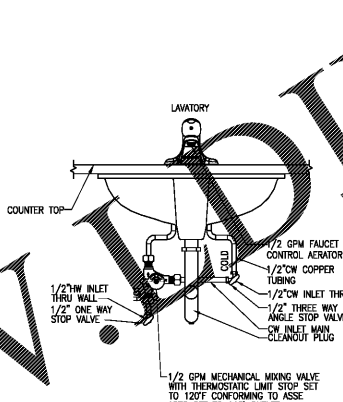
5 WASHING MACHINE BOX DETAIL  
NO SCALE



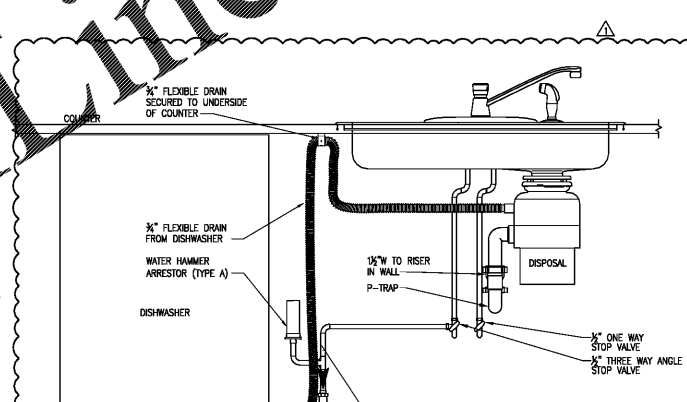
6 ICE MAKER BOX DETAIL  
NO SCALE



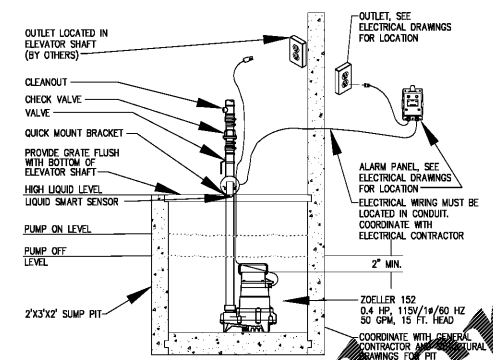
7 ELECTRIC WATER HEATER DETAIL  
NO SCALE



8 PUBLIC LAVATORY PIPING DETAIL  
NO SCALE



9 DISHWASHER & DISPOSAL DETAIL  
NO SCALE

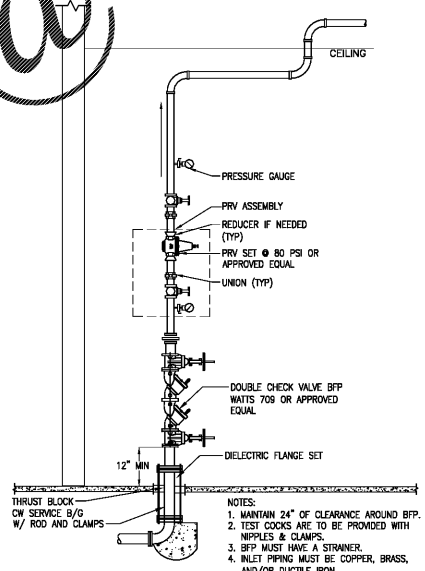


10 ELEVATOR SUMP PUMP DETAIL  
NO SCALE

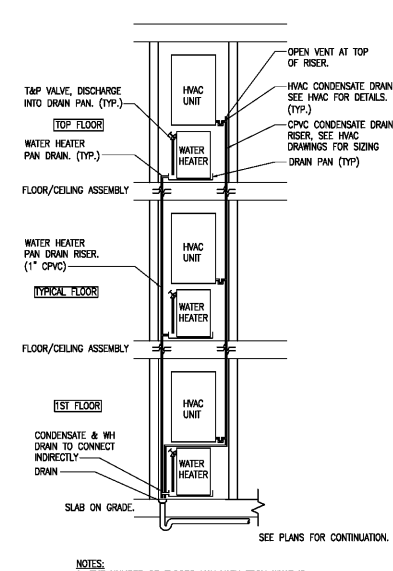
EXPANSION JOINT SIZING

SIZE	L	L1	L2	M	S
3	16"	12 3/4"	4 3/4"	6"	
4	17 1/2"	13 1/4"	5 1/4"	6"	
6	21 3/4"	15 3/4"	6"	6"	

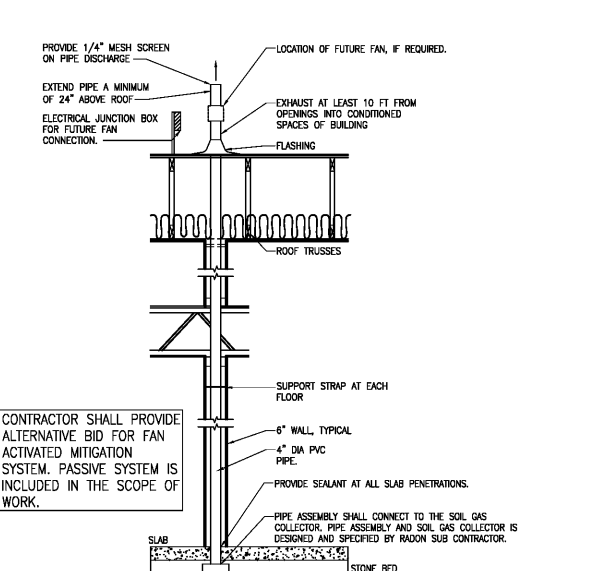
11 EXPANSION JOINT DETAIL  
NO SCALE



12 DOMESTIC WATER SERVICE ENTRANCE  
NO SCALE



13 CONDENSATE & WATER HEATER PAN DRAIN RISER  
NO SCALE



14 PASSIVE VAPOR MITIGATION DETAIL  
NO SCALE



Project: 1928  
CADD File:  
Drawn By: NT  
Checked By: CB  
Permit Release:  
May 15, 2020  
Construction Release Set:  
May 15, 2020  
Revisions  
No. Date Description  
1 03/19/21 Owner Comments

ASI / RFI Revisions  
No. Date Description

PRINCE GEORGE ENGINEERING, P.C.  
10100 W. BROADWAY  
ANNAPOLIS, MD 21406  
410-291-1111  
www.pge.com

Borough 33  
an Apartment Community by  
33 Broad MF, LLC  
in Chaffanoga, Tennessee

Drawing Title:  
PLUMBING DETAILS