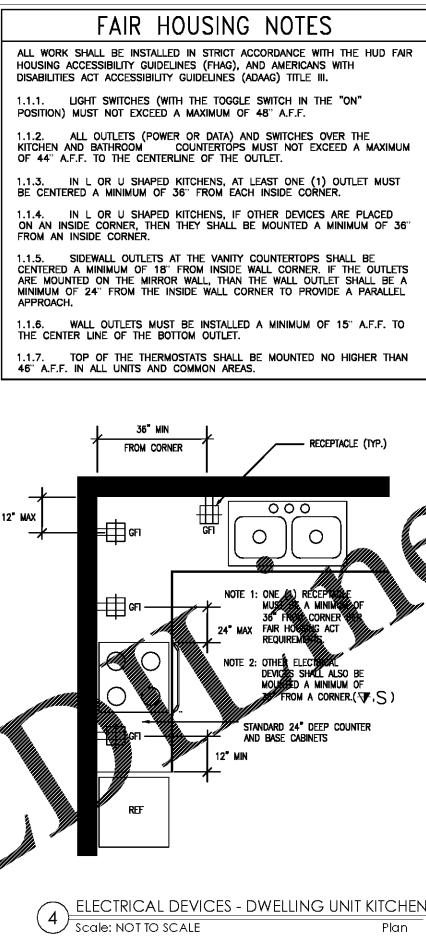


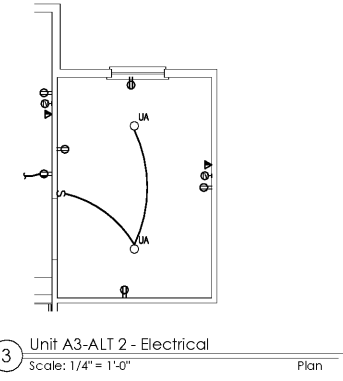
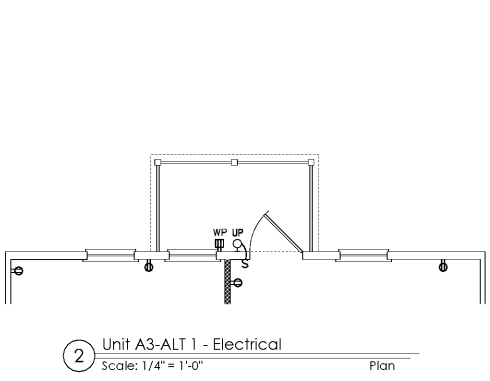
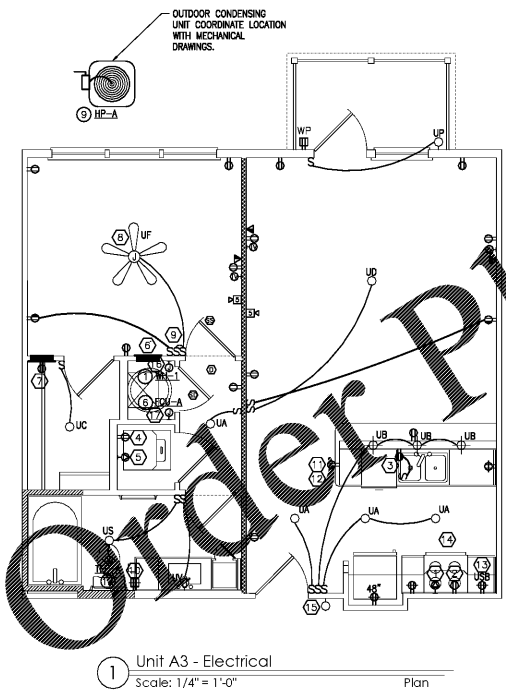
LOAD CENTER A3 SCHEDULE									
CIRCUIT NO.	DESCRIPTION	L.C.M. (VA)	CIRCUIT	PHASE		CIRCUIT	LOAD (VA)	DESCRIPTION	CIRCUIT NO.
				A	B				
1	Refrigerator (1)	1.2	20A1	0.5		3002	2.3	REF	2
2	Dishwasher (2)	0.7	15A1	3.0		3002	2.3	WD	4
3	Appliance (1)	1.5	20A1	0.8		3002	1.5	FCU-A	6
4	Refrigerator (1)	1.5	20A1	3.4		3002	1.5	REF	8
5	Clothes Washer (1)	1.5	20A1	2.8		2802	1.0	WP-A	10
11	Light (1)	1.0	15A1	2.3		2802	4.0	1" (1)	12
13	Light (1)	1.0	15A1	5.4		2802	4.4	Range	14
15	Refrigerator (1)	1.2	20A1	0.8		3002	4.4	REF	16
17	Light (1)	1.0	15A1	1.0		2802	1.0	Recessed/Flush (1)	18
18	Light (1)	1.0	15A1	2.5		3002	2.5	Spot	20
21	Light (1)	1.0	15A1	2.5		3002	2.5	Spot	22
23	Light (1)	0.5	15A1	3.1	20A1	3002	0.5	Spot	24

LOADCENTER "A3" CALCULATION	
LIGHTS AND RECEPTACLE LOAD	2,004 VA
20A 25A APPLIANCE CIRCUITS	1,000 VA
LAUNDRY CIRCUIT	1,000 VA
RANGE	6,800 VA
WATER HEATER	4,500 VA
DISHWASHER	748 VA
CLOTHES DRYER	5,000 VA
REFRIGERATOR	1,200 VA
DISPOSAL	480 VA
MICROWAVE/HEATED	250 VA
FLUORESCENT FAN	395 VA
SUBTOTAL	26,680 VA
NEAREST STANDARD 100%	30,000 VA
40% OF RESIDUANCE	12,000 VA @ 4
SUBTOTAL PER NEC 220.82(C)	17,680 VA
NEC	
COMRESSOR	1,978 VA
HEAT	3,800 VA
TOTAL HVAC	5,778 VA
HEAT@95% & COMP@100% PER NEC 220.82(C)	4,446 VA
SUBTOTAL PER NEC 220.82(D)	17,484 VA
HVAC PER NEC 220.82(C)	4,446 VA
TOTAL DEMAND LOAD	21,930 VA
21.930 VA @ 240V = 91.34 AMPS	110 AMP SERVICE
TOTAL CONNECTED LOAD	34,486 VA
NUMBER OF 15A LIGHTING/RECEPTACLE BRANCH CIRCUITS	
FEEDER SIZE	3M150AL18194ALJG FOR LOADCENTER (WITHIN 120 FEET)
	3M250AL18193ALJG FOR LOADCENTER OVER 120 FEET



- ### GENERAL NOTES
1. TYPE NM-B WIRING FOR BRANCH CIRCUIT WIRING FOR TYPES III, IV, AND V CONSTRUCTION IF ACCEPTABLE TO LOCAL JURISDICTION HAVING AUTHORITY. PROVIDE M.C. CABLE OR WIRE/CONDUIT FOR ALL OTHER CONSTRUCTION TYPES.
 2. SEAL ALL OUTLET BOXES PER LOCAL ENERGY CODE.
 3. INTERCONNECT SMOKE DETECTORS IN INDIVIDUAL UNITS SO THAT INITIATION OF ONE WILL CAUSE INITIATION OF ALL.
 4. INDICATED MECHANICAL EQUIPMENT, SEE EXXX FOR MECHANICAL CONNECTION SCHEDULE.
 5. OUTLET BOXES SHALL NOT BE INSTALLED WITHIN ANY WALL BACK TO BACK.
 6. ELECTRICAL OUTLET BOXES IN THE PARTY WALL(S), AS WELL AS INTERIOR WALLS, SHALL BE STAGGERED SO THAT THEY ARE NOT BACK-TO-BACK. PUTTY PACKS SHALL BE INSTALLED AROUND ALL BOXES. IF A SITUATION ARISES WHERE THE OUTLET BOXES MUST BE INSTALLED BACK-TO-BACK, USE A SOLID PANEL TO BLOCK NOISE TRANSMISSION BETWEEN THE BACK OF THE BOXES. IN ADDITION, USE ACOUSTICAL INSULATION BETWEEN THE SOLID BLOCKING PANEL AND THE WALL SURFACES, COMPLETELY SURROUNDING THE OUTLET BOXES.
 7. GFCI OUTLETS SHALL NOT BE INSTALLED IN MIRRORS. COORDINATE EXACT LOCATION WITH ARCHITECT PRIOR TO ROUGH-IN.
 8. SINGLE STATION SMOKE/CO DETECTORS SHALL BE PHOTOELECTRIC TYPE, PROVIDE GENTLE TYPE SOFF OR EQUIV. SMOKE ALARMS SHALL BE PROVIDED FROM 120V A/C POWER SOURCE AND HAVE A BACKUP BATTERY. SMOKE ALARMS A/C POWER SHALL BE SUPPLIED BY UNSWITCHED PORTION OF THE BEDROOM CIRCUIT. SMOKE ALARMS SHALL BE INTERCONNECTED TO ALL UNITS SO THAT INITIATION OF ONE WILL CAUSE INITIATION OF ALL. REFER TO ICPA 72 FOR SMOKE DETECTOR INFORMATION.
 9. INSTALLATION REGARDLESS OF LOCATION SHOWN ON DRAWINGS, INSTALL BASED ON 1-1/4" BELOW CEILING.
 10. WALLS, CEILING AND OUTSIDE OF EVERY SLEEPING AREA AND ON ALL LEVELS OF SLEEPING UNITS, DETECTOR SHALL BE INSTALLED WITHIN 12 FEET OF ANY DOOR TO SLEEPING ROOM.
 11. SMOKE ALARMS SHALL NOT BE LOCATED WITHIN 36" HORIZONTAL PATH FROM A BATHROOM CONTAINING A SHOWER OR TUB.
 12. SMOKE ALARMS SHALL NOT BE LOCATED WITHIN 36" HORIZONTAL PATH FROM SUPPLY REGISTERS OF A FORCED AIR HEATING OR COOLING SYSTEM AND SHALL BE INSTALLED OUTSIDE OF THE DIRECTION OF AIRFLOW FROM THESE REGISTERS. COORDINATE EXACT LOCATION OF SMOKE ALARMS WITH MECHANICAL CONTRACTOR PRIOR TO ROUGH-IN.
 13. SMOKE ALARMS SHALL NOT BE LOCATED WITHIN 36" HORIZONTAL PATH FROM THE TIP OF THE BLADE OF A CEILING-SUSPENDED PADDED FAN.
 14. SEE ARCHITECTURAL REFLECTED CEILING PLAN FOR EXACT LOCATIONS OF LIGHTING FIXTURES.
 15. FINAL SELECTION, QUANTITY, AND LOCATION OF LIGHTS IN APARTMENTS TO BE COORDINATED WITH ARCHITECT AND INTERIOR PRIOR TO BID.
 16. TYPE NM-B CABLE IS NOT ALLOWED EXPOSED IN HVAC CLOSETS. PROVIDE TYPE MC CABLE OR ROUTE TYPE NM-B CABLE IN FLEXIBLE METALLIC CONDUIT SO THAT NM-B CABLE IS NOT EXPOSED IN CLOSET.
 17. PROVIDE TAMPER RESISTANT RECEPTACLES IN ALL ROOMS REQUIRED BY NEC 408.12.
 18. ALL 15 AND 20 AMP SINGLE PHASE BRANCH CIRCUITS SUPPLYING LIGHTS, RECEPTACLES, AND SMOKE DETECTORS WITHIN LIVING UNITS SHALL BE PROTECTED BY A LISTED "ARC FAULT CIRCUIT INTERRUPTER" BREAKER. EXCEPT CIRCUITS INCLUDE BATHROOMS, GARAGES, AND OUTDOOR RECEPTACLES.
 19. RECEPTACLES INSTALLED IN WET LOCATIONS SHALL BE WEATHER RESISTANT, WEATHERPROOF, AND GFCI.
 20. PROVIDE CONDUIT SLEEVE EXTENDING 18" ON EITHER SIDE OF FIRE WALLS FOR WIRING THAT PASSES THRU FIRE WALLS.
 21. VERIFY MOUNTING AND OPERATION HEIGHTS OF ALL ELECTRICAL DEVICES FOR ACCESSIBILITY WITH ARCHITECT PRIOR TO BID/ROUGH-IN.
 22. ANY CEILING MOUNTED DEVICE WITHIN 4" OF ANOTHER CEILING MOUNTED DEVICE, PROVIDE A METAL BOX.

- ### UNIT PLAN KEY NOTES (THIS SHEET ONLY)
- 1 - PROVIDE (NEMA 14-30R) RECEPTACLE W/3#6, #10G CIRCUIT FOR RANGE. PROVIDE RANGE CORD.
 - 2 - PROVIDE (NEMA 5-20R) RECEPTACLE W/2#12, #12G CIRCUIT FOR RANGE HOOD/MICROWAVE.
 - 3 - MOUNT UNDER CABINET, BREAK TABS, TOP RECEPTACLE SHALL BE CONTROLLED BY SWITCH FOR DISPOSAL, BOTTOM RECEPTACLE SHALL BE UNSWITCHED FOR DISHWASHER. PROVIDE 4" SO CORD WITH 3 PRONG PLUG FOR DISHWASHER AND 3" SO CORD WITH 3 PRONG PLUG FOR GARBAGE DISPOSAL. MOUNT SWITCH INSIDE BASE CABINET. PROVIDE 2 CIRCUITS AS INDICATED ON THE LOAD CENTER SCHEDULE.
 - 4 - PROVIDE A (NEMA 5-20R) RECEPTACLE MTD 48" AFF WITH 2#12, #12G. FOR WASHER.
 - 5 - PROVIDE A (NEMA 14-30R) RECEPTACLE MTD 48" AFF WITH 3#10, #10G CIRCUIT FOR CLOTHES DRYER. PROVIDE DRYER CORD.
 - 6 - FLUSH MOUNTED LOAD CENTER (W/FLUSH MOUNT COVER, 1/2" OVERLAP); CONTRACTOR SHALL VERIFY THAT THERE IS NO PIPING AND/OR DUCTWORK INSTALLED ABOVE LOADCENTER. MOUNT TOP CIRCUIT BREAKER HANDLE AT 48" AFF. COORDINATE EXACT LOCATION AND REQUIREMENTS WITH ARCHITECT/INTERIOR DESIGNER/OWNER PRIOR TO BID/ROUGH-IN.
 - 7 - PROVIDE (MINIMUM 14" X 26" FLUSH MOUNTED STRUCTURED MEDIA ENCLOSURE WITH LOCKING DOOR, 1/2" BRIDGED TELEPHONE BOARD AND 6 WAY 1GHZ PASSIVE VIDEO SPLITTER. PROVIDE (1) CAT 6 CABLE FROM PUNCH DOWN BLOCK TO EACH DATA/TELEPHONE OUTLET (NO DASHY CHAINING) AND (1) CAT 6 CABLE FROM PUNCH DOWN BLOCK TO TELEPHONE SERVICE DEMARCATION LOCATION. PROVIDE (1) RG11 COAXIAL CABLE FROM SPLITTER TO EACH TELEVISION OUTLET (NO DASHY CHAINING) AND PROVIDE (1) RG11 COAXIAL CABLE FROM SPLITTER TO CABLE SERVICE DEMARCATION LOCATION. TERMINATE ALL CABLES ON APPROPRIATE TERMINATION POINTS. CLEARLY LABEL EACH PORT IDENTIFYING THE DESTINATION ADDRESS OF EACH CABLE. PROVIDE A MINIMUM OF 12" SLACK CABLE AT EACH OUTLET. PROVIDE (1) 20A DUPLEX RECEPTACLE MOUNTED WITHIN ENCLOSURE. MOUNT ENCLOSURE AT 36" AFF. FIELD VERIFY. SEE TELE/CAV/RISER DIAGRAM.
 - 8 - PROVIDE A FAN-RATED JUNCTION BOX RECESSED FLUSH WITHIN CEILING.
 - 9 - 1 SWITCH SHALL CONTROL FAN. 1 SPST OR 3 WAY SWITCH SHALL CONTROL LIGHT.
 - 10 - MOUNT RECEPTACLE HORIZONTALLY WITHIN 12" OF FRONT EDGE OF COUNTER, COORDINATE WITH THE MILL WORK CONTRACTOR FOR OUTLET LOCATION WHEN NO SIDE WALL IS AVAILABLE.
 - 11 - MOUNT HORIZONTALLY 4" BELOW COUNTERTOP WHERE COUNTER OVERHANG DOES NOT EXTEND MORE THAN 6". COORDINATE WITH ARCHITECT.
 - 12 - CONNECT TO GFCI BRANCH CIRCUIT
 - 13 - PROVIDE HUBBLE USB15A** SERIES TYPE COMBO RECEPTACLE. CIRCUIT DOWNSTREAM OF GFI-PROTECTED OUTLET IF LOCATED IN KITCHEN, WITHIN 6'-0" OF A SINK, OR NOTED AS "GFI".
 - 14 - SEE 4/E1.4 FOR FAIR HOUSING OUTLET SPACING IN KITCHEN
 - 15 - CONNECT TO UNIT LIGHTING BRANCH CIRCUITRY
 - 16 - PROVIDE JUNCTION BOX FOR WATER HEATER.
 - 17 - PROVIDE JUNCTION BOX FOR INDOOR UNIT.



Seal

03-19-2021

POOLE & POOLE ARCHITECTURE
3736 Winterfield Road, Suite 102
Midlothian, Virginia 23113
Telephone 804.225.0215
www.zpa.net

Project: 1928
CADD File:
Drawn By: SW
Checked By: WM

Permit Release:
May 19, 2020
Construction Release Set:
May 19, 2020

Revisions
No. Date Description
1 03/19/21 Owner Comments

ASI / RFI Revisions
No. Date Description

© 2019 Poole & Poole Architecture, LLC
Engineering and architectural drawings are the sole property of Poole & Poole Architecture, LLC and shall not be used for any other project without the written consent of Poole & Poole Architecture, LLC.

REGISTERED PROFESSIONAL ENGINEER
MICHAEL C. POOLE
LICENSE NO. 0000000000
STATE OF TENNESSEE

Borough 33
an Apartment Community by
33 Broad MF, LLC
in Chattanooga, Tennessee

Drawing Title:
Unit Plan

E1.4