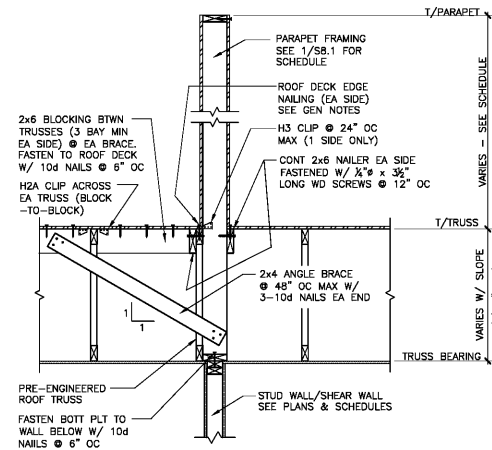
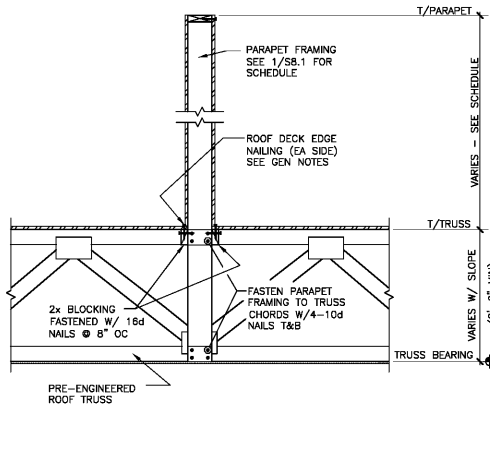


**A** PARAPET PARALLEL TO TRUSS SPAN & NOT ALIGNED W/ WALL BELOW

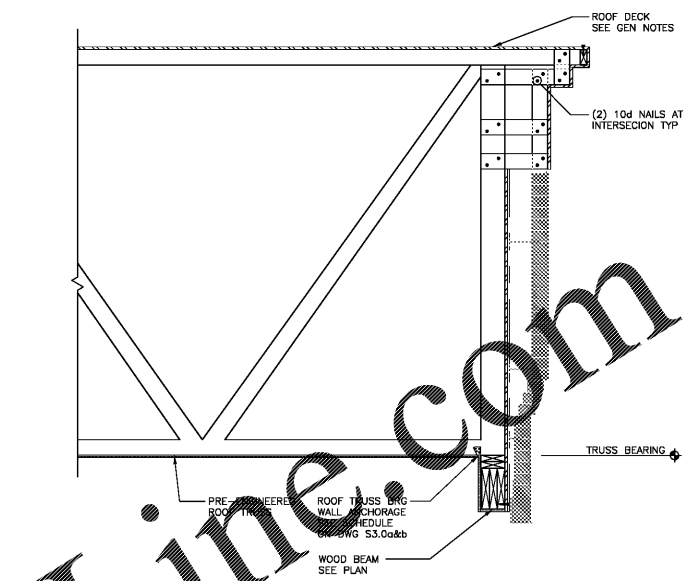
**1** SECTION AT INTERIOR ROOF PARAPET  
SCALE: 3/4" = 1'-0"



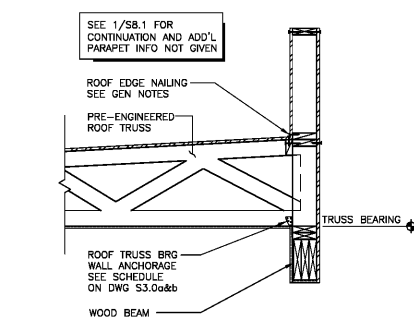
**B** PARAPET PARALLEL TO TRUSS SPAN & ALIGNED W/ WALL BELOW



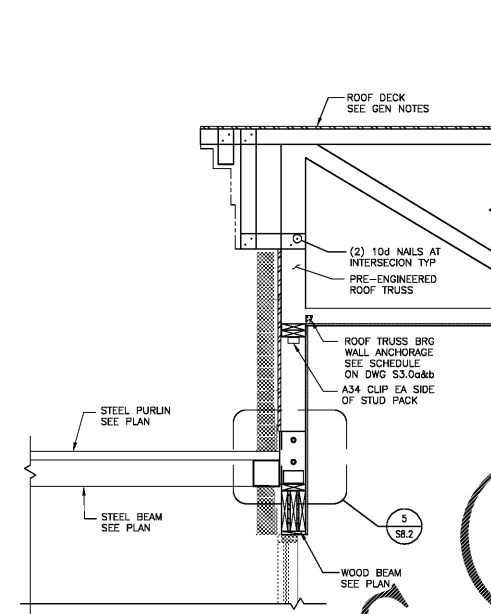
**C** PARAPET PERPENDICULAR TO TRUSS SPAN



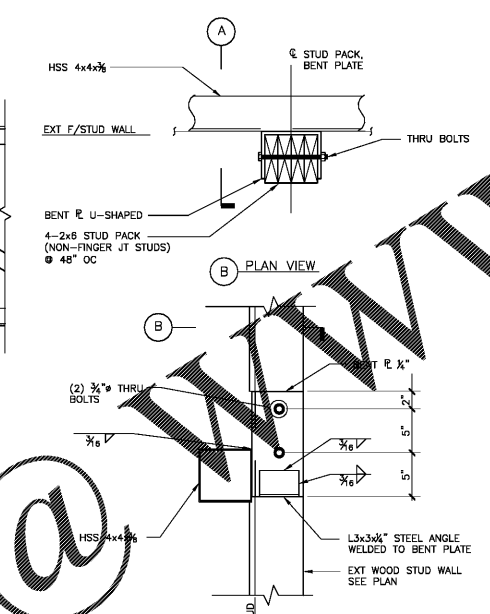
**2** SECTION AT ROOF BOX TRUSS  
SCALE: 3/4" = 1'-0"



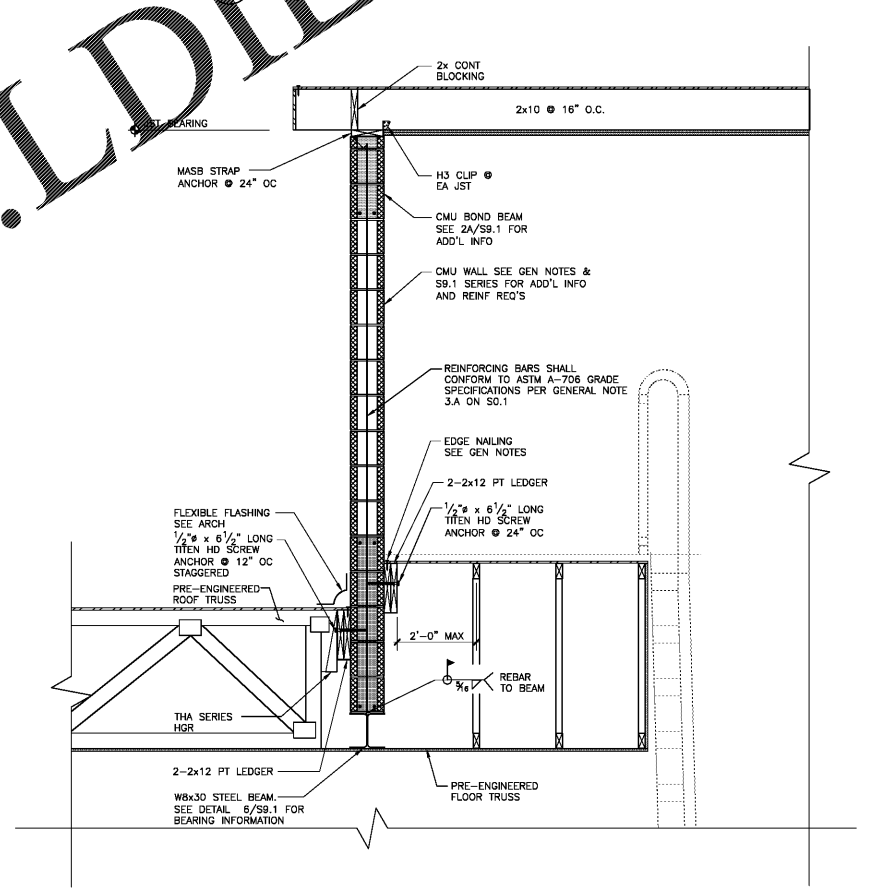
**3** SECTION AT EXTERIOR ROOF PARAPET  
SCALE: 3/4" = 1'-0"



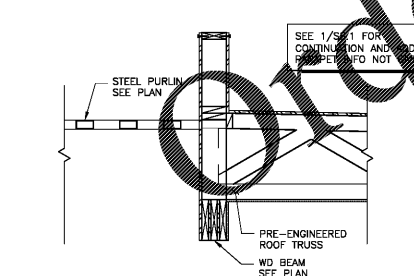
**4** SECTION AT EXTERIOR OF CLUBHOUSE  
SCALE: 3/4" = 1'-0"



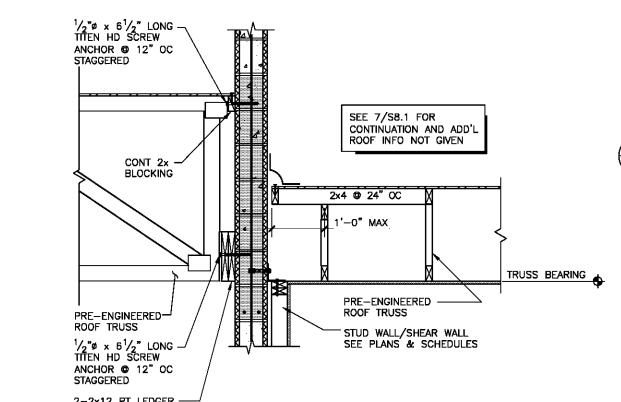
**5** PERGOLA CONNECTION DETAIL  
SCALE: 1/2" = 1'-0"



**7** SECTION AT CMU STAIR  
SCALE: 3/4" = 1'-0"



**6** SECTION AT PERGOLA  
SCALE: 3/4" = 1'-0"



**8** SECTION AT CMU STAIR  
SCALE: 3/4" = 1'-0"

Order Plans @ WWW.LDOnline.com

Seal

**ZPA**  
PEOPLE & PURPOSE ARCHITECTURE  
5736 Westchester Road, Suite 100  
Madison, TN 37115  
Tel: 615.388.1111  
Fax: 615.388.1112  
www.zpa.com

**DAVIS**  
**CHURCH**  
STRUCTURAL ENGINEERS  
7905 Westside Park, Ste. 200  
Alpharetta, GA 30009  
(770) 642-1213

Project: 1928.00  
CADD File:  
Drawn By: AVG  
Checked By: TQ

Permit Release:  
May 15, 2020  
Construction Release Set:  
May 15, 2020

Revisions	No.	Date	Description

ASI / RFI Revisions

No.	Date	Description

© 2019 Peck & Peck Architecture, LLC  
Drawings and specifications are and shall remain the  
property of Peck & Peck Architecture, LLC and shall not  
be used or reproduced in whole or part in any form  
without prior written consent of Peck & Peck  
Architecture, LLC.

**Borough 33**  
an Apartment Community by  
33 Broad MF, LLC  
in Chattanooga, Tennessee

Drawing Title:  
TYPICAL ROOF FRAMING  
SECTIONS & DETAILS

**S8.2**

ISSUED FOR CONSTRUCTION