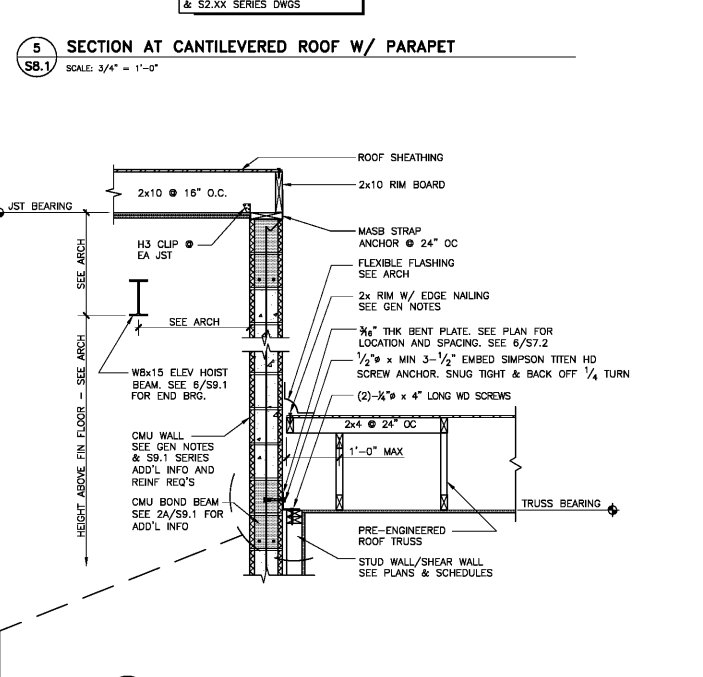
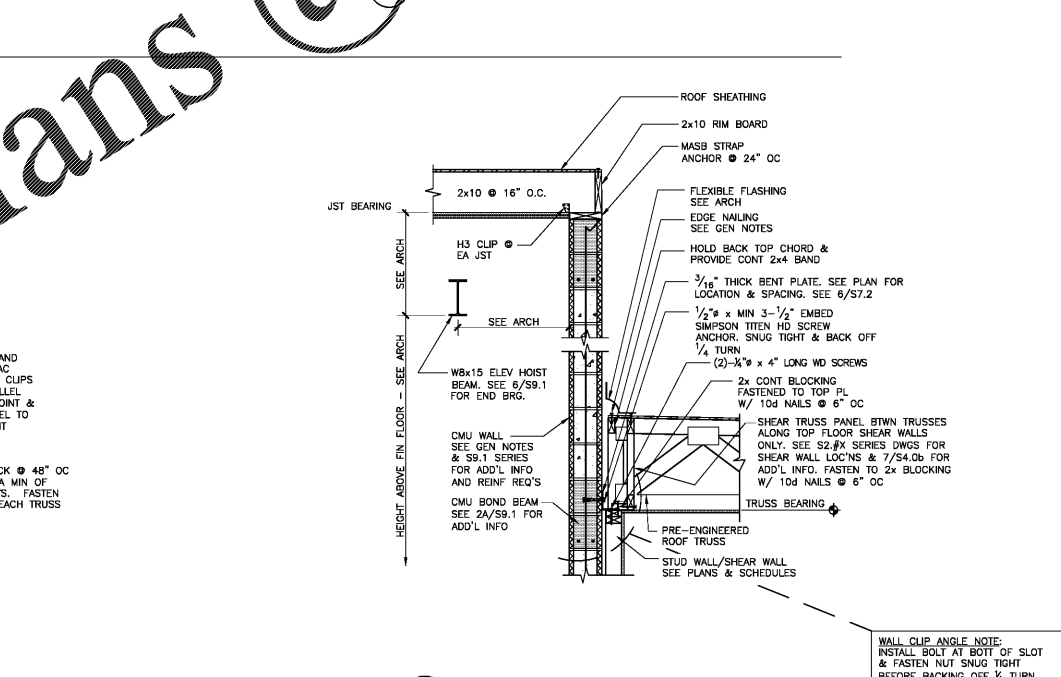
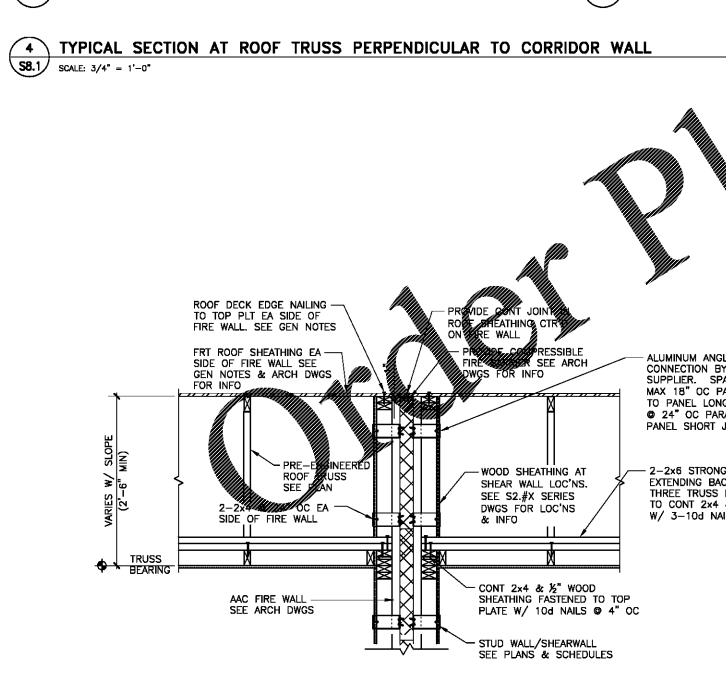
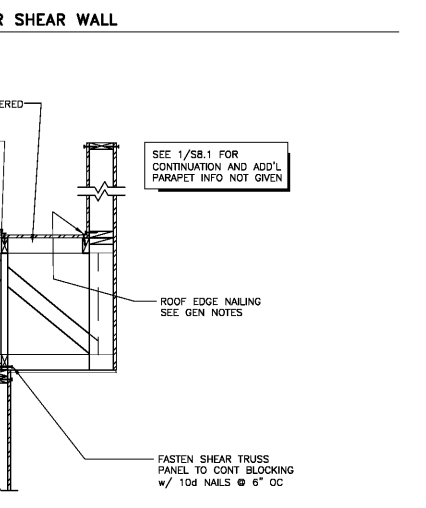
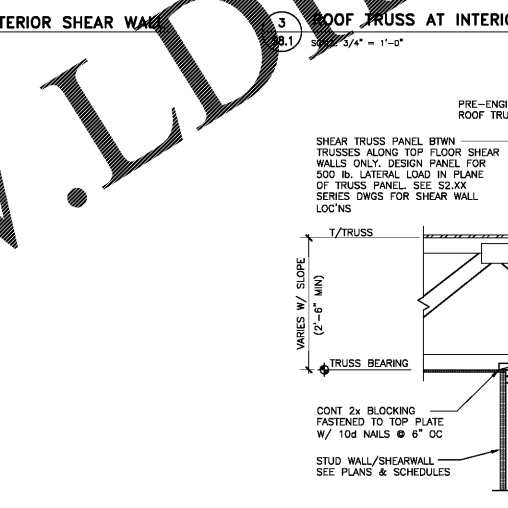
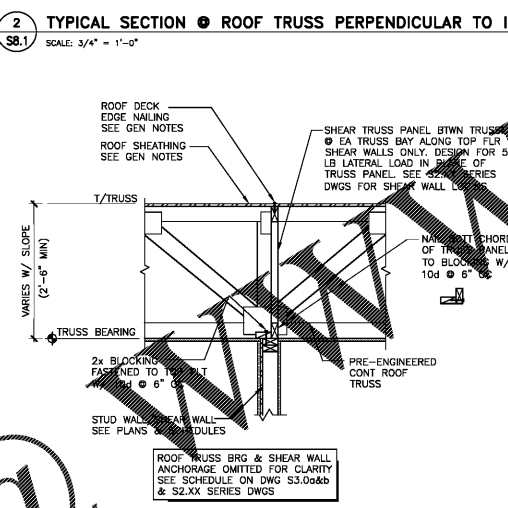
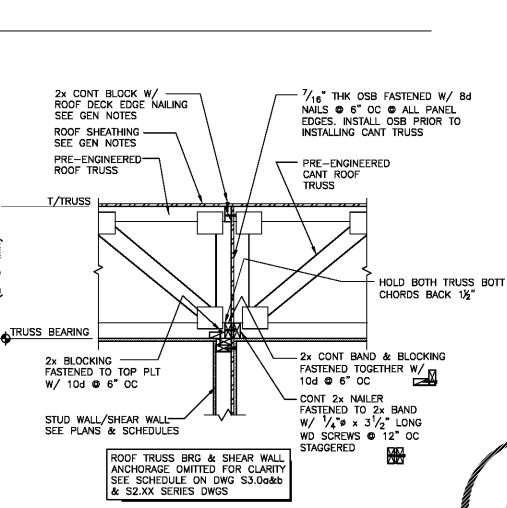
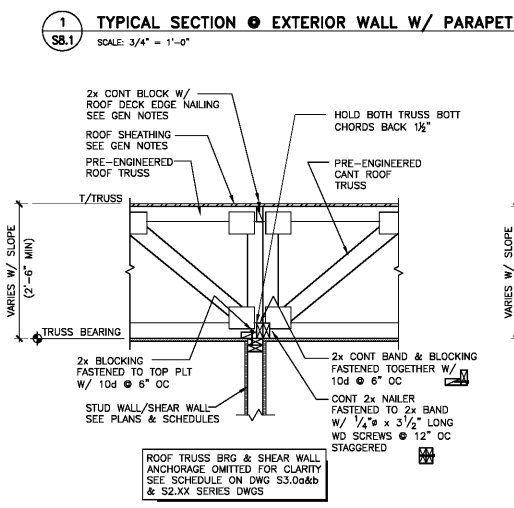
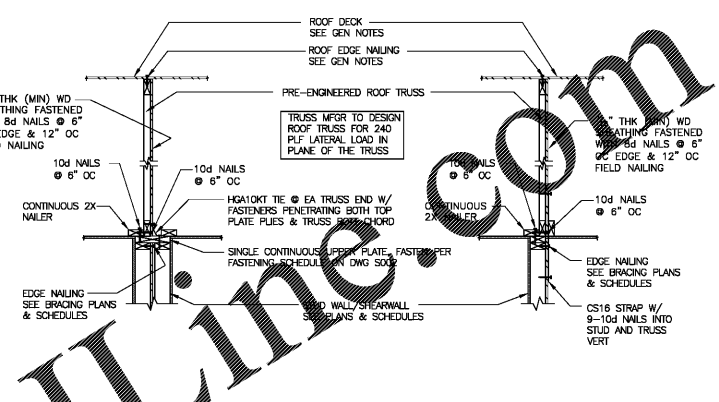
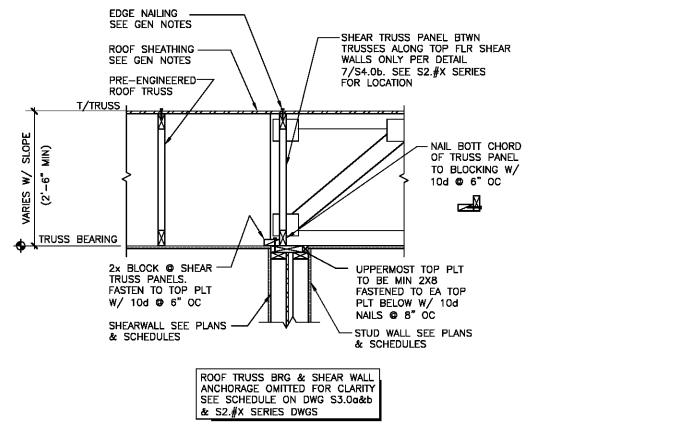
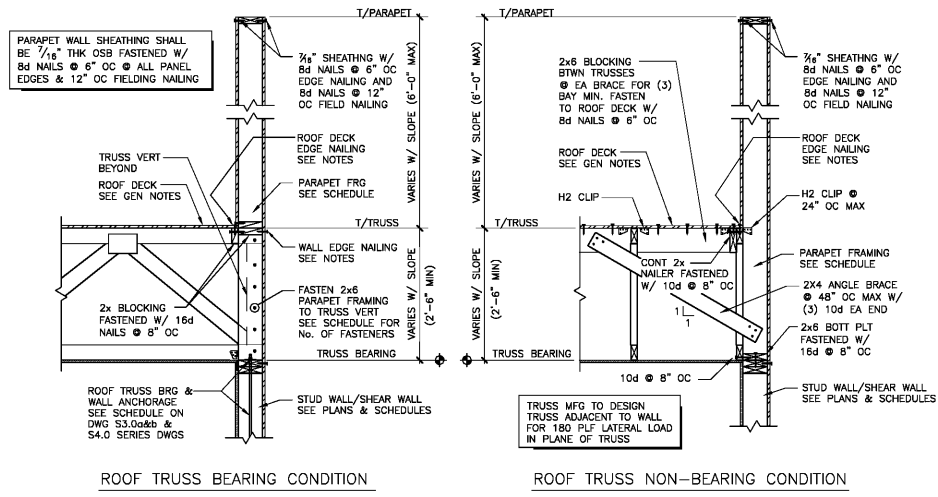


PARAPET FRAMING SCHEDULE			
HGT (ABOVE TRUSS TOP CHORD)	PARAPET FRAMING	FASTEN PARAPET FRAMING TO TRUSS VERT (1/58.1)	HORIZ DESIGN FORCE FROM PARAPET ONLY (TRUSS VERT TO T&B CHORDS UNFACTORED)
UP TO 4'-6"	1-2x6 @ 24" OC	6-10d COMMON	650 LBS
UP TO 6'-0"	2-2x6 @ 24" OC	9-10d COMMON	1000 LBS



ZPA

DAVIS CHURCH

STRUCTURAL ENGINEER

7905 Westside Parkway, Ste. 200
Alpharetta, GA 30009
(770) 412-1215

Project: 1928.00

CADD File: [redacted]

Drawn By: AVG

Checked By: TQ

Permit Release: May 15, 2020

Construction Release Set: May 15, 2020

Revisions	Date	Description

ASI / RFI Revisions

No.	Date	Description

© 2018 Davis & Church Architecture, LLC
Drawings and specifications are the intellectual property of Davis & Church Architecture, LLC and shall not be used or reproduced in whole or part in any form without prior written consent of Davis & Church Architecture, LLC.

Borough 33

an Apartment Community by
33 Broad MF, LLC
in Chattanooga, Tennessee

Drawing Title:
TYPICAL ROOF FRAMING
SECTIONS & DETAILS

S8.1

ISSUED FOR CONSTRUCTION