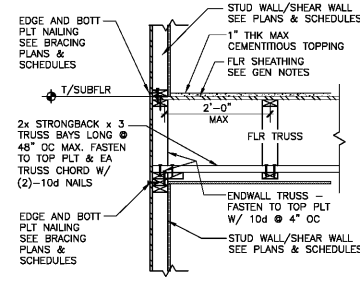
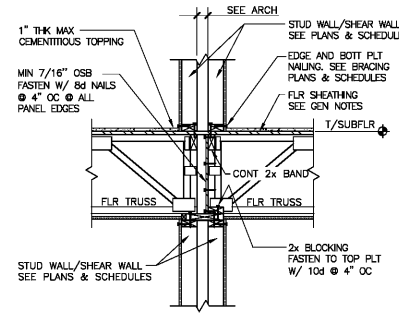


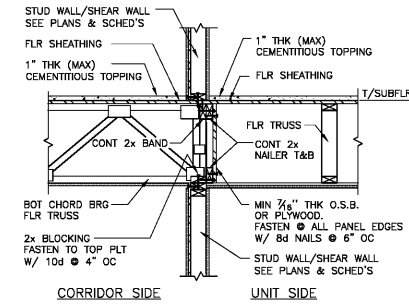
1 SECTION @ EXTERIOR WALL  
S7.1 SCALE: 3/4"=1'-0"



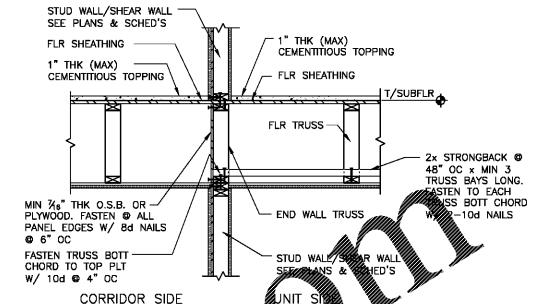
2 SECTION @ EXTERIOR WALL  
S7.1 SCALE: 3/4"=1'-0"



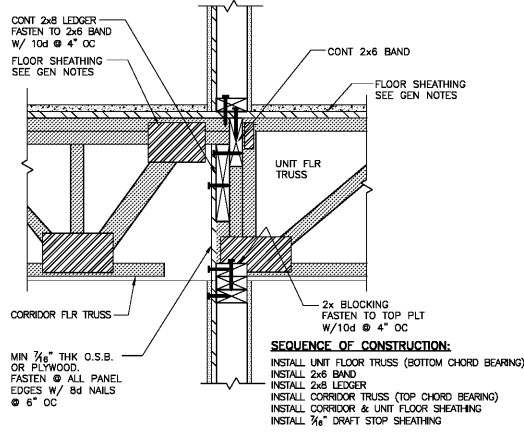
3 SECTION @ TENANT SEPARATION WALL  
S7.1 SCALE: 3/4"=1'-0"



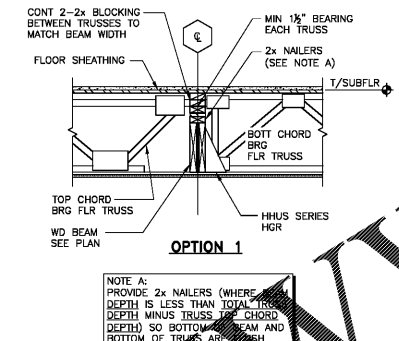
4 SECTION AT CORRIDOR WALL  
S7.1 SCALE: 3/4"=1'-0"



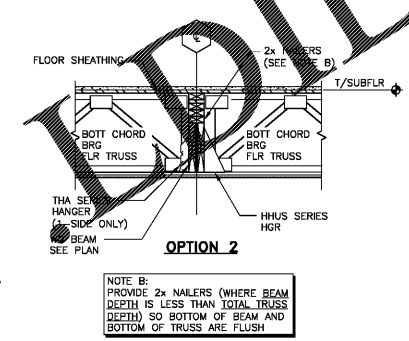
5 SECTION AT CORR WALL W/CORR & UNIT FLR TRUSSES BRG  
S7.1 SCALE: 3/4"=1'-0"



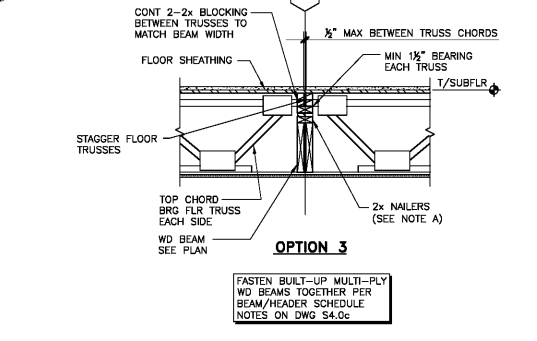
6 ENLARGED TRUSS BEARING DETAIL AT CORRIDOR  
S7.1 SCALE: N.T.S.



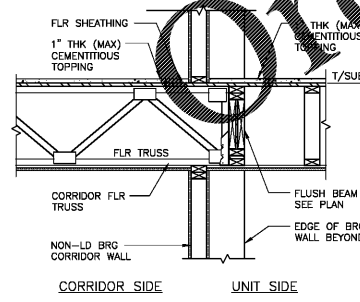
7 SECTION @ FLUSH BEAM (FLOOR FRAMING FROM BOTH SIDES)  
S7.1 SCALE: 3/4"=1'-0"



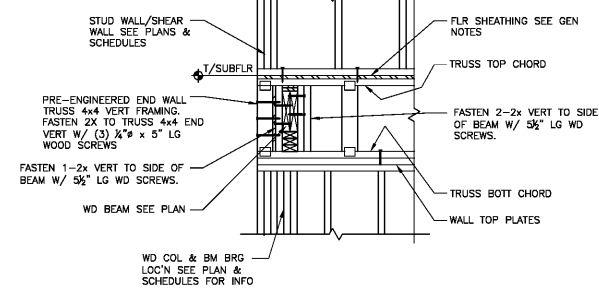
8 SECTION @ FLUSH BEAM (FLOOR FRAMING FROM ONE SIDE)  
S7.1 SCALE: 3/4"=1'-0"



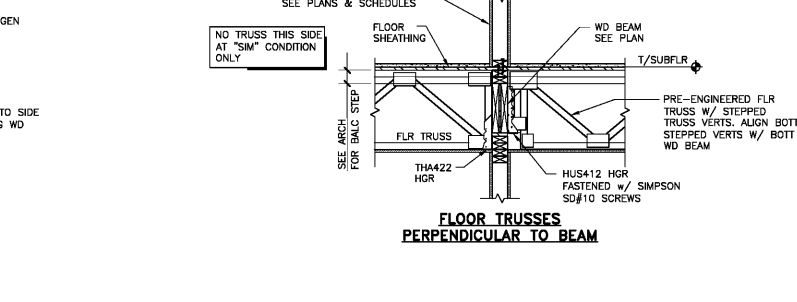
9 SECTION AT BALCONY  
S7.1 SCALE: 3/4"=1'-0"



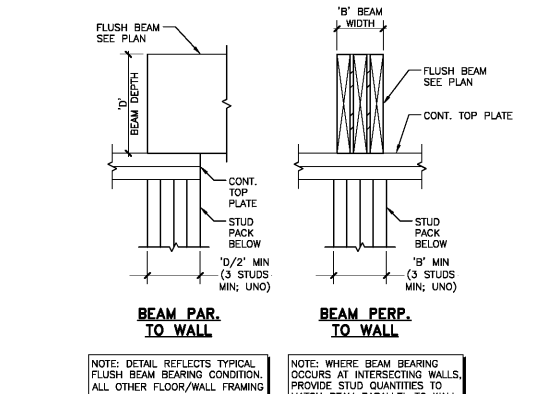
10 SECTION AT CORRIDOR WALL PROJECTION  
S7.1 SCALE: 3/4"=1'-0"



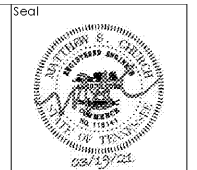
11 TYPICAL ELEVATION DETAIL AT BALCONY BEAM POCKETED IN WALL  
S7.1 N.T.S.



12 SECTION AT BALCONY CANTILEVER BEAM OVER INTERIOR BEARING WALL  
S7.1 SCALE: 3/4"=1'-0"



13 FLUSH BEAM BEARING DETAIL  
S7.1 SCALE: N.T.S.



**ZPA**  
PREEB & PREEB ARCHITECTURE  
3736 Westside Parkway, Suite 100  
Alpharetta, GA 30009  
Phone: 770.229.0213  
Fax: 770.229.0214  
WWW.ZPA.COM  
INC ESTD 1972

**DAVIS**  
**CHURCH**  
STRUCTURAL ENGINEER  
7905 Westside Parkway, Ste. 200  
Alpharetta, GA 30009  
(770) 462-1213

Project: 1928.00  
CADD File:  
Drawn By: AVG  
Checked By: TQ  
Permit Release:  
May 15, 2020  
Construction Release Set:  
May 15, 2020

Revisions	No.	Date	Description
	1	03/19/21	Owner Comments

ASI / RFI Revisions

No.	Date	Description

Borough 33  
an Apartment Community by  
33 Broad MF, LLC  
in Chattanooga, Tennessee

Drawing Title:  
FLOOR FRAMING  
SECTIONS & DETAILS

S7.1

Order Plans @ WWW.ArchLine.com

ISSUED FOR CONSTRUCTION