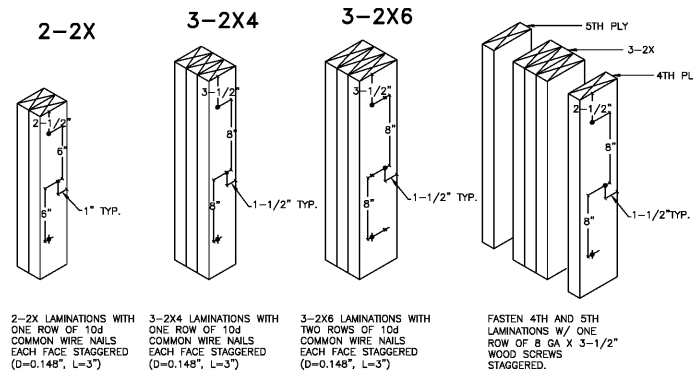


BEAM / HEADER SCHEDULE

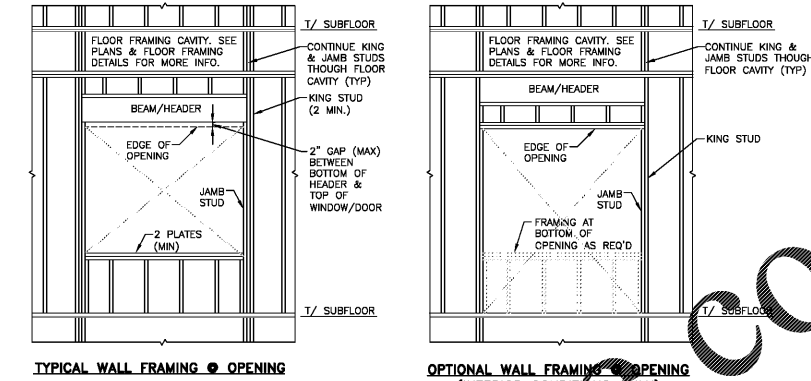
MARK	DESCRIPTION
#	DENOTES NUMBER OF PLYS IN BEAM
208-#	# PLYS - 2x8 BEAM
210-#	# PLYS - 2x10 BEAM
212-#	# PLYS - 2x12 BEAM
LVL10-#	# PLYS - 1 1/2" x 8 3/4" LVL BEAM
LVL12-#	# PLYS - 1 1/2" x 11 1/4" LVL BEAM
LVL14-#	# PLYS - 1 1/2" x 14" LVL BEAM
LVL16-#	# PLYS - 1 1/2" x 16" LVL BEAM
LVL18-#	# PLYS - 1 1/2" x 18" LVL BEAM
GL618	5/2" x 18" GLULAM BEAM
GL624	5/2" x 24" GLULAM BEAM
+	ADD'L 1/2" OR 3/8" WOOD FLITCH PLATE MATERIAL
PTL	PRESSURE TREATED LUMBER
FRL	FIRE RETARDANT SAW LUMBER
LVL	LAMINATED VENEER LUMBER
GL	GLULAM

BUILT UP COLUMN FASTENING PATTERNS



- BUILT-UP COL NOTES:**
- SEE BEAM / HEADER SCHEDULE NOTE #4 ON THIS SHEET FOR MIN REQUIREMENTS.
 - SEE DETAILS BELOW FOR FACE NAILING REQ'S OF BUILT-UP STUD COLS.

STUD WALL OPENING FRAMING ELEVATIONS



ADD'L STUD WALL FRAMING SCHEDULE

1-STORY BLDGS	EXTERIOR WALL	INTERIOR WALL
MISC BLDGS UP TO 11'-1 1/2" PLT	2x6 @ 16" oc	(2) 2x4 @ 12" oc

ADD'L JAMB / KING STUD SCHEDULE

LEVEL	WALL MARK	UP TO 3'-0" CLEAR WALL OPENING		UP TO 8'-0" CLEAR WALL OPENING		UP TO 14'-0" CLEAR WALL OPENING	
		EXTERIOR WALL	INTERIOR WALL	INTERIOR WALL	EXTERIOR WALL	INTERIOR WALL	EXTERIOR WALL
1-STORY	JAMB	2x4	2x6	2x4	2x6	2x4	2x6
1-STORY	KING	2-2x	1-2x	3-2x	1-2x	3-2x	1-2x

- JAMB / KING STUD SCHEDULE FOOTNOTES:**
- DENOTES WALL STUD TYPE NOT APPLICABLE AT THIS LEVEL OF THIS OPENING SIZE.

BEAM / HEADER SCHEDULE NOTES:

- SEE GENERAL NOTES FOR BEAM / HEADER MATERIAL SPECIES AND GRADE INFO.
- SEE GENERAL NOTES (NAILING SCHEDULE) FOR FASTENING MULTIPLE PLYS OF SOLID SAW LUMBER FOR BUILT-UP BEAMS / HEADERS. MULTI-PLY LVL BEAMS / HEADERS SHALL BE FASTENED TOGETHER FROM ONE SIDE AS FOLLOWS:
 - 2-PLY: 2 ROWS OF 1/4" DIA x 3 1/2" LONG WD SCREWS @ 12" OC STAGGERED
 - 3-PLY: 3 ROWS OF 1/4" DIA x 5" LONG WD SCREWS @ 12" OC STAGGERED
 - 4-PLY: 3 ROWS OF 1/4" DIA x 6 1/2" LONG WD SCREWS @ 12" OC STAGGERED
- THE MIN NUMBER OF WALL STUDS AT BEARING POINTS OF BUILT-UP MULTI-PLY FLUSH BEAMS SHALL MATCH THE NUMBER OF PLYS IN THE BEAM U.N.O. ALL LVL AND LSL FLUSH BEAMS SHALL HAVE A (3) STUD MIN BEARING. ALL ORDER FLOOR TRUSSES (GT) SHALL HAVE A (2) STUD MIN BEARING UNO ON PLAN. SEE JAMB/KING STUD SCHEDULE FOR MIN NUMBER OF STUDS REQUIRED @ THE ENDS OF ALL HEADERS OR DROP BEAMS. THE CENTERLINE OF THE BEAM OR GT SHALL MATCH THE CENTERLINE OF THE SUPPORTING WALL STUDS.

BUILT-UP COLUMN SCHEDULE

4-STORY BLDG	BC1				BC2			
	2x4		2x6		2x4		2x6	
	PLYS	CAPACITY	PLYS	CAPACITY	PLYS	CAPACITY	PLYS	CAPACITY
4TH LEVEL UP TO 10'-1 1/2" PLT	-	-	-	-	-	-	-	-
3RD LEVEL UP TO 9'-1 1/2" PLT	3-2x	6.8K	3-2x	16.4K	4-2x	9.0K	3-2x	16.4K
2ND LEVEL UP TO 9'-1 1/2" PLT	3-2x	6.8K	3-2x	16.4K	3.5x7.0 PSL COL	16.0K	3-2x	16.4K
1ST LEVEL UP TO 9'-1 1/2" PLT	5-2x	11.3K	3-2x	16.4K	3.5x9.25 PSL COL	21.1K	4-2x	25.0K

- BUILT-UP COLUMN SCHEDULE FOOTNOTES:**
- DENOTES COLUMN TYPE NOT APPLICABLE AT THIS LEVEL OF THIS COLUMN TYPE.

JAMB / KING STUD SCHEDULE (HEADER BEAM SUPPORTS)

LEVEL	WALL MARK	UP TO 3'-0" CLEAR WALL OPENING				UP TO 8'-0" CLEAR WALL OPENING				UP TO 9'-6" CLEAR WALL OPENING			
		EXTERIOR WALL (NON-FLR TRUSS BRG)		EXTERIOR WALL (W/ FLR TRUSS BRG)		EXTERIOR WALL (NON-FLR TRUSS BRG)		EXTERIOR WALL (W/ FLR TRUSS BRG)		EXTERIOR WALL (NON-FLR TRUSS BRG)		EXTERIOR WALL (W/ FLR TRUSS BRG)	
		WALL TYPE	WALL TYPE	WALL TYPE	WALL TYPE	WALL TYPE	WALL TYPE	WALL TYPE	WALL TYPE	WALL TYPE	WALL TYPE	WALL TYPE	
4-STORY	JAMB	2x4	2x6	2x4	2x6	2x4	2x6	2x4	2x6	2x4	2x6	2x4	2x6
4TH LEVEL UP TO 10'-1 1/2" PLT	KING	2-2x	1-2x	2-2x	1-2x	2-2x	1-2x	2-2x	1-2x	2-2x	1-2x	2-2x	1-2x
3RD LEVEL UP TO 9'-1 1/2" PLT	JAMB	1-2x	1-2x	1-2x	1-2x	1-2x	1-2x	1-2x	1-2x	1-2x	1-2x	1-2x	1-2x
3RD LEVEL UP TO 9'-1 1/2" PLT	KING	2-2x	1-2x	2-2x	1-2x	2-2x	1-2x	2-2x	1-2x	2-2x	1-2x	2-2x	1-2x
2ND LEVEL UP TO 9'-1 1/2" PLT	JAMB	1-2x	1-2x	1-2x	1-2x	1-2x	1-2x	1-2x	1-2x	1-2x	1-2x	1-2x	1-2x
2ND LEVEL UP TO 9'-1 1/2" PLT	KING	2-2x	1-2x	2-2x	1-2x	2-2x	1-2x	2-2x	1-2x	2-2x	1-2x	2-2x	1-2x
1ST LEVEL UP TO 9'-1 1/2" PLT	JAMB	1-2x	1-2x	1-2x	1-2x	1-2x	1-2x	1-2x	1-2x	1-2x	1-2x	1-2x	1-2x
1ST LEVEL UP TO 9'-1 1/2" PLT	KING	2-2x	1-2x	2-2x	1-2x	2-2x	1-2x	2-2x	1-2x	2-2x	1-2x	2-2x	1-2x

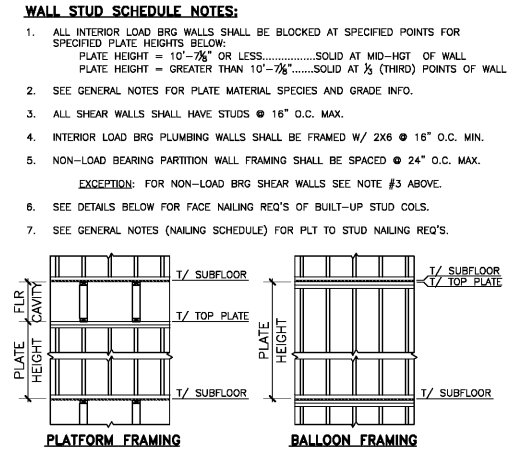
- JAMB / KING STUD SCHEDULE FOOTNOTES:**
- DENOTES WALL STUD TYPE NOT APPLICABLE AT THIS LEVEL OF THIS OPENING SIZE.

TYPICAL WALL STUD FRAMING SCHEDULE

LEVEL	WALL MARK	AA		BB	CC	DD	EE	FF	
		W/O UNIT BRG	WITH UNIT BRG						
		WALL TYPE	WALL TYPE						
4-STORY	JAMB	2x4	2x6	2x4	2x6	2x4	2x6	2x4	2x6
4TH LEVEL UP TO 10'-1 1/2" PLT	KING	1016	1016	1016	1016	1016	1016	1016	1016
3RD LEVEL UP TO 9'-1 1/2" PLT	JAMB	1012	1016	1012	1016	1012	1016	1012	1016
3RD LEVEL UP TO 9'-1 1/2" PLT	KING	-	-	-	-	-	-	-	-
2ND LEVEL UP TO 9'-1 1/2" PLT	JAMB	1012	1016	1012	1016	1012	1016	1012	1016
2ND LEVEL UP TO 9'-1 1/2" PLT	KING	-	-	-	-	-	-	-	-
1ST LEVEL UP TO 9'-1 1/2" PLT	JAMB	*2024 + 1024	1012	*3024 + 1024	2012	*3024 + 1024	1012	*4024 + 1024	*2024 + 1024
1ST LEVEL UP TO 9'-1 1/2" PLT	KING	-	-	-	-	-	-	-	-

- WALL STUD FRAMING SCHEDULE FOOTNOTES:**
- SEE ARCH DWGS FOR WALL TYPE (2x4 OR 2x6) AND REFER TO SCHEDULE FOR STUD SPACING.
 - DENOTES TO ALIGN STUD PACK W/ TRUSS BRG POINT ABOVE & BELOW AND INSTALL ADDITIONAL SINGLE STUD MIDWAY BETWEEN STUD PACKS. WHERE TRUSSES ARE SKEWED FROM PERPENDICULAR TO STUD WALL TRUSS BEARING POINTS ARE BEYOND 24" OC ALONG STUD WALL THEREFORE STUD PACK SPACING SHALL INCREASE TO MATCH TRUSS BEARING POINTS.
 - DENOTES WALL STUD TYPE NOT APPLICABLE AT THIS LEVEL OF THIS WALL TYPE.

- JAMB / KING STUD SCHEDULE NOTES:**
- JAMB / KING STUD FRAMING MATERIAL IS AS FOLLOWS:
 - JAMB: (SEE STUD SCHEDULE NOTES ABOVE)
 - KING: (SEE STUD SCHEDULE NOTES ABOVE)
 - "JAMB STUD" REFERS TO THE STUD OR STUDS SUPPORTING THE ENDS OF A HEADER.
 - "KING STUD" REFERS TO THE STUD OR STUDS ADJACENT TO JAMB STUDS AND SPANNING FULL HGT FROM PLT TO PLT.
 - SEE DETAILS ON THIS DWG FOR FACE NAILING REQ'S OF BUILT-UP STUD COLS.
 - SEE GENERAL NOTES (NAILING SCHEDULE) FOR PLT TO STUD NAILING REQ'S.
 - FOR ALL EXTERIOR WALL OPENINGS GREATER THAN 4'-0" IN WIDTH, PROVIDE A MIN OF 2 KING POSTS (BOTH LOAD BRG AND NON-LOAD BRG WALLS).



Project: 1928.00
 CADD File:
 Drawn By: AVG
 Checked By: TQ
 Permit Release:
 May 15, 2020
 Construction Release Set:
 May 15, 2020
 Revisions
 No. Date Description

ASI / RFI Revisions
 No. Date Description

Borough 33
 an Apartment Community by
 33 Broad MF, LLC
 in Chattanooga, Tennessee

Drawing Title:
 WOOD BEAM HEADER &
 STUD WALL SCHEDULE &
 INFO

S4.0c

ISSUED FOR CONSTRUCTION