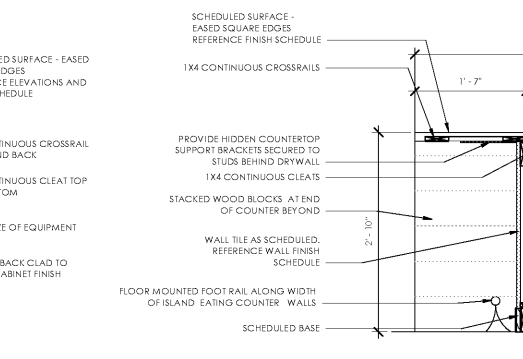
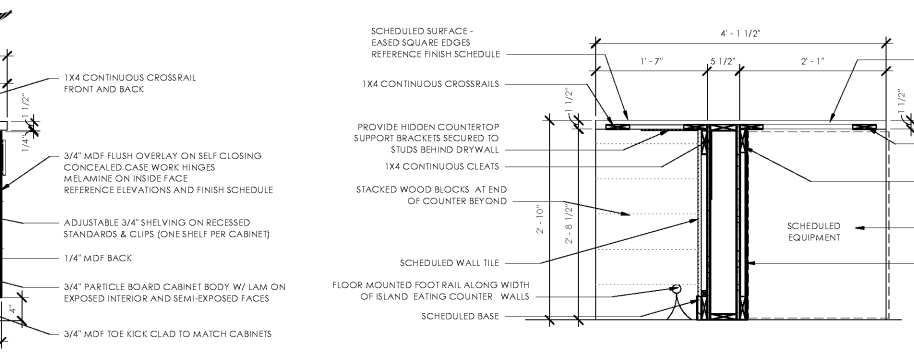
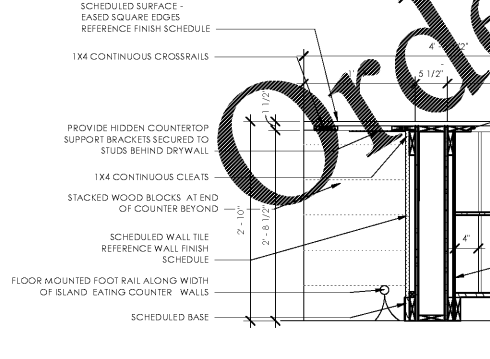
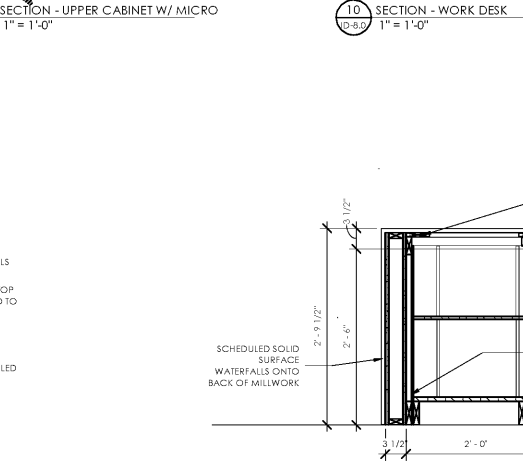
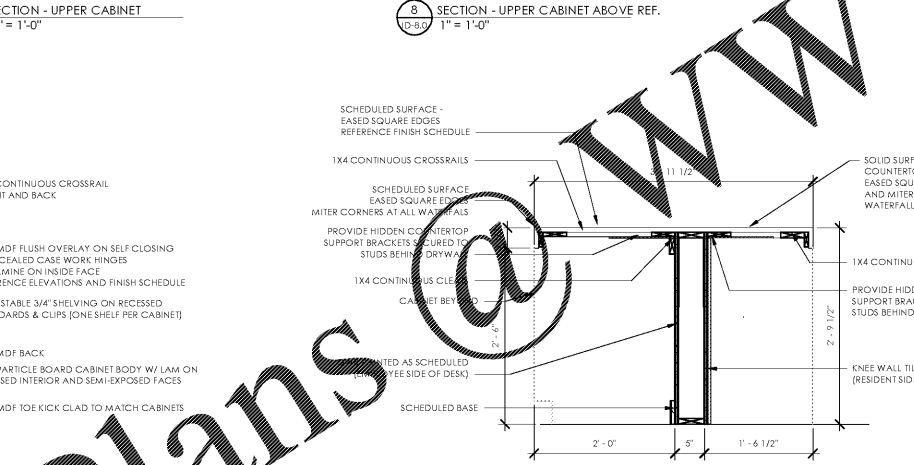
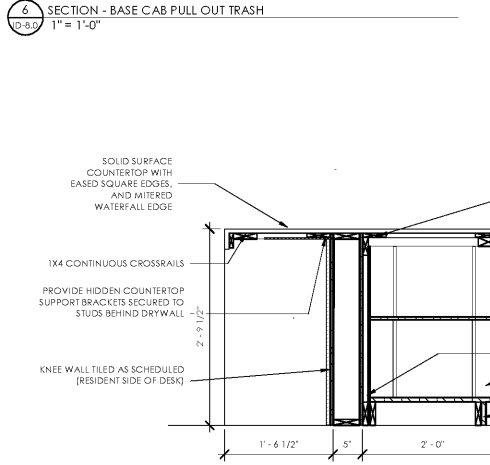
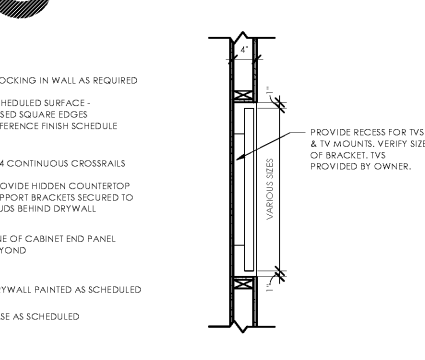
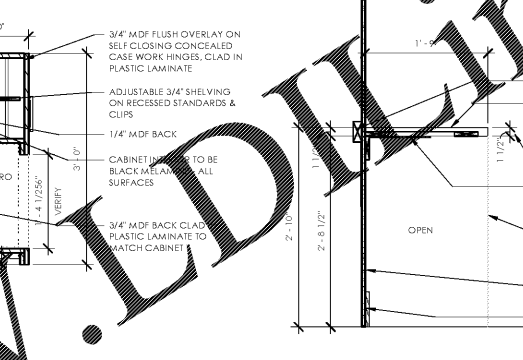
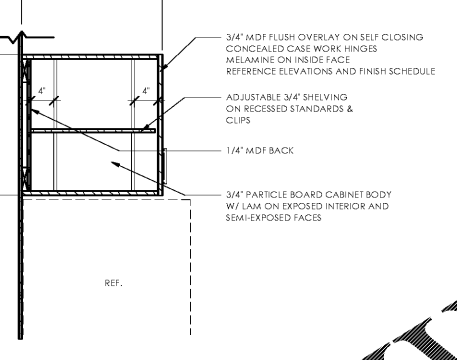
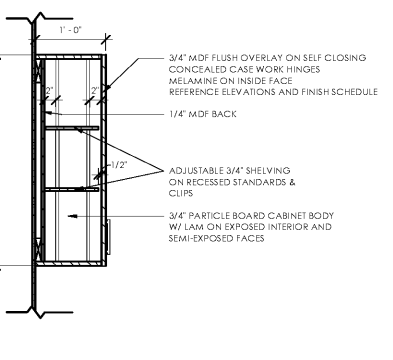
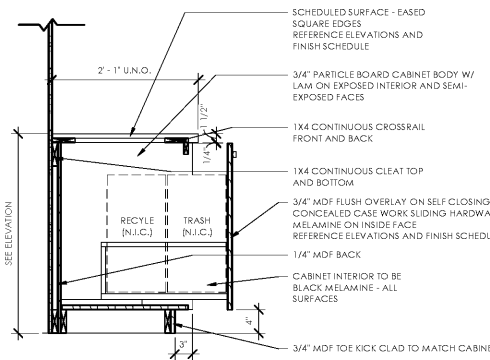
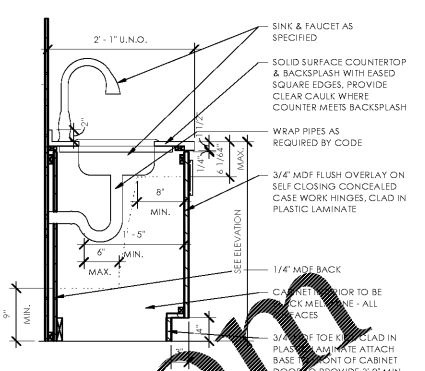
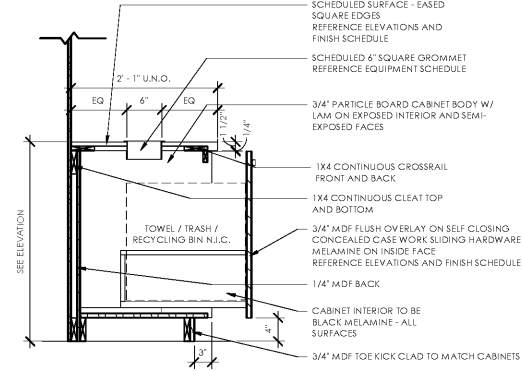
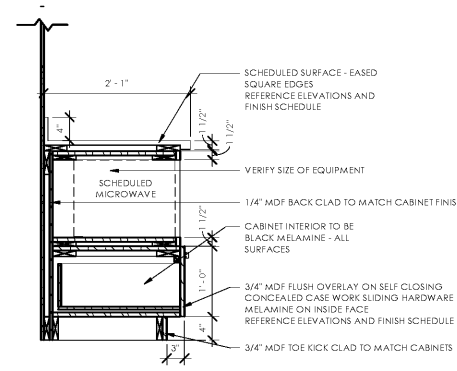
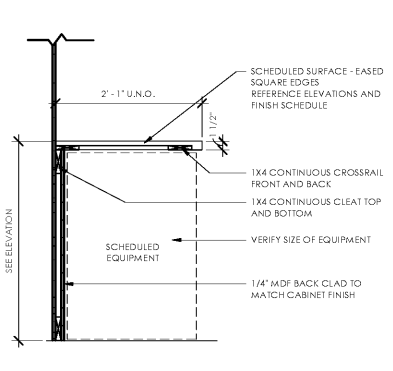
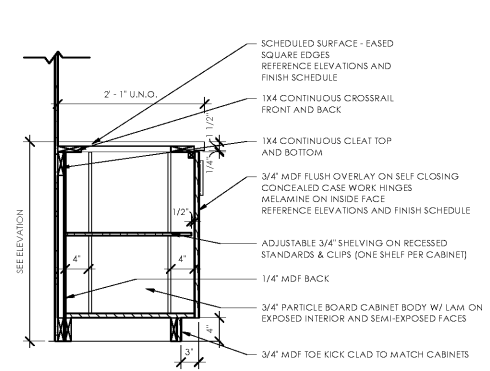


| HISTORY |                        |
|---------|------------------------|
| NO. 214 | DESIGN DEVELOPMENT SET |
| NO.     | PREP SET               |
|         |                        |
|         |                        |
|         |                        |
|         |                        |
|         |                        |
|         |                        |
|         |                        |
|         |                        |

| REVISIONS |  |
|-----------|--|
|           |  |
|           |  |
|           |  |
|           |  |
|           |  |
|           |  |
|           |  |
|           |  |
|           |  |

© COPYRIGHT 2015 CROSBY DESIGN GROUP  
THIS DRAWING IS THE PROPERTY OF THE INTERIOR DESIGNER AND MAY NOT BE REPRODUCED OR USED WITHOUT THE WRITTEN PERMISSION.

**FOUNDRY33**  
**CHATTANOOGA, TN**



15 SECTION - ISLAND BASE CABINET  
1" = 1'-0"

16 SECTION - ISLAND BASE CABINET W/ EQUIPMENT  
1" = 1'-0"

17 SECTION - ISLAND BASE CABINET W/ PULL OUT TRASH  
1" = 1'-0"

Order Plans @ [www.edline.com](http://www.edline.com)

DATE: 05/07/2020

**FOUNDRY33**

SECTIONS & DETAILS

SHEET NO. **ID-8.0**

NOT ISSUED FOR CONSTRUCTION  
ISSUED FOR CONSTRUCTION

5/17/2020 4:04:48 PM