

SCHEDULE - AMENITY CEILING FINISH							
KEY	DESCRIPTION	MANUFACTURER	STYLE/MODEL #	COLOR/FINISH	LOCATION	COMMENTS	CONTACT
<b>ACOUSTICAL CEILING TILE</b>							
AC-1	ACOUSTICAL CEILING TILE	ARMSTRONG CEILINGS	MODEL # 1206 / SINGLE RAISED PANEL / 24" X 24"	WHITE	KITCHEN CEILING INSIDE SOFFIT TRAY		\$2.50 / SF JOSEPH (JOEY) TEETER 770.262.3955
<b>BRICK</b>							
BR-1	THIN BRICK & MORTAR	MERIDIAN BRICK	AUTHENTIC BRICK / KING STYLE	RIVERBEND	APPLIED TO ARCHED SURFACE OF OPENING BETWEEN CLUBROOM AND GAME ROOM	MORTAR TBD / RIVERBEND COLOR & MADE TO ORDER - ALLOW 4 TO 6 WEEKS	\$6.50 - \$7.50 / SF NELSON BOURDAGE 678.230.0417
<b>METAL</b>							
MTL-1	CORRUGATED METAL PANELS	GIBRALTER	CORRUGATED GALVANIZED STEEL UTILITY GAUGE ROOF PANELS	GALVANIZED STEEL	FITNESS		
MTL-2	STEEL	TBD	STEEL METAL SHEETS AND EXTRUSIONS WELDED TOGETHER TO CREATE FAUX METAL BEAM	RUSTED STEEL	CLUBROOM	TBD	
MTL-3	STEEL SUPPORT BEAMS	PER GC	STEEL BEAMS	GALVANIZED STEEL	LEASING LOBBY FEATURE WALL SUPPORT / SEE ELEVATIONS FOR EXACT LOCATION	SUBMIT FINISHED SAMPLE FOR DESIGNER APPROVAL	
<b>PAINT</b>							
PT-3	PAINT	SHERWIN WILLIAMS	EMERALD INTERIOR ACRYLIC LATEX	SW 7006 EXTRA WHITE / SATIN	GWB CEILINGS U.N.O.		MATTHEW HEALD 404.333.2263
PT-9	EXTERIOR PAINT	SHERWIN WILLIAMS	EXTERIOR SUPER FLAT LATEX	SW 7006 EXTRA WHITE / SATIN	FITNESS EXTERIOR CORRIDOR CEILINGS		MATTHEW HEALD 404.333.2263
PT-1	PAINT	SHERWIN WILLIAMS	EMERALD INTERIOR ACRYLIC LATEX	SW 7446 FIRST STAR / SATIN	FITNESS PERIMETER SOFFIT		MATTHEW HEALD 404.333.2263
<b>SKIM COAT CONCRETE</b>							
CON-1	SKIM COAT CONCRETE	ROSALIA	SUPER FINE CREMA / MICRO TOPPING	WHITE WITH DYE / COLOR MIXED TO MATCH SW 7449 SILVERPLATE	LOBBY	FINISH TO BE APPROVED BY DESIGNER IN FIELD	STACY/BART 888.824.3383
<b>WOOD</b>							
WD-1	WOOD	PER GC	2" X 4" WHITE OAK WOOD PLANKS	STAINED TO MATCH WDW-1	FITNESS	APPLIED TO GWB CEILING TO BREAK UP MTL-1 PANELS / SUBMIT FINISHED WOOD SAMPLE FOR DESIGNER APPROVAL	
WD-2	RECLAIMED WOOD	BEECH CREEK TIMBER	1X4 RECLAIMED WOOD PIECES - COLOR TBD BY DESIGNER WHEN ORDERING	NATURAL / NEUTRAL SEALANT	LEASING LOBBY / OFFICE ENTRANCE HEADER	TO WRAP ALL EXPOSED SIDES OF FURRED OUT HEADER / MITER CORNERS	\$4.50 / SF BEECH CREEK TIMBER 678.799.4377
<b>WOOD VENEER</b>							
WDV-1	WOOD VENEER	KOROSEAL	A-BBOR WOOD WALLCOVERING / RECON STEEL FRAME PLANK / W561 SCUM	ENCHANTED	OFFICE / CONFERENCE / GAME ROOM	TO BE APPLIED TO FAUX BEAM FUR CUTS ON CEILINGS / MITER CORNERS	\$10.86 / SF MAUREEN GUNDAKER 604.432.1016

SCHEDULE-AMENITY LIGHT FIXTURE							
KEY	DESCRIPTION	MANUFACTURER	STYLE/MODEL #	COLOR	LAMP TYPE	LOCATION	BUDGET CONTACT
A	RECESSED ROUND LED DOWNLIGHT	SLG LIGHTING	DF ULTRA THIN RECESSED DOWNLIGHT SERIES / DF 4R 7 CI 9F5 / 10W 650 LUMENS 20V 90 CRI	WHITE	LED 3000K	THROUGHOUT	JOHN WOMACK 912.541.3443
B	GLIMPSE SURFACE MOUNTED LED FIXTURE	LIGHTING SCIENCE	GLPG WW WH	WHITE	LED 3000K	WORK ROOM / AV ROOM / MAINTENANCE / KEY TRACK / MECHANICAL / WATER ROOM / MODEL UNIT ROOM / PARCEL ROOM / POOL EQUIPMENT ROOM / PET SPA / FITNESS RESTROOM CORRIDOR	JOHN WOMACK 912.541.3443
C	LINEAR SUSPENSION	TECH LIGHTING	MERGE 1.5 SUSPENDED LINEAR SYSTEM - 8 FT LENGTH / S151-B-H-0B35-W-ELVD / S151-FK1-S404-W / S151-PRM-W	WHITE	LED 3500K	FITNESS	
D	LED TAPE LIGHT	DIODE LED	BLAZE BASICS 200 WET LOCATION LED TAPE LIGHT / D124V-B1835C235-016 / VM1-60-24		LED 3500K	FITNESS MIRRORS / FITNESS AMENITY RESTROOM MIRRORS	
E	PENDANT	GENERATION LIGHTING	EP1161 WOV / 1 LIGHT LARGE PENDANT / 24" W X 13.5" H	WEATHERED ZINC	1 E26 LED BULB 3000K	LOBBY	\$497.90
F	PENDANT	EGLO	20199A / GAETANO BLACK / GOLD PENDANT / 23.6" DIAMETER	BLACK / GOLD	LED 3000K	MAIL / COFFEE LOUNGE	\$309.40
G	LINEAR SUSPENSION W/ PENDANTS	ILLUMINATIONS	BOVER SKYBELL LINEAR 3/7L/20 / 71.65" W X 29.53" H	EBONY BLACK	LED 2700K	MAILROOM WINDOW COUNTER	
H	ROUND CHANDELER	KICHLER LIGHTING	438575N / ERZO 8 LIGHT CHANDELER / 35.5" W X 9.25" H	SATIN NICKEL	(8) EDISON TUBE E12 LED BULBS 3000K	CONFERENCE	\$572.80
I	MINI PENDANT	KICHLER LIGHTING	44255WZC / GAVIN 1 LIGHT PENDANT / 10" W X 13.75" H	WAFFLE GLASS & WEATHERED ZINC	1 E26 LED BULB 3000K	KITCHEN	\$256.00
J	UNIT VANITY SCIENCE	KICHLER LIGHTING	45886N1 / WINSLOW 3-LIGHT VANITY SCIENCE	BRUSHED NICKEL	(3) E26 LED BULB 3000K	MODEL UNIT ROOM	\$122.58
K	CHANDELER	CIRCA LIGHTING	108590 / OSIRIS LARGE REFLECTOR CHANDELER / 54" W X 21.5" H	SATIN NICKEL	(8) E26 LED BULBS 3000K	GAME ROOM	\$2,400.00
L	MINI PENDANT	KICHLER LIGHTING	44147PN KARMARIE 1 LIGHT MINI PENDANT / 5.5" W X 8.75" H	BRONZE & HAND-RUBBED ANTIQUE BRASS	1 E26 LED BULB 3000K	CLUBHOUSE AMENITY RESTROOMS	\$86.16
M	CEILING FAN	CIRCA LIGHTING	60" MAVERICK CEILING FAN 3MAV960838K / 60" DIA.		N/A	FITNESS	\$581.00 SEAN TAUBER 770.820.5118

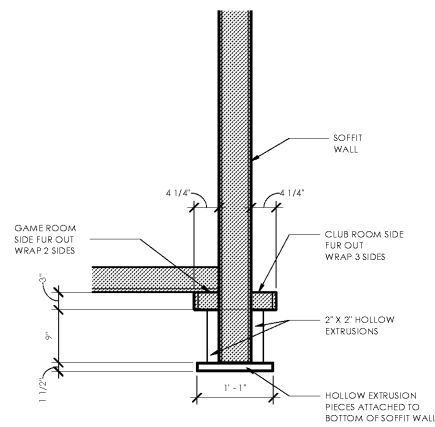
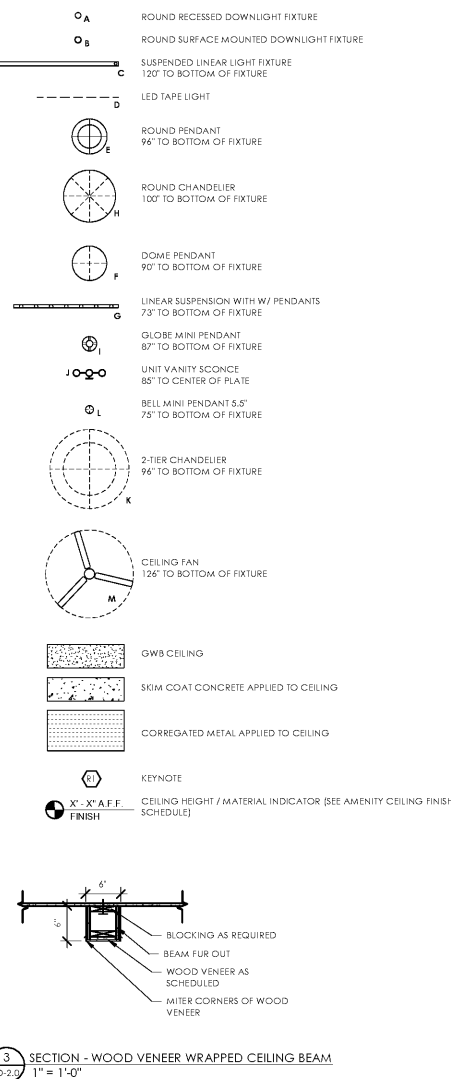
**REFLECTED CEILING GENERAL NOTES**

- REFER TO ENGINEERING DRAWINGS FOR SWITCHING, CIRCUIT AND LOADS.
- ALL SWITCH COVERPLATES TO BE LOCATED PER PROVIDED DETAILS. TWO OR MORE ADJACENT SWITCHES ARE TO BE GANGED WITH A COMMON FACEPLATE. IF THEY CANNOT BE GANGED, THEY SHALL BE INSTALLED WITH MINIMUM DISTANCE BETWEEN DEVICES. FINISH TO BE WHITE, UNLESS NOTED OTHERWISE.
- SEE ENGINEER'S DRAWINGS FOR LIFE SAFETY DEVICES, SWITCHING, CIRCUITING AND HVAC/AIR DISTRIBUTION REQUIREMENTS.
- EXACT SPRINKLER LOCATIONS SHALL BE DETERMINED BY A STATE LICENSED SPRINKLER CONTRACTOR TO COMPLY WITH LOCAL BUILDING AND FIRE CODES.
- LOCATE ELECTRICAL DEVICES AND LIFE SAFETY DEVICES IN CENTER OF ACOUSTICAL CEILING TILE, UNLESS NOTED OTHERWISE.
- ALL SPRINKLER HEADS/ESCUCTION PLATE FINISHES ARE TO BE SUBMITTED TO THE DESIGNER FOR APPROVAL PRIOR TO ORDERING AND/OR INSTALLATION. CENTER SPRINKLER HEADS IN CEILING TILES WHERE APPLICABLE.
- THE CONTRACTOR SHALL NOTIFY THE DESIGNER IMMEDIATELY OF ANY OBSTRUCTIONS PREVENTING LIGHT FIXTURES OR CEILING ELEMENTS FROM BEING LOCATED AS SHOWN IN THE DRAWINGS.
- COORDINATE WITH DESIGNER OF SIZE AND LOCATION OF ALL ACCESS PANELS REQUIRED IN NON-ACCESSIBLE CEILING.
- COORDINATE WITH DESIGNER FOR LOCATION OF ALL GWB ACOUSTICAL DEVICES, INCLUDING AV EQUIPMENT & LIGHTING HEADS. FOR TO INSTALLATION, PROVIDE DETAILS AND DRAWINGS FOR REVIEW AND APPROVAL.
- VENTS, GRILLES AND ACCESS PANELS SHALL BE SUBMITTED TO DESIGNER FOR APPROVAL OF COLOR, FINISH TO ORDER AND/OR INSTALLATION.
- ALL GWB CEILING FINISHES SHALL BE COORDINATED WITH DESIGNER IF EXPANSION JOINTS ARE NEEDED. THEY CAN BE INCORPORATED INTO THE DESIGN.
- COORDINATE WITH DESIGNER IN FIELD EXACT LOCATION & MOUNTING HEIGHT OF PENDANT LIGHTS. U.N.O.
- ALL DIMENSIONS INDICATED ON PLAN ARE FROM CENTERLINE OF FIXTURE, UNLESS NOTED OTHERWISE.
- REFERENCE ARCHITECTURAL AND ELECTRICAL DRAWINGS FOR CORRIDORS, MAINTENANCE AREAS AND UNIT LIGHTING PLANS AND INFORMATION.
- REFERENCE DRAWINGS BY ARCHITECT AND MEP ENGINEER FOR FIREPLACE VENTILATION DETAILS.
- PROVIDE 2" WHITE LINEAR CEILING MOUNTED SLOT DIFFUSERS/RETURNS THROUGHOUT AMENITY AREAS. SEE ENGINEER'S DRAWINGS FOR EXACT SPECIFICATION, SIZE AND LOCATION. 2" MIN.

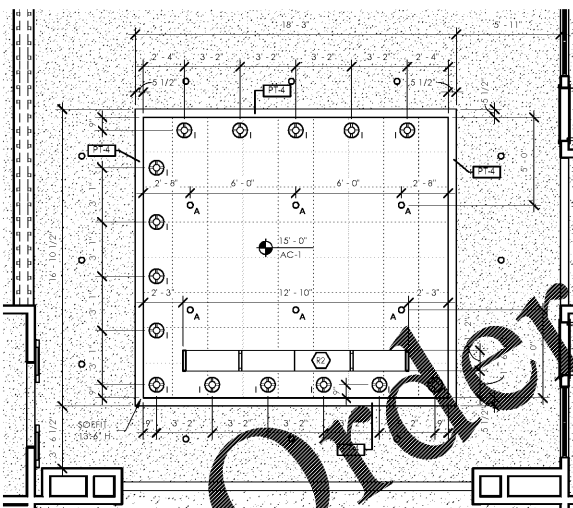
**KEY NOTES- REFLECTED CEILING PLAN**

- GWB CEILING THROUGHOUT SHALL BE PAINTED PT-3 U.N.O.
- PROVIDE BLOCKING/STEEL SUPPORT IN CEILING FOR SUSPENDED METAL/WOOD SHELVING UNIT TO ATTACH TO. VERIFY WITH MANUFACTURER ALL REQUIREMENTS FOR STABILIZATION AND SECURITY. SEE MILLWORK FINISH SCHEDULE.
- ALL WALL SURFACES OF 10'0" ARCHWAY TO BE TILED WITH BR-1. SEE WALL FINISH SCHEDULE.
- LED TAPE LIGHT FIXTURE TO BE ATTACHED TO BACK OF MIRRORS AROUND ALL EDGES. SEE ELEVATIONS AND SECTIONS FOR DETAILS.

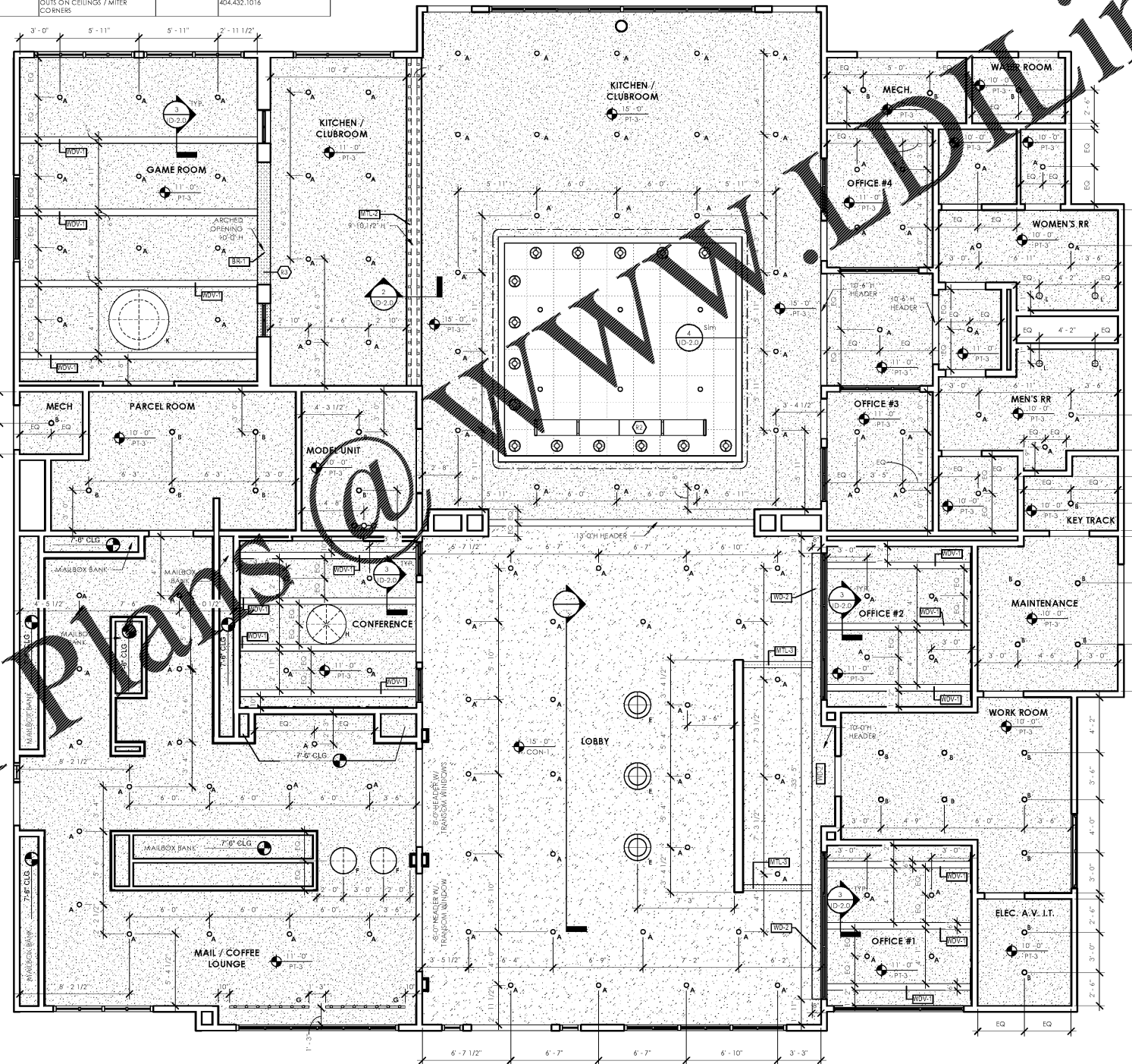
**CEILING SYMBOL LEGEND**



**2 SECTION - FAUX STEEL BEAM**  
1" = 1'-0"



**4 DETAIL - AMENITY CLUBHOUSE KITCHEN REFLECTED CEILING PLAN**  
1/4" = 1'-0"



**1 REFLECTED CEILING PLAN - CLUBHOUSE AMENITY BUILDING**  
1/4" = 1'-0"

**3 SECTION - WOOD VENEER WRAPPED CEILING BEAM**  
1" = 1'-0"



**Crosby Design Group**  
Interior Design Firm  
1440 Dutch Valley Place  
Suite 755  
Atlanta, Georgia 30324  
404.872.9777 tel  
www.crosbydesigngroup.com

HISTORY	
DATE	DESIGN DEVELOPMENT SET
NO.	PREP SET

REVISIONS	

© COPYRIGHT 2015 CROSBY DESIGN GROUP  
THIS DRAWING IS THE PROPERTY OF THE INTERIOR DESIGNER AND MAY NOT BE REPRODUCED OR USED WITHOUT HIS WRITTEN PERMISSION.

**FOUNDRY33**  
**CHATTANOOGA, TN**

DATE 06/01/2020

**FOUNDRY33**

SHEET TITLE  
**REFLECTED CEILING PLAN - CLUBHOUSE AMENITY BUILDING**

SHEET NO.  
**ID-2.0**

NOT ISSUED FOR CONSTRUCTION  
ISSUED FOR CONSTRUCTION

5/11/2020 3:56:47 PM