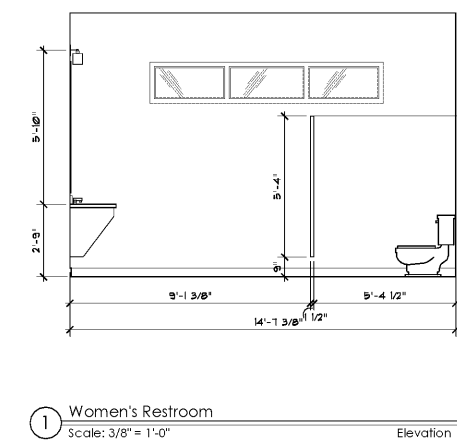
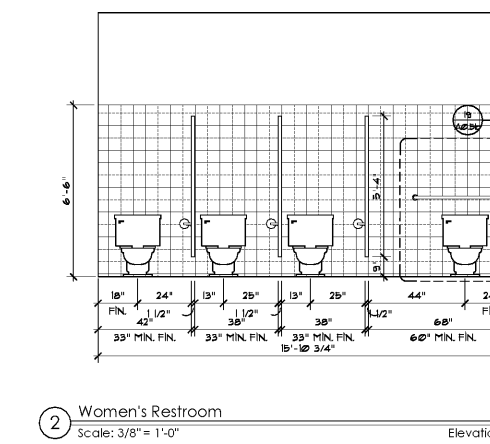
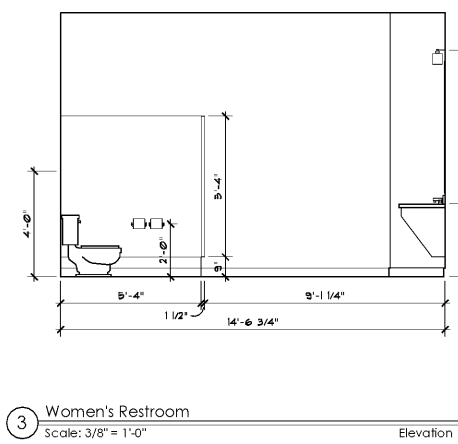
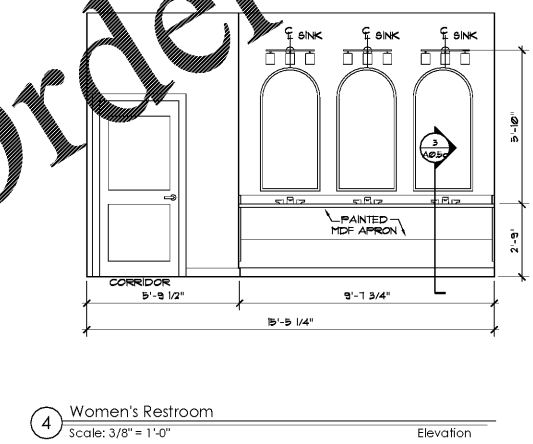
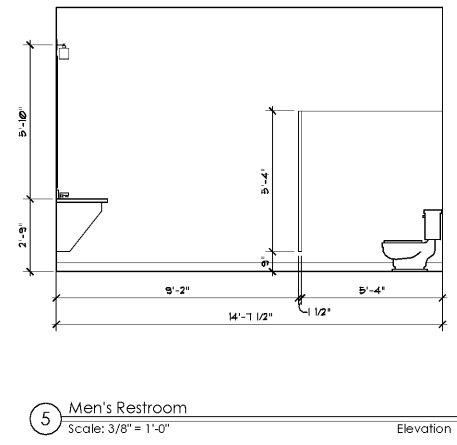
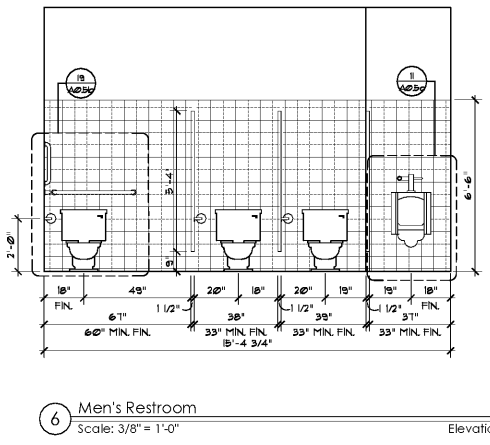
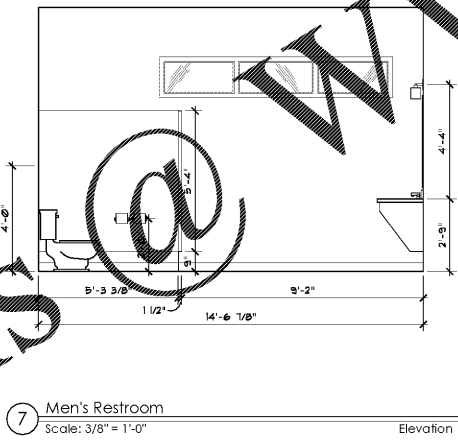
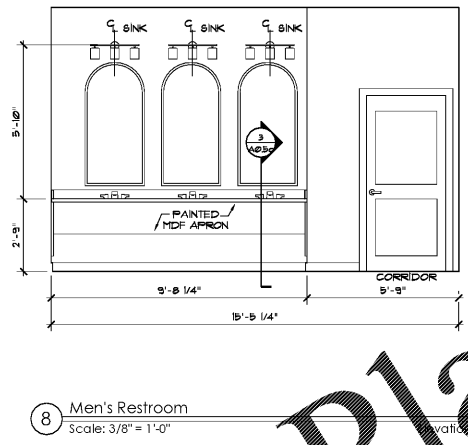
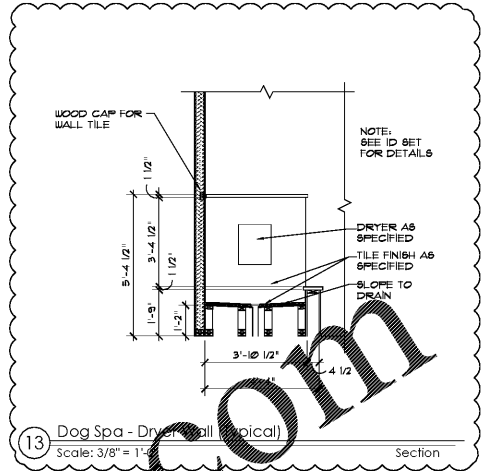
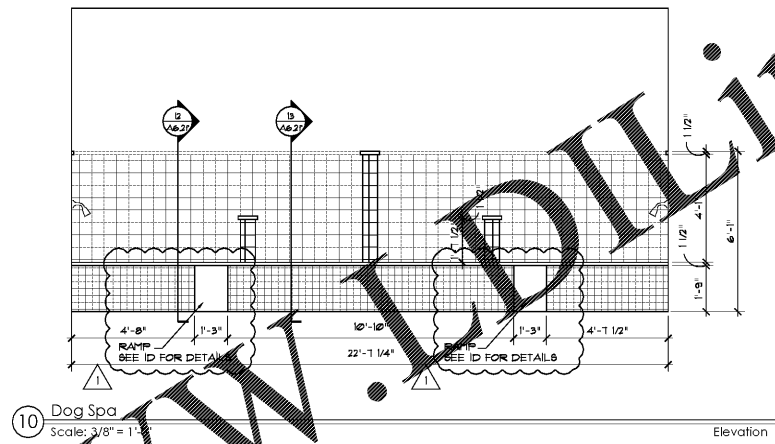
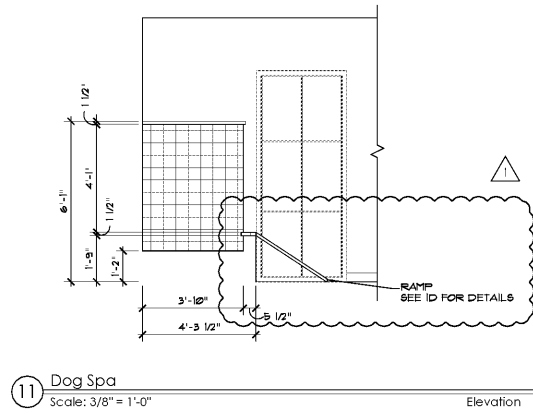
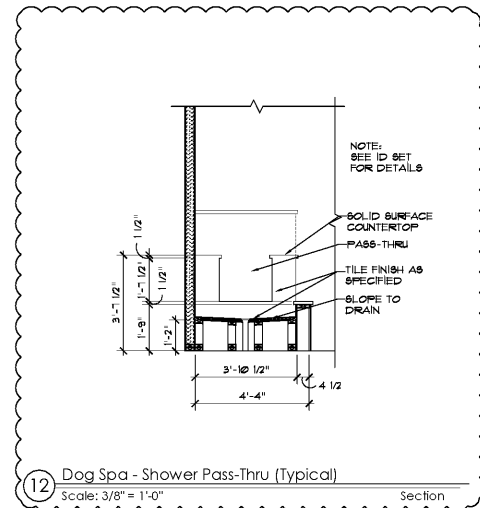


NOTE:  
REFER TO ID SET FOR  
ADDITIONAL INFORMATION ON  
INTERIOR ELEVATIONS.



Order Plans @ WWW.IDLine.com

Seal

March 19, 2021

**ZPA**

**POOL & POOL ARCHITECTURE**  
3736 Winterfield Road, Suite 102  
Midlothian, Virginia 23113  
Telephone 804.225.0215  
www.zpa.net

Project: 1928.00  
CADD File: MSAM  
Drawn By: NVK  
Checked By: SGS

Permit Release:  
May 15, 2020  
Construction Release Set:  
May 15, 2020

Revisions

No.	Date	Description
1	03/19/21	Owner Comments

ASI / RFI Revisions

No.	Date	Description
-----	------	-------------

**Borough 33**  
an Apartment Community by  
33 Broad MF, LLC  
in Chattanooga, Tennessee

Drawing Title:  
Fitness Interior  
Elevations

**A6.2f**

ISSUED FOR CONSTRUCTION