

Project: 1928.00
 CADD File: MSWS
 Drawn By: NVK
 Checked By: SGS

Permit Release:
 May 15, 2020
 Construction Release Set:
 May 15, 2020

Revisions

No.	Date	Description
1	03/19/21	Owner Comments

ASI / RFI Revisions

No.	Date	Description
-----	------	-------------

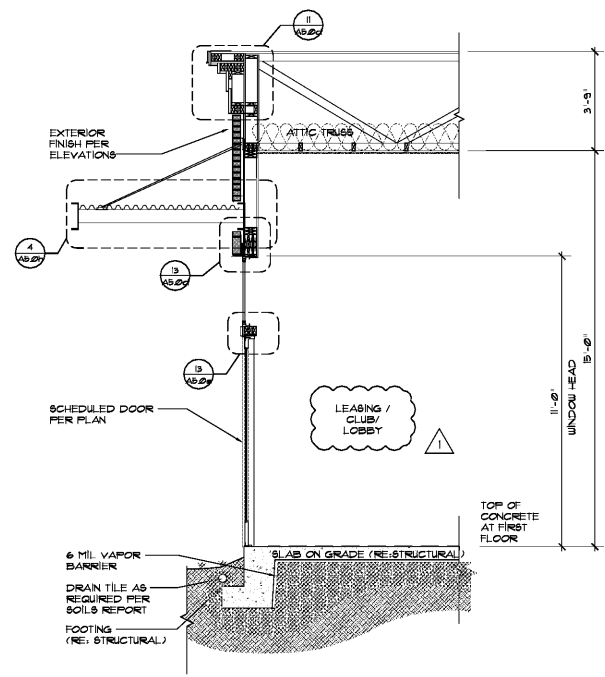
© 2019 Poole & Poole Architecture, LLC.
 Drawings and specifications are not to be relied upon without the consent of Poole & Poole Architecture, LLC and shall not be used for any other project without the written consent of Poole & Poole Architecture, LLC.

Borough 33
 an Apartment Community by
 33 Broad MF, LLC
 in Chattanooga, Tennessee

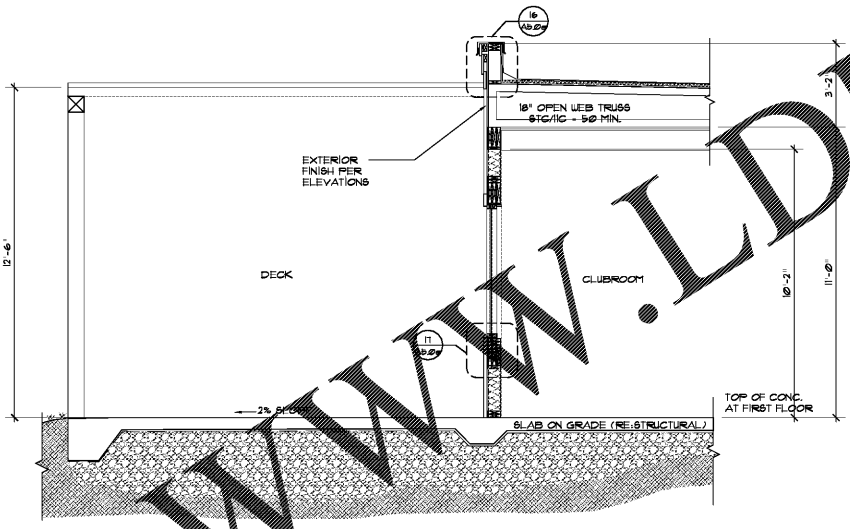
Drawing Title:
 Typical Exterior Wall Sections
 at Clubhouse

A6.1h

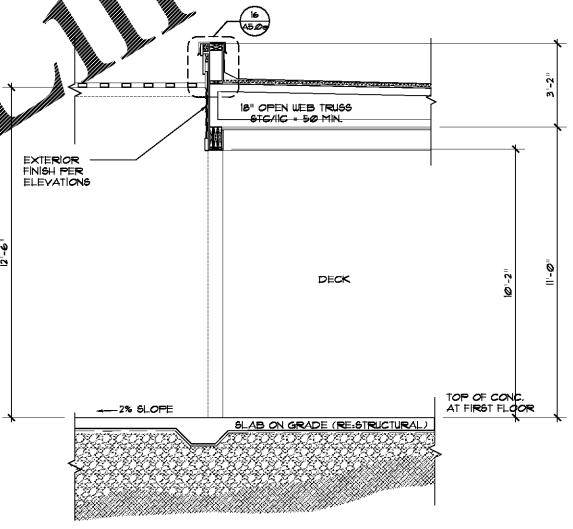
ISSUED FOR CONSTRUCTION



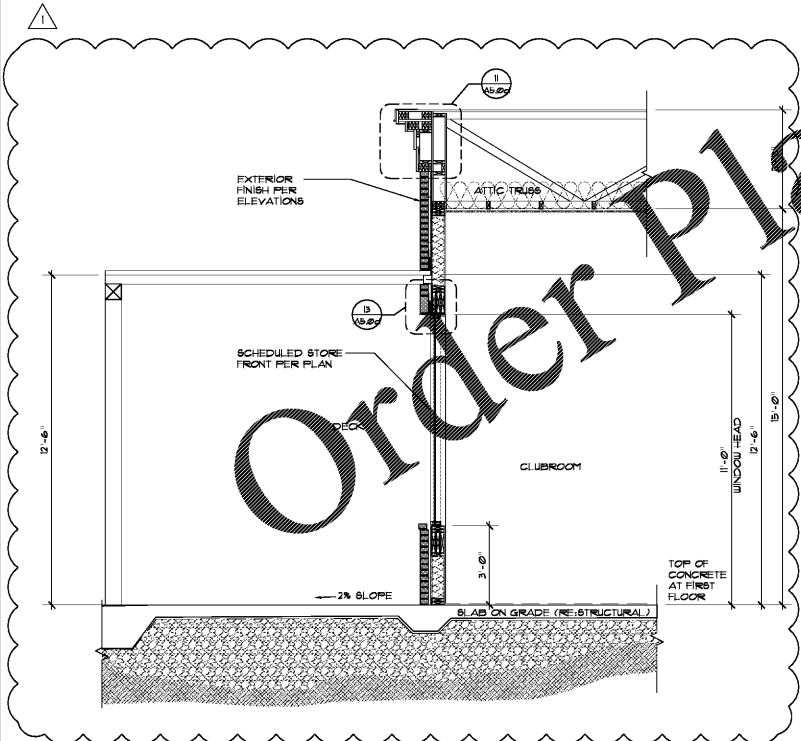
7 Clubhouse - Wall Section at Main Entrance
 Scale: 3/8" = 1'-0"



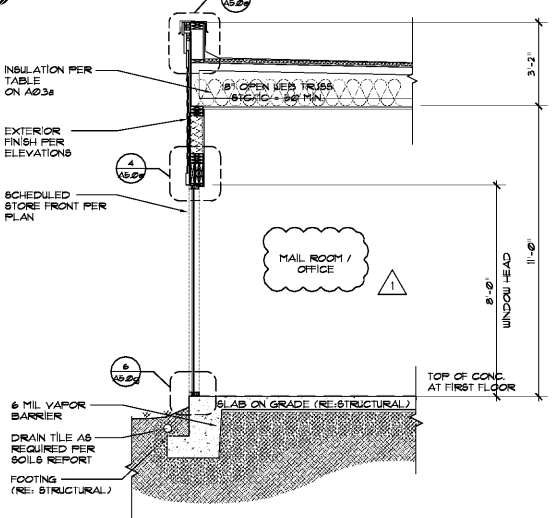
6 Clubhouse - Wall Section at Patio
 Scale: 3/8" = 1'-0"



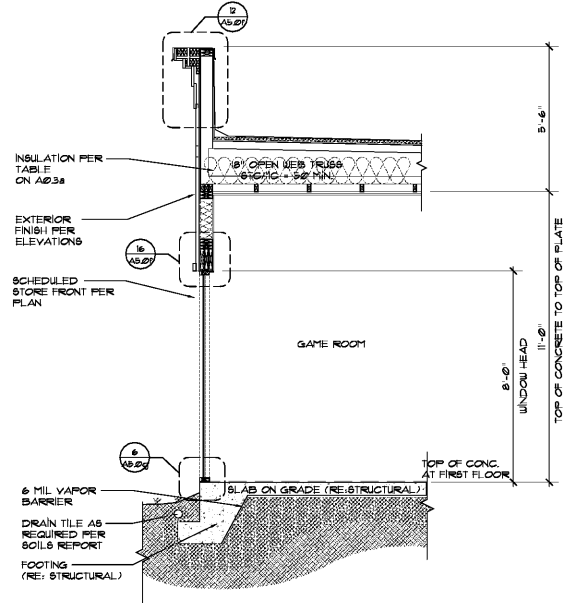
5 Clubhouse - Wall Section at Deck
 Scale: 3/8" = 1'-0"



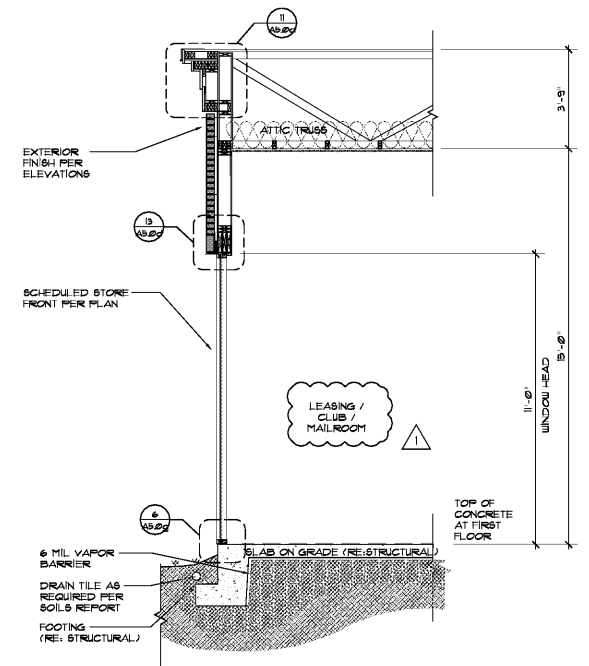
4 Clubhouse - Wall Section at Brick
 Scale: 3/8" = 1'-0"



3 Clubhouse - Wall Section at Lap Siding
 Scale: 3/8" = 1'-0"



2 Clubhouse - Wall Section at Panel Siding
 Scale: 3/8" = 1'-0"



1 Clubhouse - Wall Section at Brick
 Scale: 3/8" = 1'-0"

Order Plans @

WWW.LDIDLine.com