

Project:	1928.00
CADD File:	MSDET1
Drawn By:	SGS
Checked By:	GA
Permit Release:	May 15, 2020
Construction Release Set:	May 15, 2020
Revisions	
No. Date Description	

ASI / RFI Revisions	
No. Date Description	

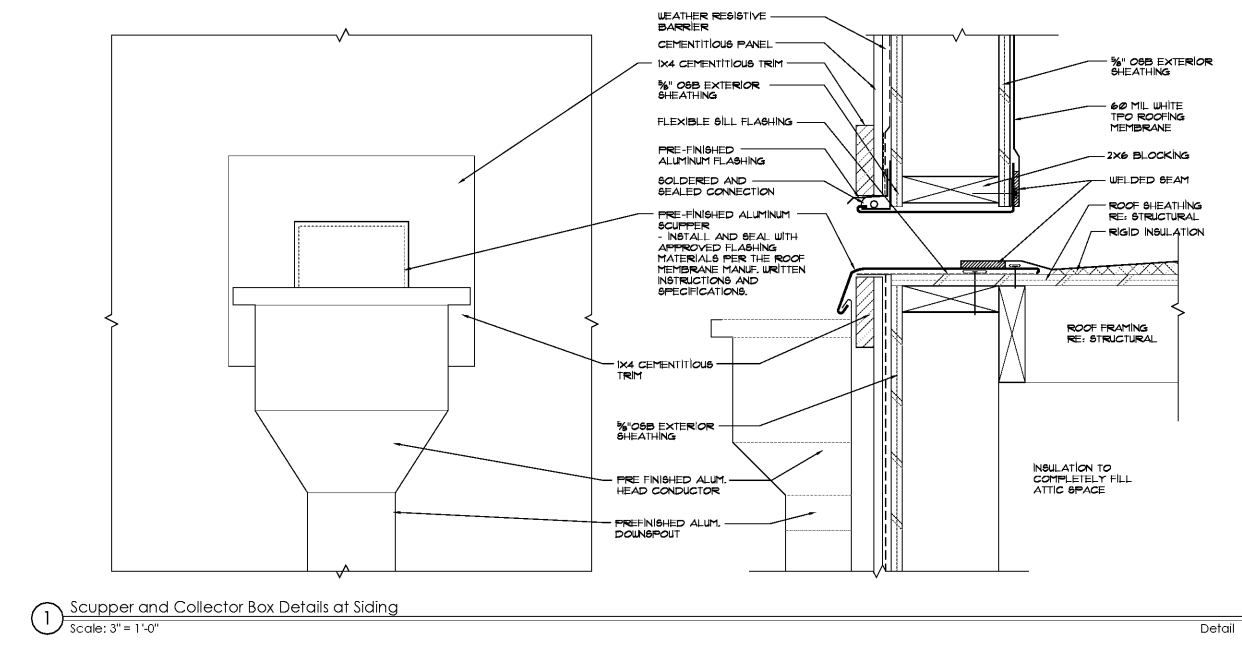
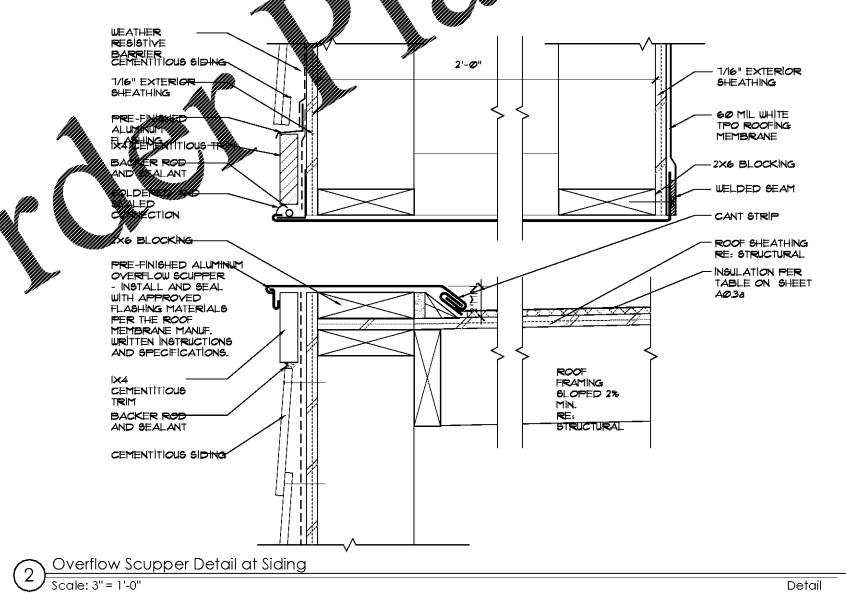
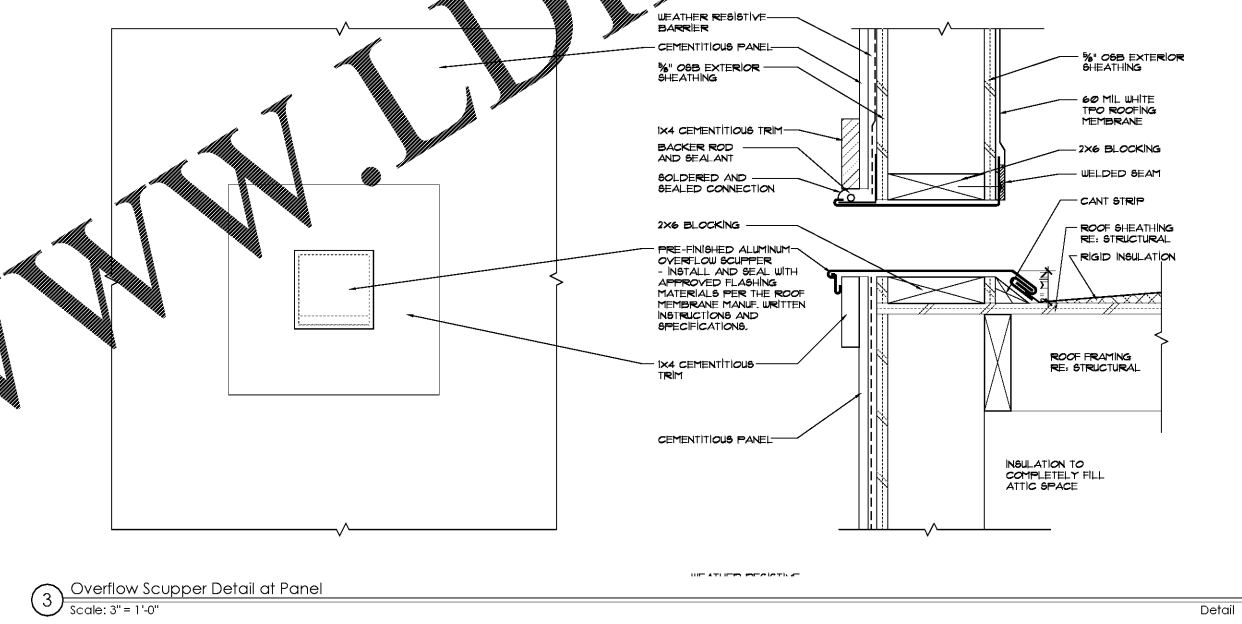
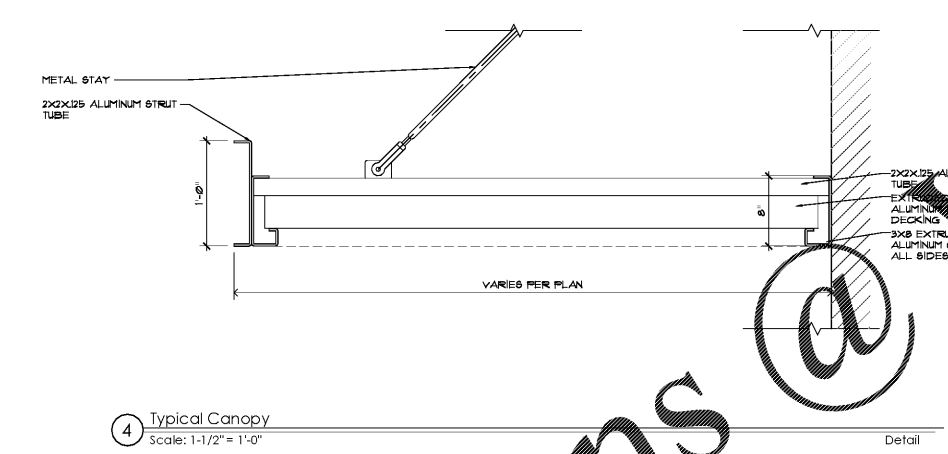
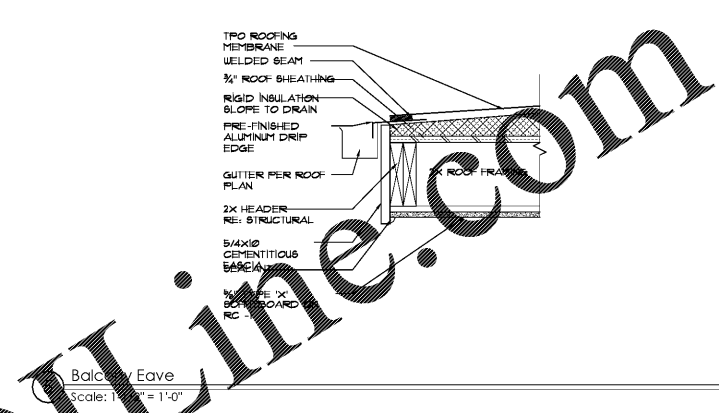
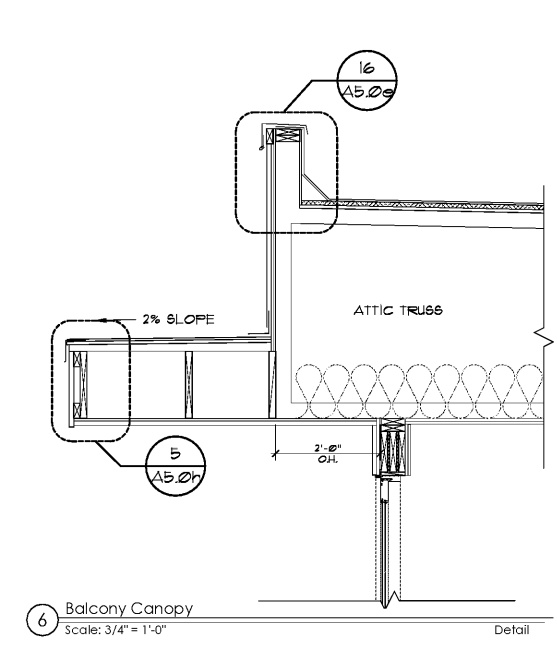
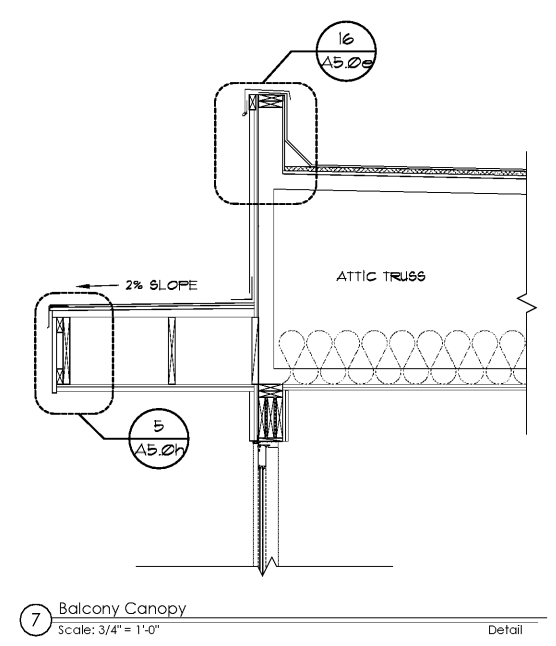
© 2019 Poole & Poole Architecture, LLC  
 Drawings and specifications are prepared and provided on the  
 property of Poole & Poole Architecture, LLC and shall not  
 be used or reproduced without the prior written  
 consent of Poole & Poole  
 Architecture, LLC

**Borough 33**  
 an Apartment Community by  
 33 Broad MF, LLC  
 in Chattanooga, Tennessee

Drawing Title:	Details
----------------	---------

**A5.0h**

ISSUED FOR CONSTRUCTION



Order Plans @

WWW.LDIDLINE.COM