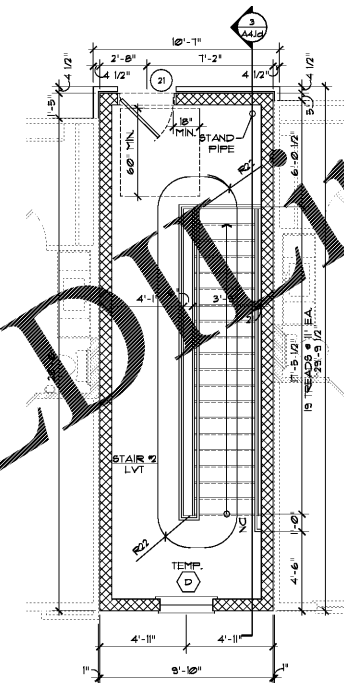


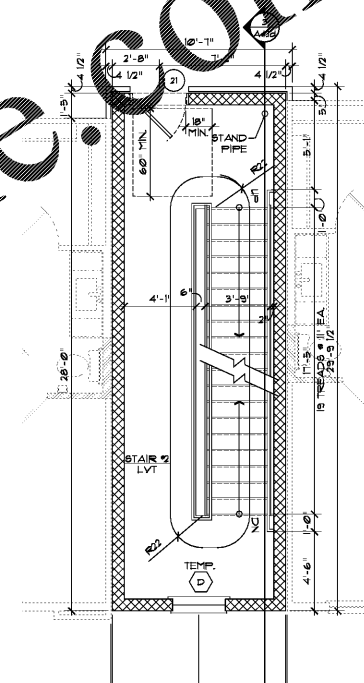
3 Building #2 Stair #2 - Section  
Scale: 3/8" = 1'-0"

Section



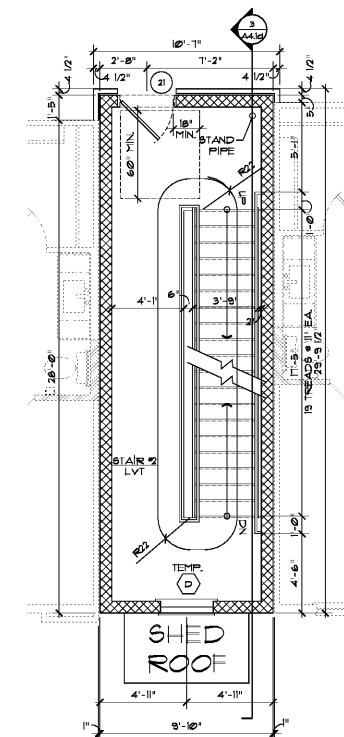
5 Building #2 - Stair #2 - Fourth Level  
Scale: 1/4" = 1'-0"

Plan



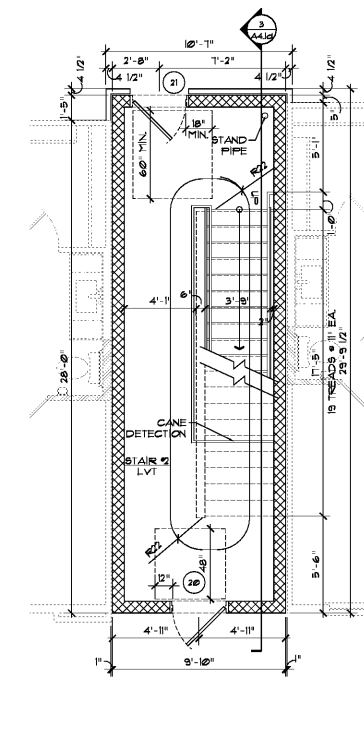
4 Building #2 - Stair #2 - Third Level  
Scale: 1/4" = 1'-0"

Plan



2 Building #2 - Stair #2 - Second Level  
Scale: 1/4" = 1'-0"

Plan



1 Building #2 - Stair #2 - First Level  
Scale: 1/4" = 1'-0"

Plan

WWW.LDLINE.COM

Order Plans @

Seal

March 19, 2021

**ZPA**

**POOLE & POOLE ARCHITECTURE**  
3736 Winterfield Road, Suite 102  
Midlothian, Virginia 23113  
Telephone 804.275.0215  
www.zpa.net

Project: 1928.00  
CADD File: MSVRT  
Drawn By: NVK  
Checked By: SGS

Permit Release:  
May 15, 2020  
Construction Release Set:  
May 15, 2020

Revisions

No.	Date	Description
1	03/19/21	Owner Comments

ASI / RFI Revisions

No.	Date	Description
-----	------	-------------

© 2019 Poole & Poole Architecture, LLC  
Drawings and specifications are not to be relied upon the  
authority of Poole & Poole Architecture, LLC and shall not  
be used for any project without the written consent of Poole & Poole  
Architecture, LLC.

**Borough 33**  
an Apartment Community by  
33 Broad MF, LLC  
in Chattanooga, Tennessee

Drawing Title:  
Building #2  
Stairs #2  
Plans & Sections

**A4.1d**

ISSUED FOR CONSTRUCTION