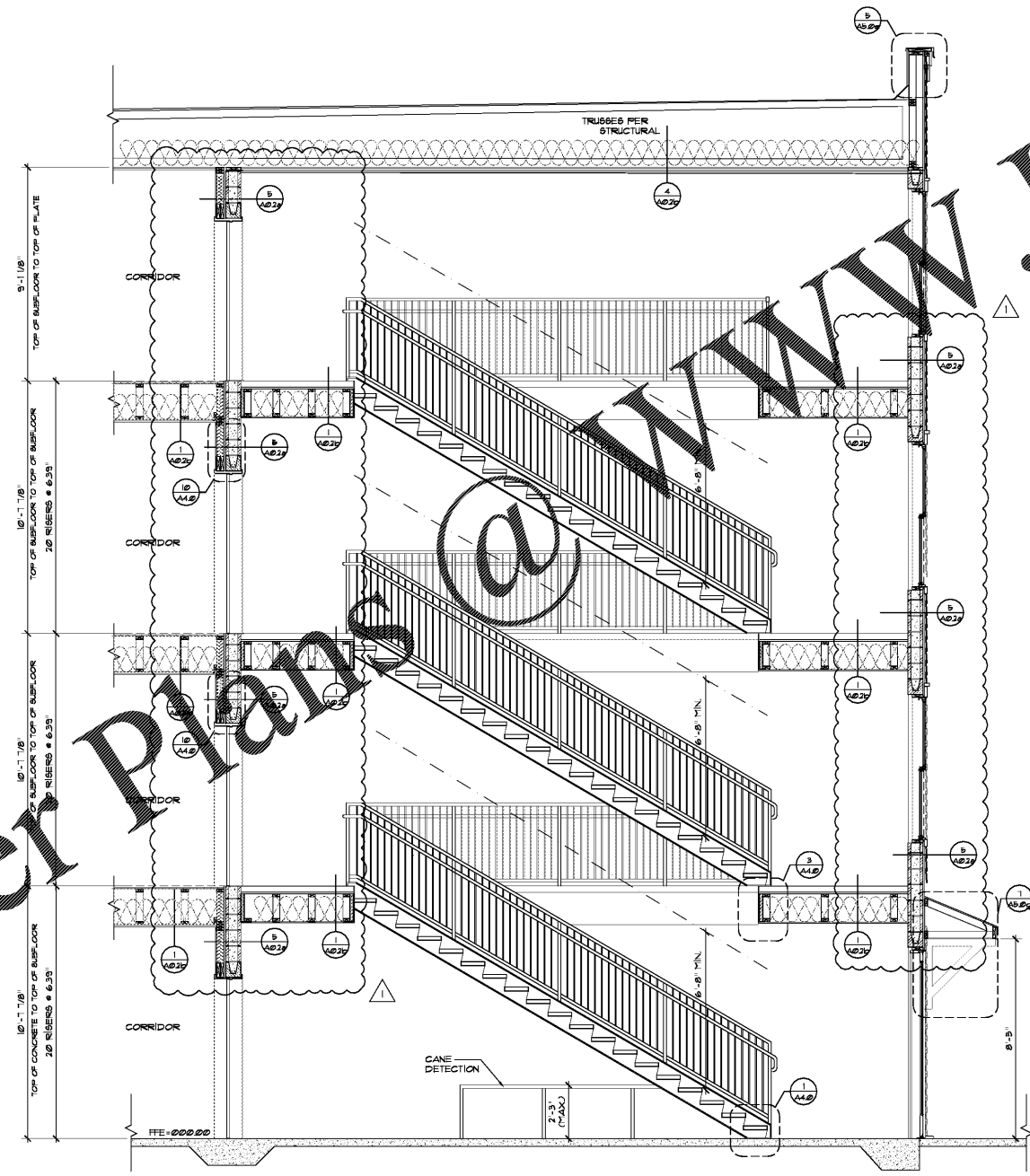
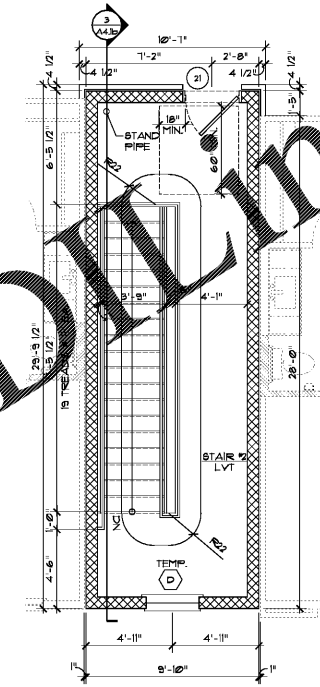


Order Plans @ WWW.LDLINE.COM

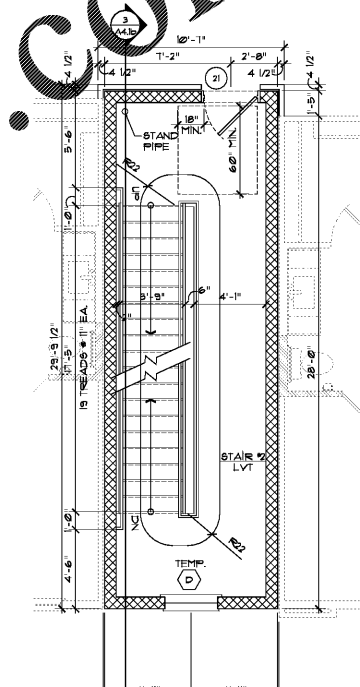


3 Building 1 Stair #2 - Section
Scale: 3/8" = 1'-0"

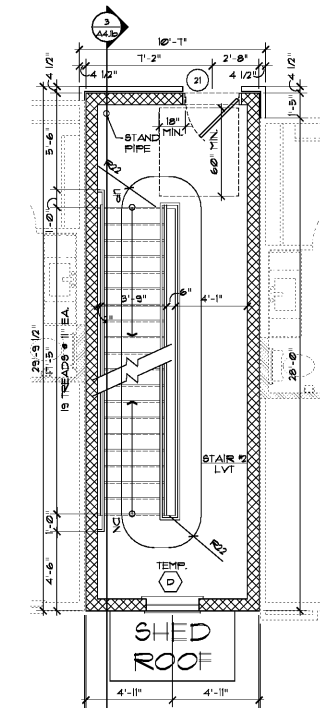
Section



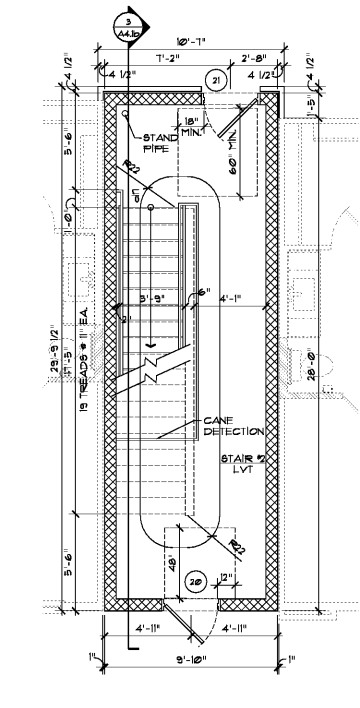
5 Building #1 - Stair #2 - Fourth Level
Scale: 1/4" = 1'-0" Plan



4 Building #1 - Stair #2 - Third Level
Scale: 1/4" = 1'-0" Plan



2 Building #1 - Stair #2 - Second Level
Scale: 1/4" = 1'-0" Plan



1 Building #1 - Stair #2 - First Level
Scale: 1/4" = 1'-0" Plan

Seal

 March 19, 2021
ZPA
POOLE & POOLE ARCHITECTURE
 3736 Winterfield Road, Suite 102
 Midlothian, Virginia 23113
 Telephone 804.275.0215
 www.zpa.net

Project: 1928.00
 CADD File: MSVRT
 Drawn By: NVK
 Checked By: SGS

Permit Release:
 May 15, 2020
 Construction Release Set:
 May 15, 2020

Revisions

No.	Date	Description
1	03/19/21	Owner Comments

ASI / RFI Revisions

No.	Date	Description
-----	------	-------------

© 2019 Poole & Poole Architecture, LLC.
 Drawings and specifications are and shall remain the property of Poole & Poole Architecture, LLC and shall not be used for any other project without the written consent of Poole & Poole Architecture, LLC.

Borough 33
 an Apartment Community by
 33 Broad MF, LLC
 in Chattanooga, Tennessee

Drawing Title:
 Building 1
 Stairs #2
 Plans & Sections

A4.1b

ISSUED FOR CONSTRUCTION