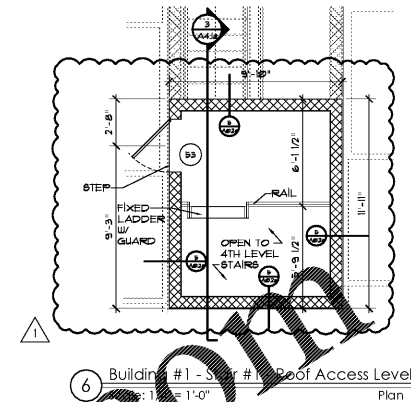
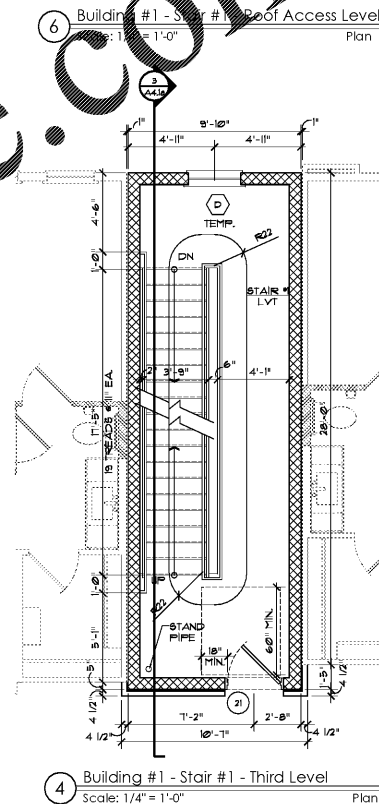
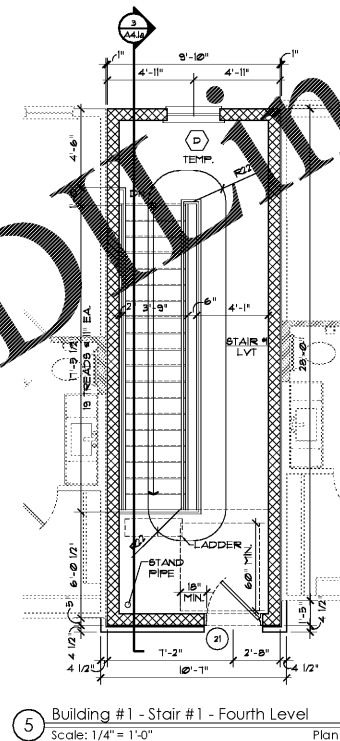
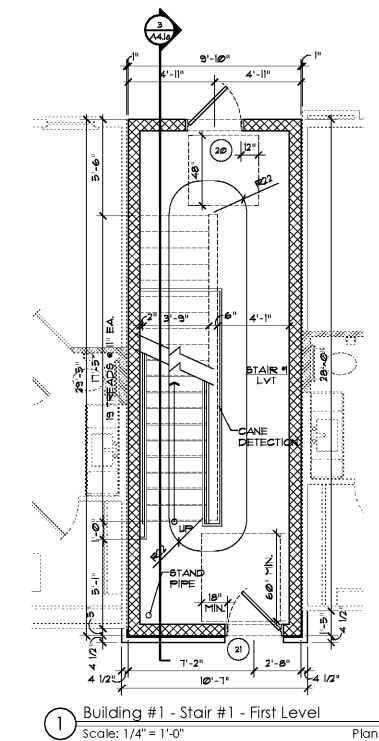
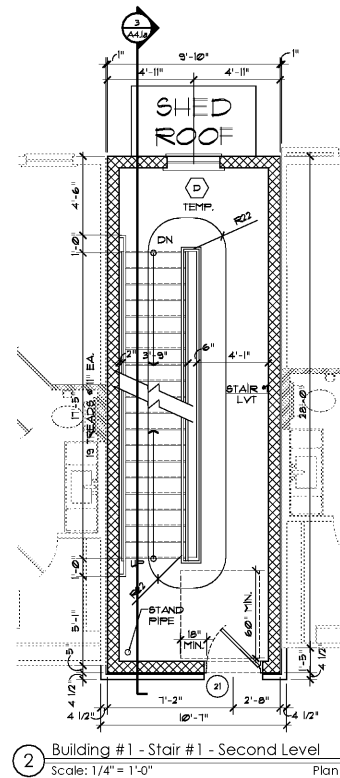
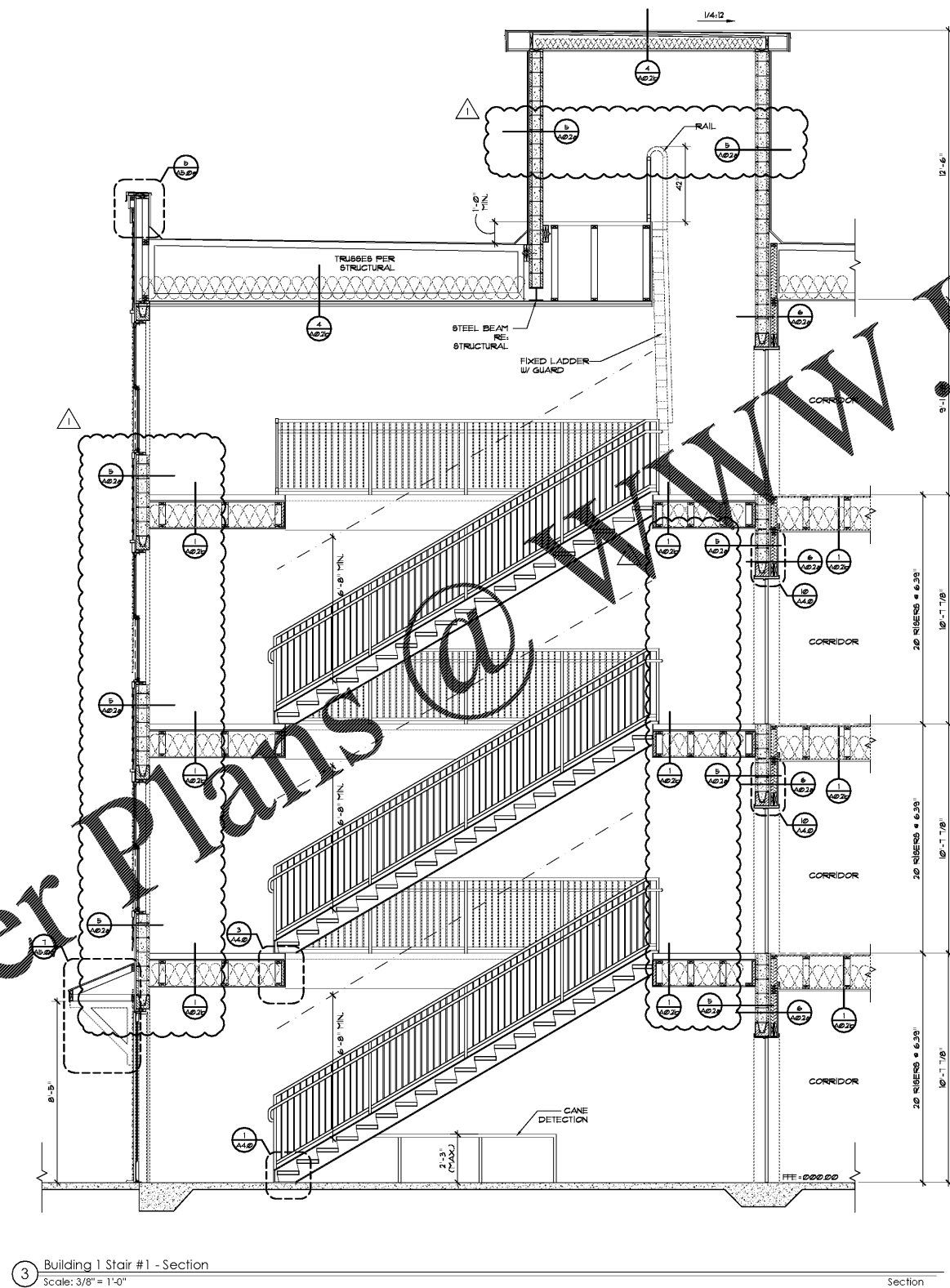


Order Plans @ WWW.LDLINE.COM



Seal

 March 19, 2021
ZPA
POOLE & POOLE ARCHITECTURE
 3736 Winterfield Road, Suite 102
 Midlothian, Virginia 23113
 Telephone 804.225.0215
 www.zpa.net

Project: 1928.00
 CADD File: NSVRT
 Drawn By: NVK
 Checked By: SGS

Permit Release:
 May 15, 2020
 Construction Release Set:
 May 15, 2020

Revisions

No.	Date	Description
1	03/19/21	Owner Comments

ASI / RFI Revisions
 No. Date Description

Borough 33
 an Apartment Community by
 33 Broad MF, LLC
 in Chattanooga, Tennessee

Drawing Title:
 Building 1
 Stairs #1
 Plans & Sections

A4.1a

ISSUED FOR CONSTRUCTION