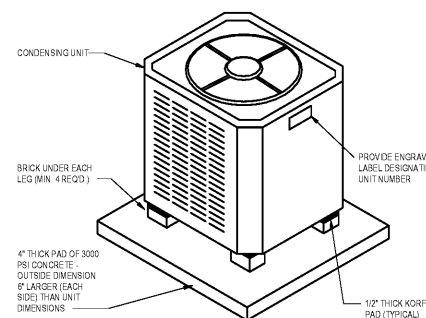
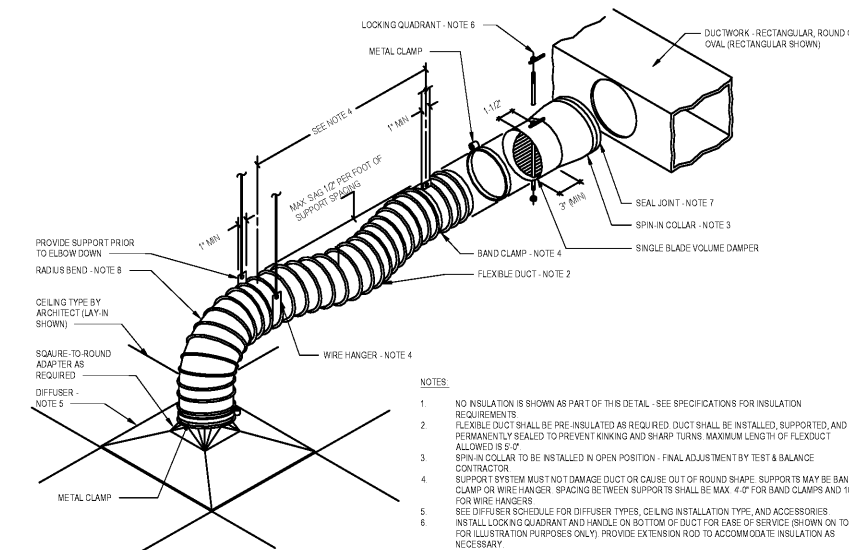


**1 GRAVITY INTAKE HOOD**  
MO.1 SCALE: NTS



**2 CONDENSING UNIT INSTALLATION DETAIL**  
MO.1 SCALE: NTS

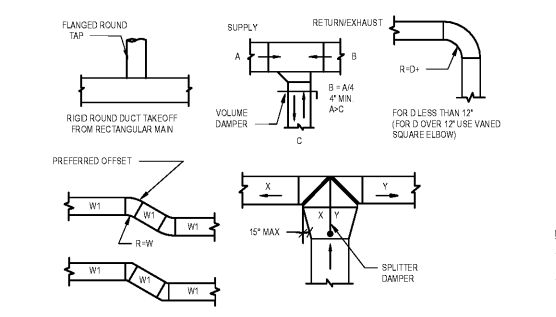


**3 FLEXIBLE DUCT DETAIL**  
MO.1 SCALE: NTS

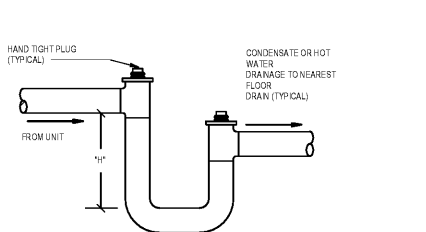
**MECHANICAL HVAC LEGEND**

**MECHANICAL ABBREVIATIONS**

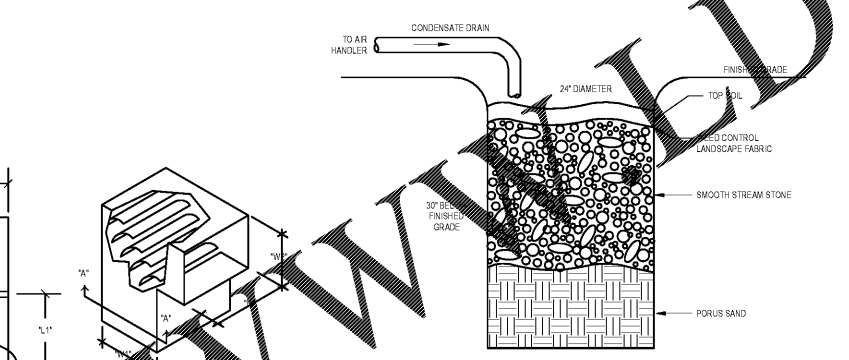
ABBREVIATION	NAME
AC	UNITARY AND WALL MOUNTED AIR CONDITIONING UNIT AND NUMBER
ACHR	AIR CHANGES PER HOUR
ACC-1	AIR COOLED CONDENSING UNIT AND NUMBER
AF	ABOVE FINISHED FLOOR
AHL-1	AIR HANDLING UNIT AND NUMBER
ALUM	ALUMINUM
AMCA	AIR MOVEMENT AND CONTROL ASSOCIATION
ANSI	AMERICAN NATIONAL STANDARD ASSOCIATION
APPROX	APPROXIMATE
ARCH	ARCHITECTURAL
ASHRAE	AMERICAN SOCIETY OF HEATING, REFRIGERATING, AND AIR CONDITIONING ENGINEERS
ASME	AMERICAN SOCIETY OF MECHANICAL ENGINEERS
BOP	BOTTOM OF PIPE
BTU	BRITISH THERMAL UNIT
BTH	BRITISH THERMAL UNIT PER HOUR
CFM	CUBIC FEET PER MINUTE
CLG	CLAS
CONV	CONVEYOR
CONS	CONSTRUCTION
CONTR	CONTRACTOR
COOR	COORDINATE
EL	ELEVATION
EQUIP	EQUIPMENT
ESP	EXTERNAL STATIC PRESSURE
FPM	FEET PER MINUTE
G	GAS PIPING
GC	GENERAL CONTRACTOR
GRW	GALLONS PER MINUTE
SH-1	GAS HEATER AND NUMBER
HDA	HAND OFF AUTOMATIC
HP	HORSEPOWER
HVAC	HEATING, VENTILATING, AND AIR CONDITIONING
ID	INSIDE DIAMETER
IN	INCH
KW	KILOWATT
LAT	LEAVING AIR TEMPERATURE
LB	POUNDS
LBHR	POUNDS PER HOUR
MAX	MAXIMUM
MSH	1,000 BTU PER HOUR
MC	MECHANICAL CONTRACTOR
MFR	MANUFACTURER
MIN	MINIMUM
M TD	MOUNTED
N/A	NOT APPLICABLE
NC	NORMALLY CLOSED
NIC	NOT IN CONTRACT
NO	NORMALLY OPEN
NO	NUMBER
NTS	NOT TO SCALE
OA	OUTSIDE AIR
OSD	OPPOSED BLADE DAMPER
OC	PLUMBING CONTRACTOR
OD	OUTSIDE DIAMETER
OPNG	OPENING
PSI	POUNDS PER SQUARE INCH
QTY	QUANTITY
RA	RETURN AIR
REQD	REQUIRED
REV	REVISION
RH	RELATIVE HUMIDITY
RPM	REVOLUTIONS PER MINUTE
SB	SUPPLY AIR
SMACNA	SHEET METAL AND AIR CONDITIONING CONTRACTORS NATIONAL ASSOCIATION
SP	STATIC PRESSURE
SPEC	SPECIFICATION
SG	SQUARE
R	REFRIGERANT PIPING
TEMP	TEMPERATURE
TS	THERMOSTAT
TYP	TYPICAL
UNO	UNLESS NOTED OTHERWISE
VEL	VELOCITY
VSD	VARIABLE SPEED DRIVE
W	WITH
WO	WITHOUT
WB	WET BULB
Ø	ROUND OR DIAMETER



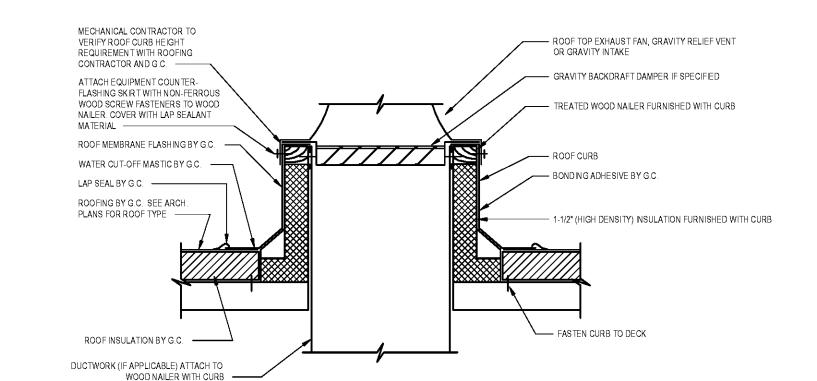
**4 LOW PRESSURE DUCTWORK DETAIL**  
MO.1 SCALE: NTS



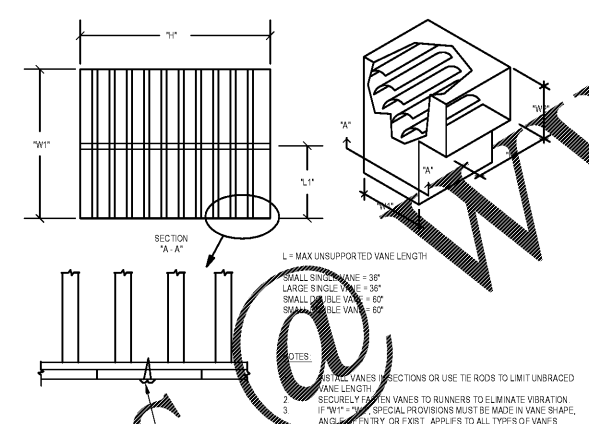
**5 CONDENSATE TRAP DETAIL**  
MO.1 SCALE: NTS



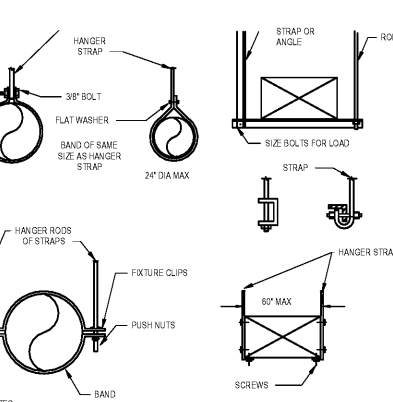
**8 DRAIN PIT DETAIL**  
MO.1 SCALE: NTS



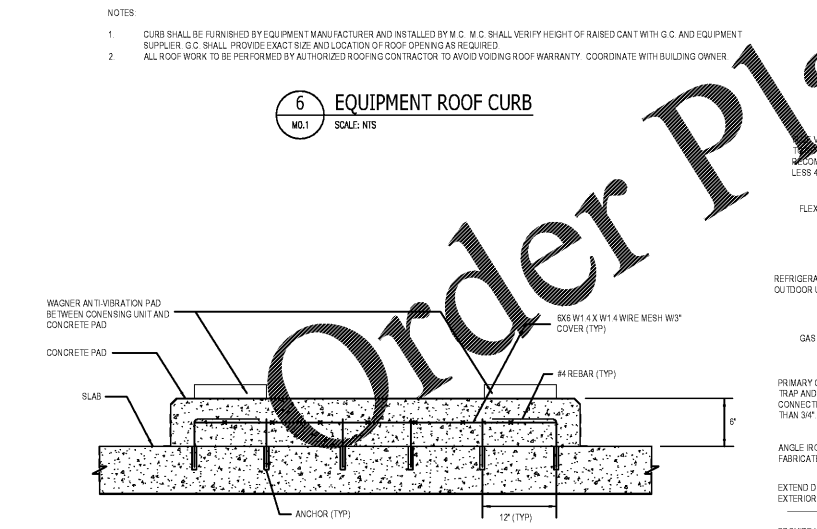
**6 EQUIPMENT ROOF CURB**  
MO.1 SCALE: NTS



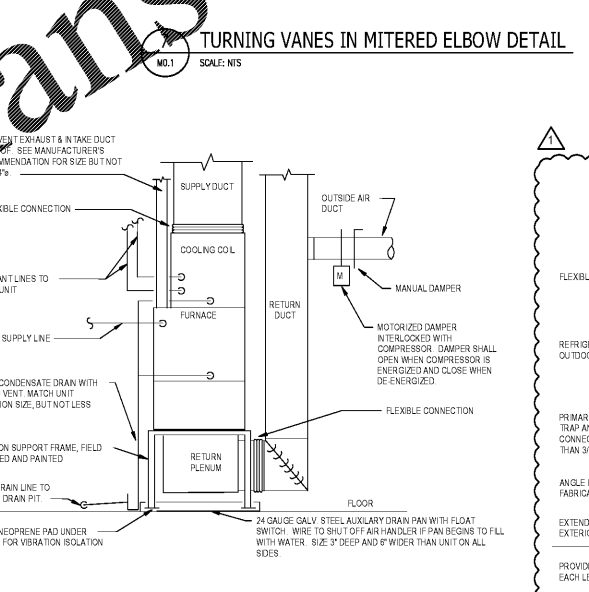
**7 TURNING VANES IN MITERED ELBOW DETAIL**  
MO.1 SCALE: NTS



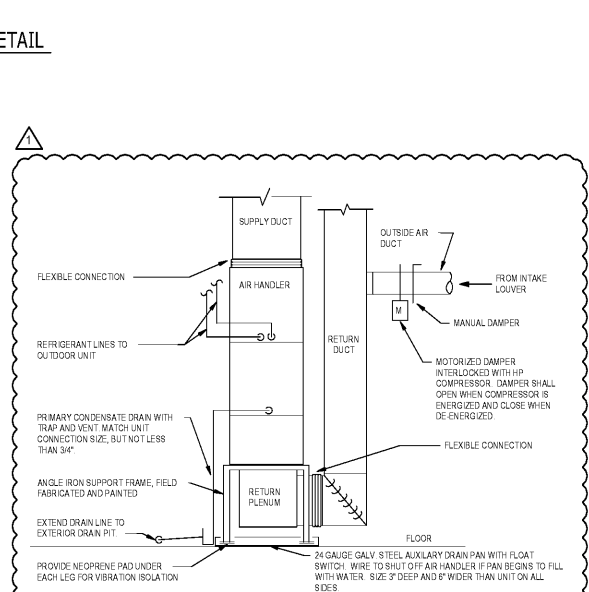
**9 TYPICAL DUCT HANGER DETAILS**  
MO.1 SCALE: NTS



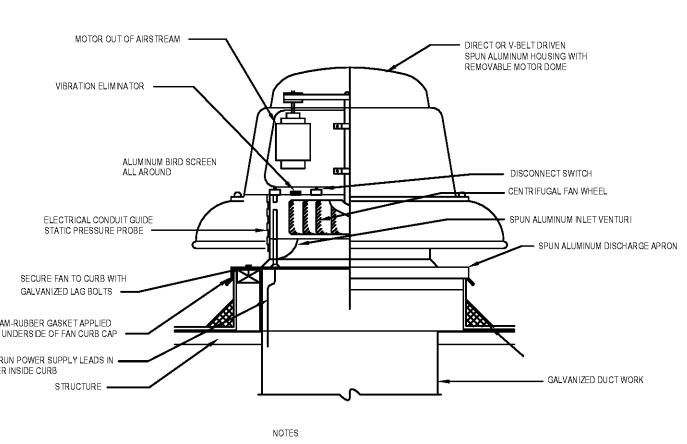
**10 EQUIPMENT PAD**  
MO.1 SCALE: NTS



**11 VERTICAL FURNACE INSTALLATION DETAIL**  
MO.1 SCALE: NTS



**12 VERTICAL AIR HANDLER INSTALLATION DETAIL**  
MO.1 SCALE: NTS



**13 POWER ROOF VENTILATOR**  
MO.1 SCALE: NTS



**ENGINEERED DESIGNS INC.**  
North Carolina License #C-1729  
1151 SE Cary Parkway, Suite 200 Cary, North Carolina 27513  
P 919.881.9170 F 919.881.9173 www.engineereddesigns.com

City of Winston-Salem  
**FIRE STATION 3**  
WINSTON-SALEM • NORTH CAROLINA



THESE DRAWINGS ARE INSTRUMENTS OF SERVICE AND SHALL REMAIN THE PROPERTY OF THE ARCHITECT UNLESS THE PROJECT FOR WHICH THEY WERE MADE IS COMPLETED OR THEY ARE NOT TO BE USED BY THE OWNER OR ANY OTHER PERSON OR ENTITY WITHOUT THE WRITTEN CONSENT OF THE ARCHITECT. NO PART OF THIS DOCUMENT MAY BE REPRODUCED OR DISTRIBUTED IN ANY FORM OR BY ANY MEANS WITHOUT THE WRITTEN PERMISSION OF THE ARCHITECT.

DRAWN: EG  
CHECKED: MS  
COMM.: 1904  
DATE: 03-17-21  
REVISION: 1

MO.1 OF 1