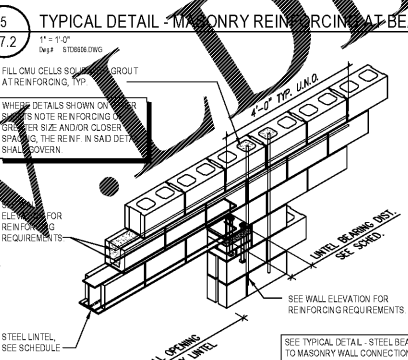
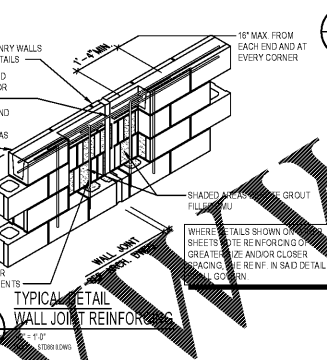
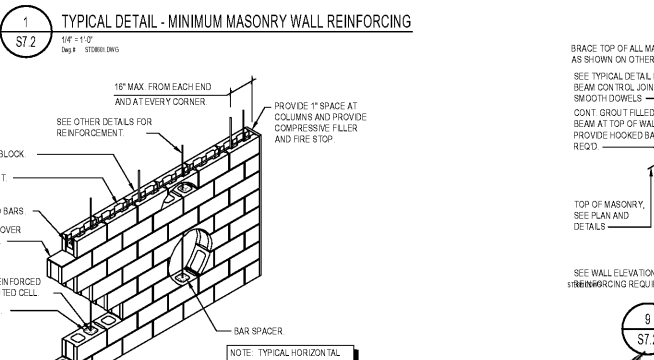
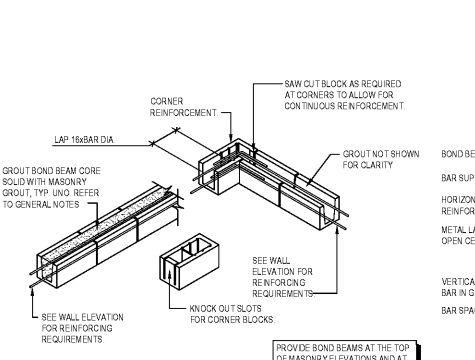
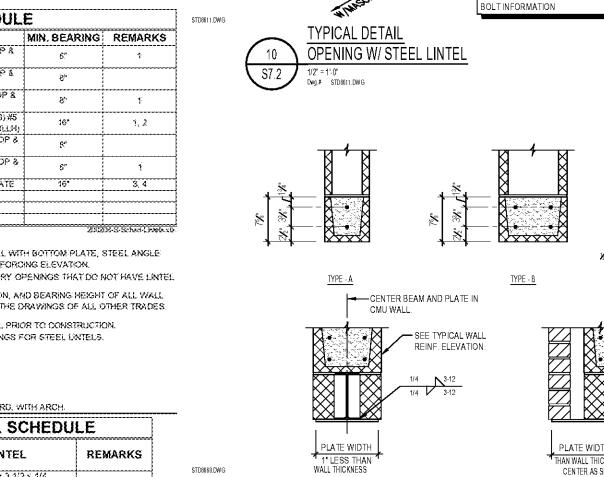
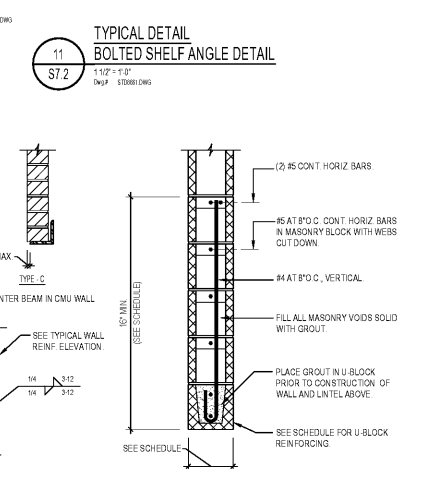
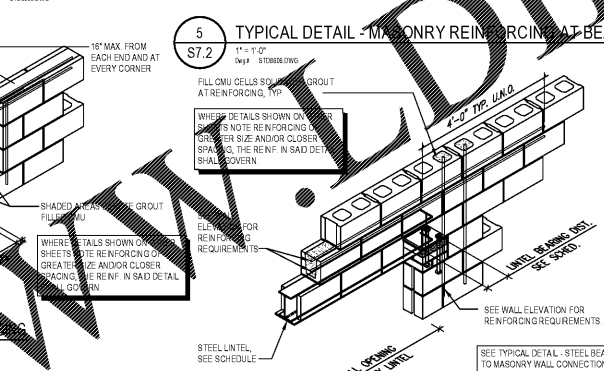
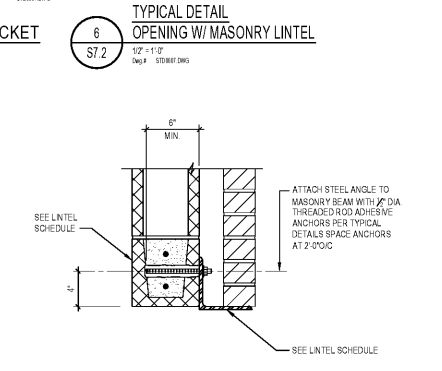
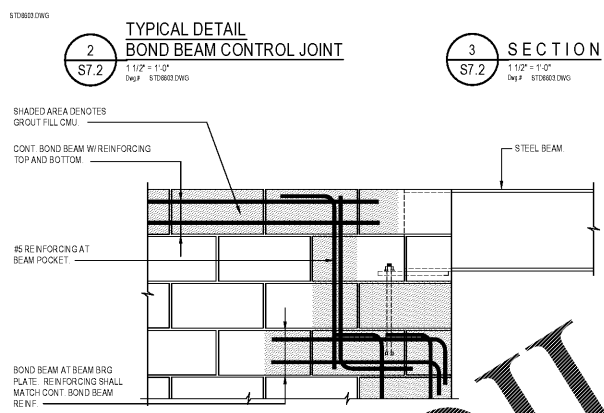
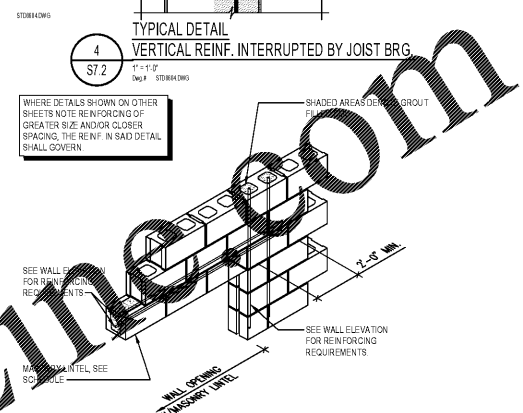
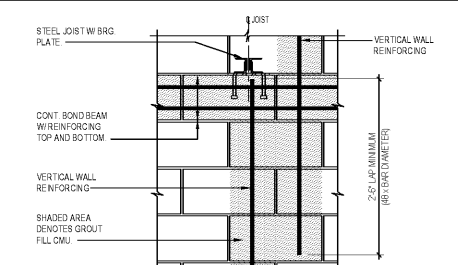
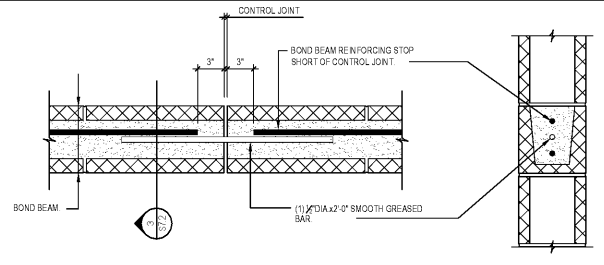
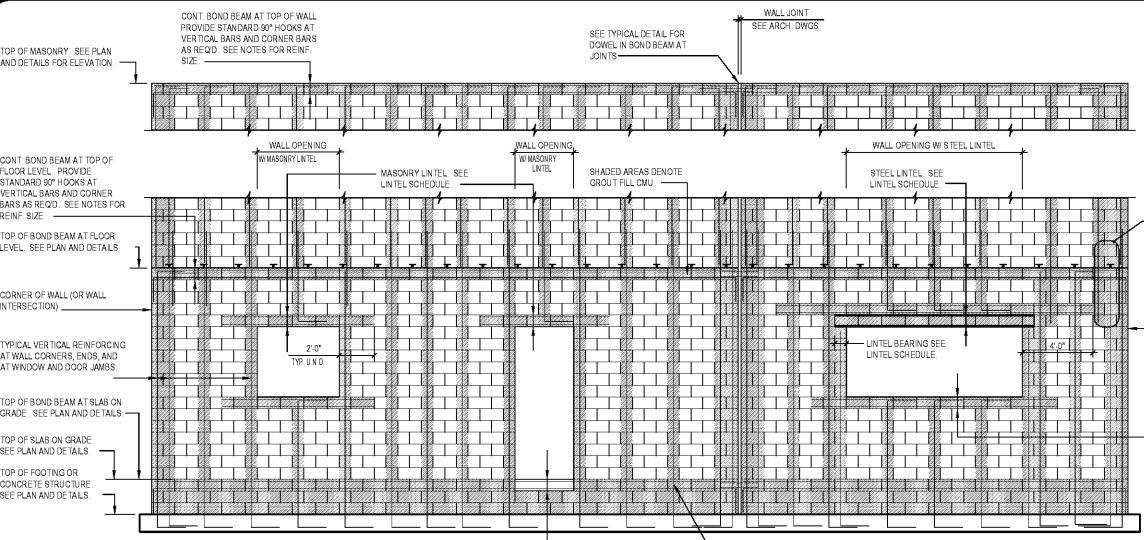


**FOR CONSTRUCTION**

THESE DRAWINGS ARE INSTRUMENTS OF SERVICE AND SHALL REMAIN THE PROPERTY OF THE ARCHITECT UNLESS OTHERWISE SPECIFIED. ANY REUSE OR REPRODUCTION OF ANY PART OF THESE DRAWINGS WITHOUT THE WRITTEN PERMISSION OF THE ARCHITECT IS STRICTLY PROHIBITED. ANY REUSE OR REPRODUCTION OF ANY PART OF THESE DRAWINGS WITHOUT THE WRITTEN PERMISSION OF THE ARCHITECT IS STRICTLY PROHIBITED.

DRAWN: JMN  
CHECKED: SWR  
COMM: JMN  
DATE: 02/12/2021

**S7.2** OF



**LINTEL SCHEDULE**

MARK	TYPE	LINE	MIN. BEARING	REMARKS
L1	A/C	8" x 8" U-BLOCK W/ 2# 85 CONT. TOP & BOTTOM W/ 18x6x18 U.BLOCK	8"	1
L2	A	8" x 8" U-BLOCK W/ 2# 85 CONT. TOP & BOTTOM	8"	1
L3	A/C	8" x 12" U-BLOCK W/ 2# 85 CONT. TOP & BOTTOM W/ 18x6x18 U.BLOCK	8"	1, 2
L4	A/C	24" x 12" 90 BOTTOM U-BLOCK W/ 18x6x18 U.BLOCK	16"	1, 2
L5	A	18" x 12" U-BLOCK W/ 2# 85 CONT. TOP & BOTTOM	8"	1
L6	A/C	16" x 12" U-BLOCK W/ 2# 85 CONT. TOP & BOTTOM W/ 18x6x18 U.BLOCK	8"	1
L7	E	W16x26 W/ 12" x 16" 3/4" BOTTOM PLATE	16"	3, 4

**GENERAL NOTES:**  
1. SEE TYPICAL DETAILS: LINTEL TYPES, STEEL BEAM LINTEL WITH BOTTOM PLATE, STEEL ANGLE LINTEL, BOLTED SHELF ANGLE LINTEL, MASONRY WALL REINFORCING ELEVATION.  
2. SEE MISCELLANEOUS LINTEL SCHEDULE FOR ALL MASONRY OPENINGS THAT DO NOT HAVE LINTEL.  
3. THE CONTRACTOR SHALL COORDINATE THE SIZE, LOCATION, AND BEARING HEIGHT OF ALL WALL OPENINGS WITH THE ARCHITECTURAL DRAWINGS AND WITH THE DRAWINGS OF ALL OTHER TRADES.  
4. THE CONTRACTOR SHALL SUBMIT LINTELS FOR APPROVAL PRIOR TO CONSTRUCTION.  
5. SEE SPECIFICATIONS FOR CORROSION RESISTANT COATINGS FOR STEEL LINTELS.

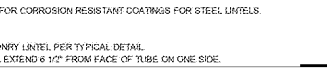
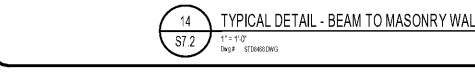
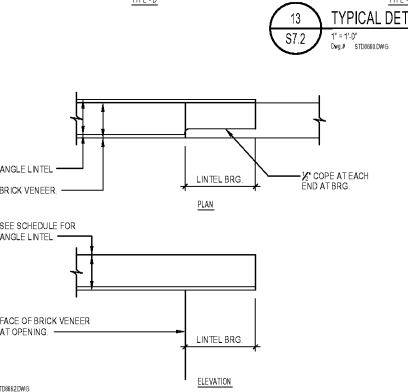
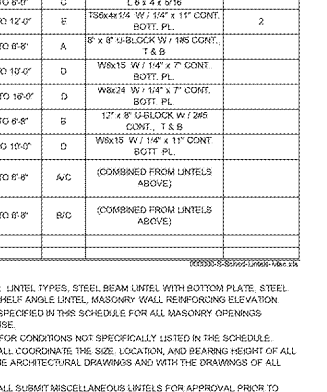
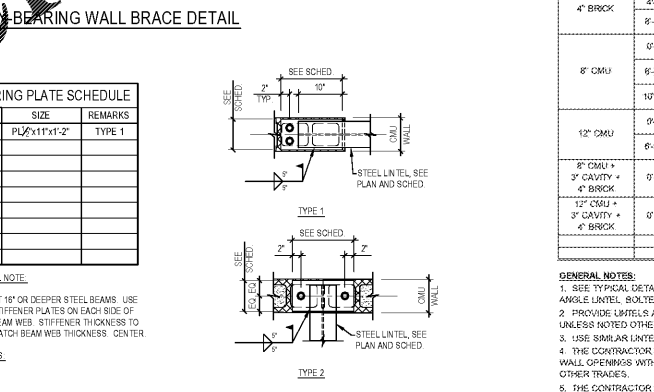
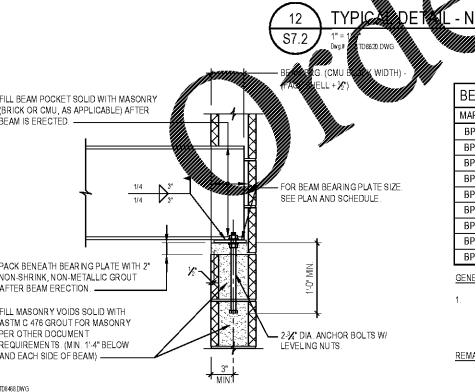
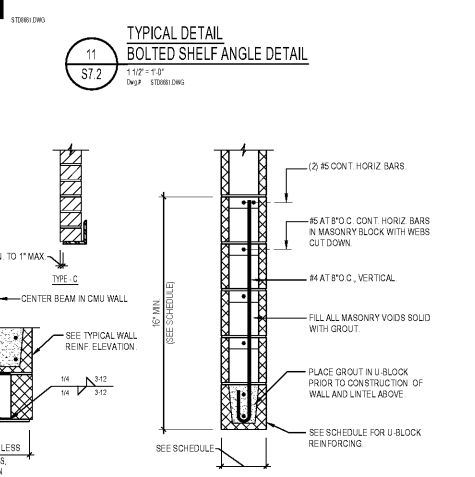
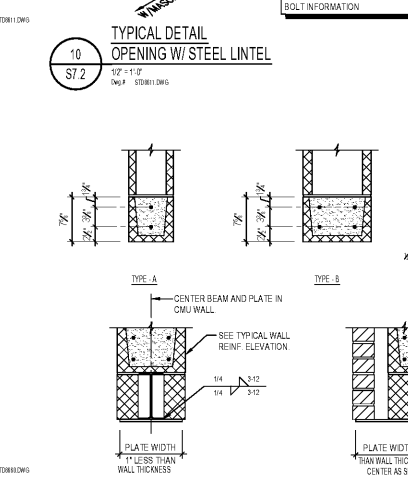
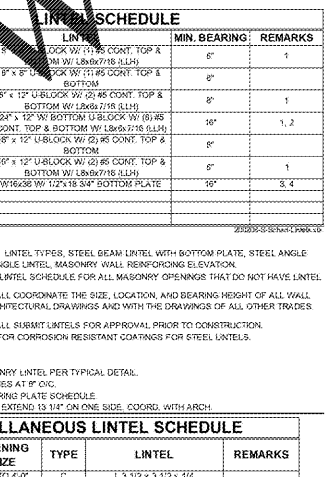
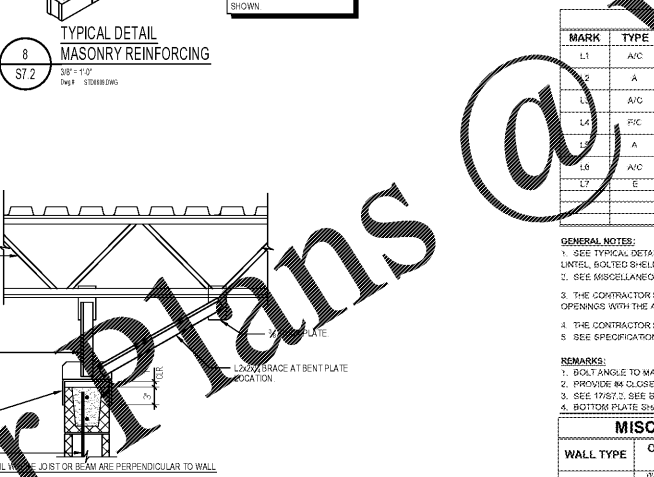
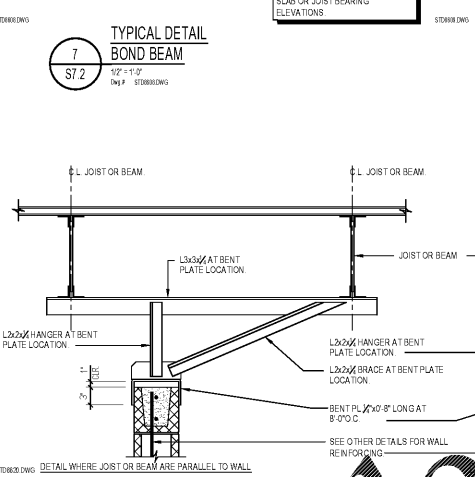
**REMARKS:**  
1. BOLT ANGLE TO MASONRY LINTEL PER TYPICAL DETAIL.  
2. PROVIDE #4 CLOSED TIES AT 8" O.C.  
3. SEE 1707.2, SEE BEARING PLATE SCHEDULE  
4. BOTTOM PLATE SHALL EXTEND 13 1/2" ON ONE SIDE, COORD. WITH ARCH.

**MISCELLANEOUS LINTEL SCHEDULE**

WALL TYPE	OPENING SIZE	TYPE	LINTEL	REMARKS
4" BRICK	1'-0" TO 2'-0"	C	L.S. 1/2" x 1 1/2" x 1 1/2"	1
	2'-0" TO 8'-0"	C	L.S. 4" x 8"	
8" BRICK	8'-11" TO 12'-0"	E	186x44 1/4" x 11" CONT. BOTTL. PL.	2
	0'-0" TO 8'-0"	A	8" x 8" U-BLOCK W/ 18x6x18 U.BLOCK	
8" CMU	8'-0" TO 10'-0"	D	W16x15 W/ 1 1/4" x 7" CONT. BOTTL. PL.	1
	10'-1" TO 16'-0"	D	W16x24 W/ 1 1/4" x 7" CONT. BOTTL. PL.	
12" CMU	0'-0" TO 6'-0"	B	12" x 8" U-BLOCK W/ 2# 85 CONT., 1, 5, 8	1, 5, 8
	6'-0" TO 10'-0"	D	W16x15 W/ 1 1/4" x 7" CONT. BOTTL. PL.	
8" CMU + 3" CAVITY + 4" BRICK	0'-0" TO 8'-0"	A/C	(COMBINED FROM LINTELS ABOVE)	1
	8'-0" TO 10'-0"	D	(COMBINED FROM LINTELS ABOVE)	
12" CMU + 3" CAVITY + 4" BRICK	0'-0" TO 8'-0"	B/C	(COMBINED FROM LINTELS ABOVE)	1
	8'-0" TO 10'-0"	D	(COMBINED FROM LINTELS ABOVE)	

**GENERAL NOTES:**  
1. SEE TYPICAL DETAILS: LINTEL TYPES, STEEL BEAM LINTEL WITH BOTTOM PLATE, STEEL ANGLE LINTEL, BOLTED SHELF ANGLE LINTEL, MASONRY WALL REINFORCING ELEVATION.  
2. PROVIDE LINTELS AS SPECIFIED IN THIS SCHEDULE FOR ALL MASONRY OPENINGS UNLESS NOTED OTHERWISE.  
3. USE MISCELLANEOUS LINTELS FOR CONDITIONS NOT SPECIFICALLY LISTED IN THE SCHEDULE.  
4. THE CONTRACTOR SHALL COORDINATE THE SIZE, LOCATION, AND BEARING HEIGHT OF ALL WALL OPENINGS WITH THE ARCHITECTURAL DRAWINGS AND WITH THE DRAWINGS OF ALL OTHER TRADES.  
5. THE CONTRACTOR SHALL SUBMIT MISCELLANEOUS LINTELS FOR APPROVAL PRIOR TO CONSTRUCTION.  
6. SEE SPECIFICATIONS FOR CORROSION RESISTANT COATINGS FOR STEEL LINTELS.

**REMARKS:**  
1. BOLT ANGLE TO MASONRY LINTEL PER TYPICAL DETAIL.  
2. BOTTOM PLATE SHALL EXTEND 6 1/2" FROM FACE OF PLATE ON ONE SIDE.



**BEARING PLATE SCHEDULE**

MARK	SIZE	REMARKS
BP1	PL2"x11"x1/2"	TYPE 1
BP2		
BP3		
BP4		
BP5		
BP6		
BP7		
BP8		
BP9		

**GENERAL NOTE:**  
1. AT 16" OR DEEPER STEEL BEAMS USE STIFFENER PLATES ON EACH SIDE OF BEAM WEB. STIFFENER THICKNESS TO MATCH BEAM WEB THICKNESS CENTER.

**REMARKS:**

**Order Plans**