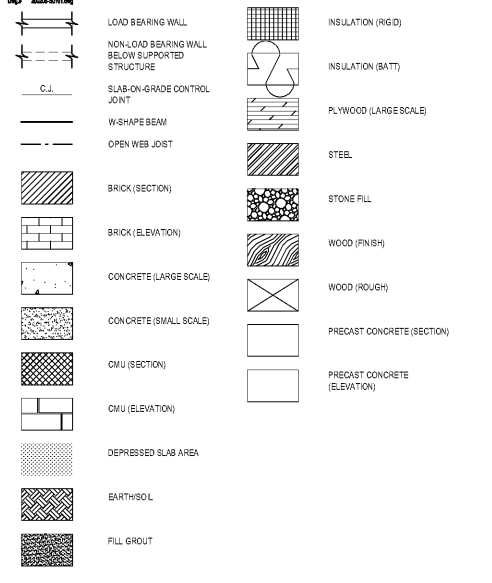


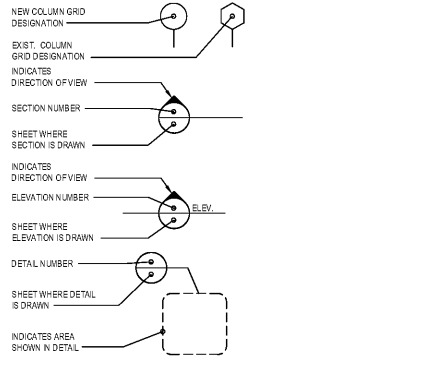
STRUCTURAL ABBREVIATIONS

Table of structural abbreviations including A.B. ANCHOR BOLT, ACI AMERICAN CONCRETE INSTITUTE, AISC AMERICAN INSTITUTE OF STEEL CONSTRUCTION, etc.

STRUCTURAL SYMBOLS LEGEND



DRAWING SYMBOL LEGEND



DRAWING INDEX

Table listing drawing index items such as S1.1 FOUNDATION PLAN, S1.2 ALTERNATE FOUNDATION PLAN, etc.

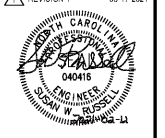
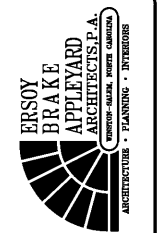
STRUCTURAL GENERAL NOTES

Main body of structural general notes including sections for CONCRETE, REINFORCING STEEL, STEEL BAR JOISTS, ANCHORS & FASTENERS, and FOUNDATIONS.

Drawings & Coordination section detailing contractor responsibilities for coordinating with architectural, mechanical, and plumbing drawings.

Structural Design Data section providing codes and standards, gravity loads, wind loads, and seismic design category information.

FOR CONSTRUCTION



City of Winston-Salem FIRE STATION 3 WINSTON-SALEM NORTH CAROLINA

REVISION 1 03-17-2021

DRAWN: JAN, CHECKED: SWR, COMM: SWR, DATE: 02/12/2021

S1.1 OF