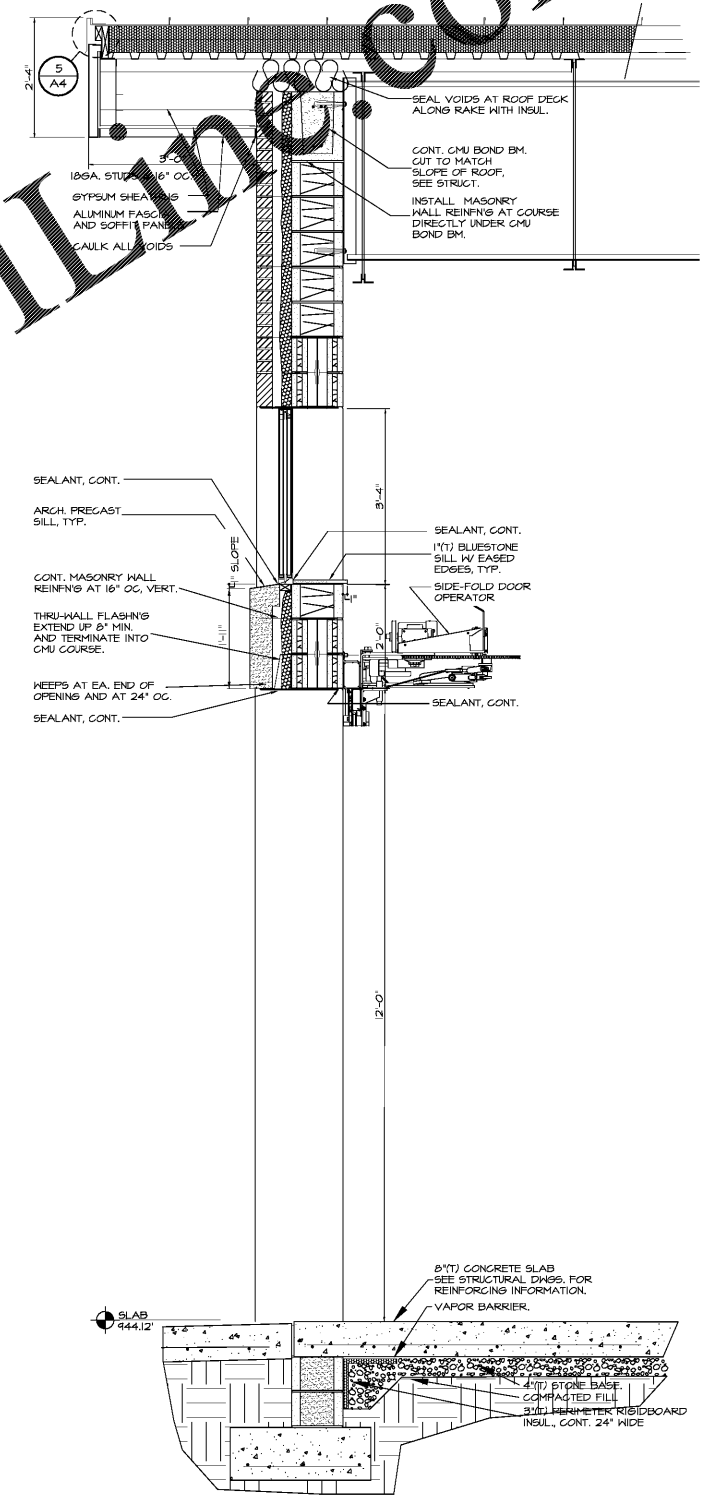


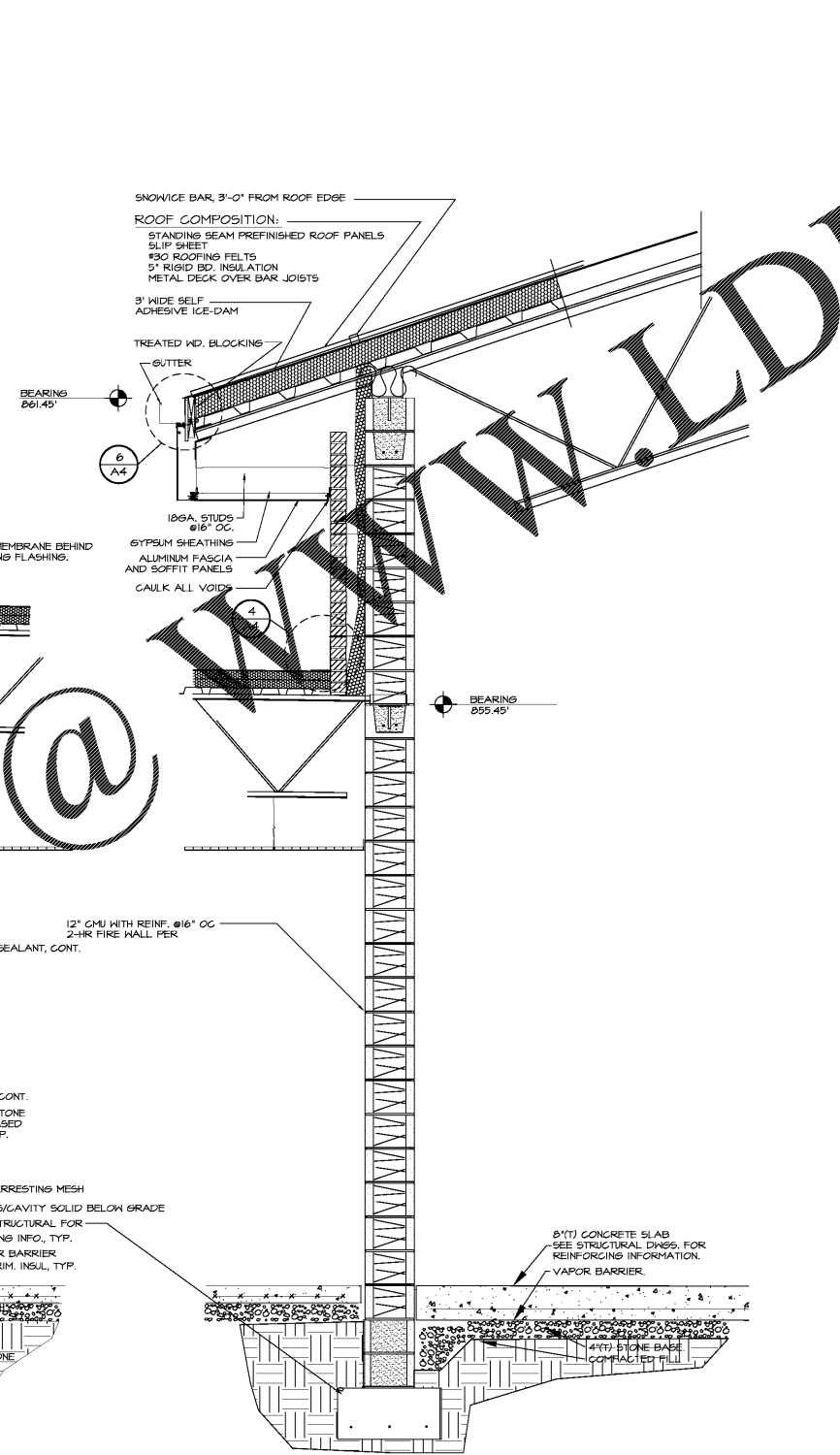
THESE DRAWINGS ARE INSTRUMENTS OF SERVICE AND SHALL REMAIN THE PROPERTY OF THE ARCHITECT UNLESS THE PROJECT FOR WHICH THEY ARE MADE IS COMPLETED OR NOT, THEY ARE NOT TO BE USED FOR ANY OTHER PROJECT OR FOR ANY OTHER PROJECT WITHOUT THE WRITTEN PERMISSION OF ERSOY BRAKE APPLYARD ARCHITECTS, P.A.

© COPYRIGHT 2021 BY ERSOY BRAKE APPLYARD ARCHITECTS, P.A. ALL RIGHTS RESERVED. THESE DRAWINGS ARE THE PROPERTY OF ERSOY BRAKE APPLYARD ARCHITECTS, P.A. AND ARE NOT TO BE REPRODUCED OR TRANSMITTED IN ANY FORM OR BY ANY MEANS WITHOUT THE WRITTEN PERMISSION OF ERSOY BRAKE APPLYARD ARCHITECTS, P.A.

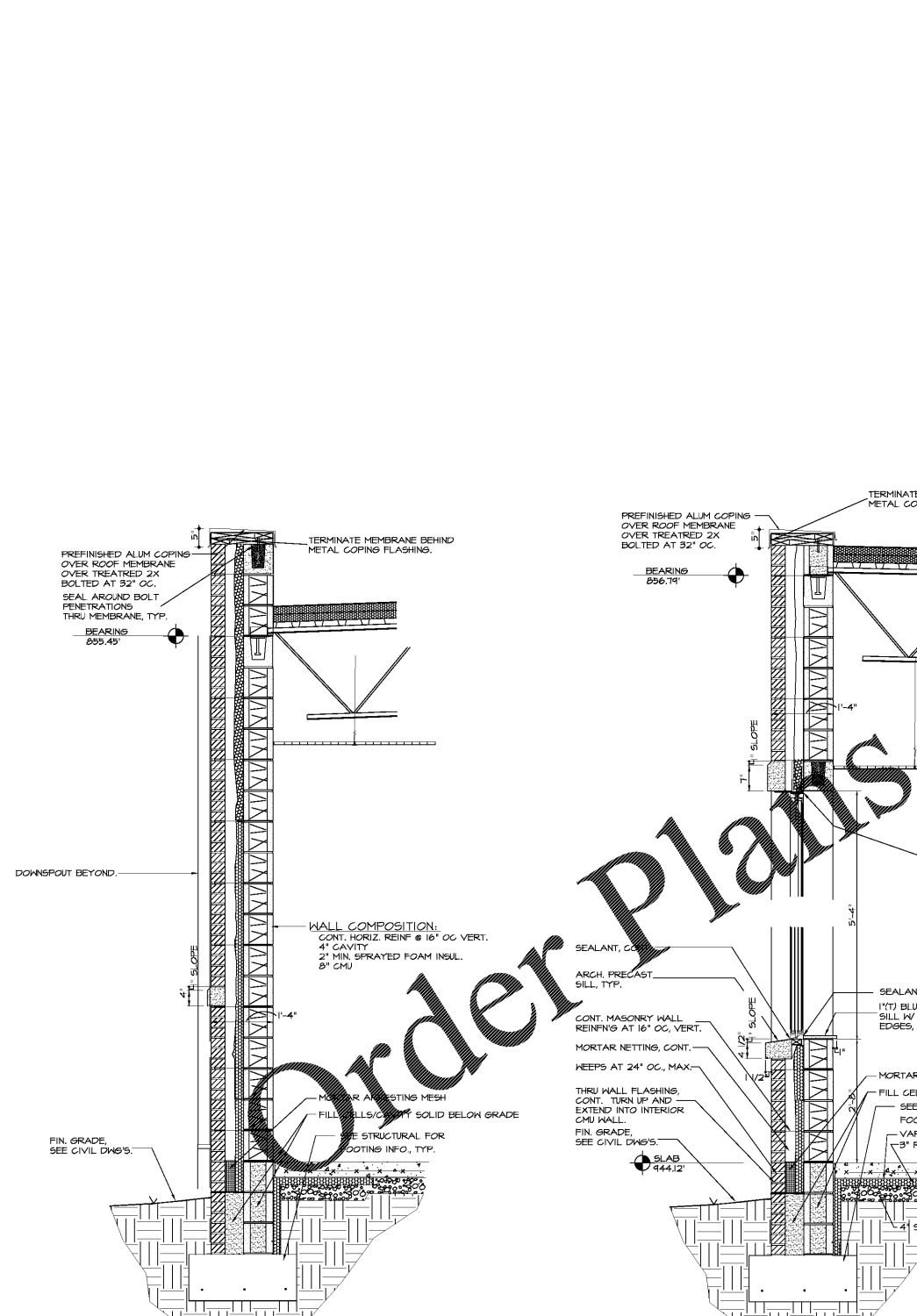
DRAWN: KEB
CHECKED: KEB
COMM: RCH
DATE: 02-12-21
REVISION: A5 OF 1



1 WALL SECTION
SCALE: 3/4" = 1'-0"



2 WALL SECTION
SCALE: 3/4" = 1'-0"



3 WALL SECTION
SCALE: 3/4" = 1'-0"

Order Plans @

WWW.LDILLING.COM