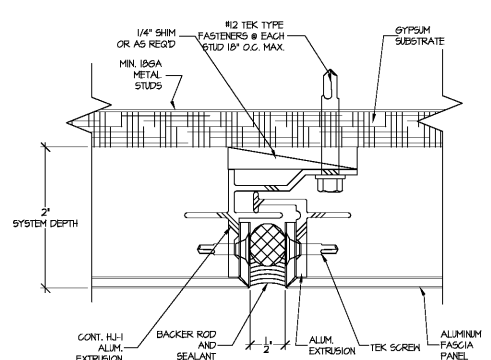


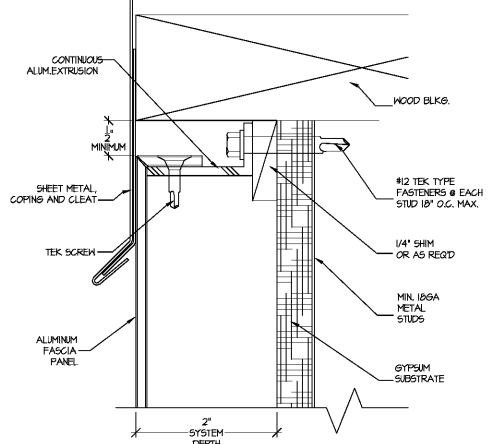
THESE DRAWINGS ARE INSTRUMENTS OF SERVICE AND SHALL REMAIN THE PROPERTY OF THE ARCHITECT UNLESS THE PROJECT FOR WHICH THEY ARE MADE IS COMPLETED OR NOT, THEY ARE NOT TO BE USED FOR ANY OTHER PROJECT OR FOR ANY OTHER PROJECT WITHOUT THE WRITTEN PERMISSION OF ERSOY BRAKE APPLEYARD ARCHITECTS, P.A.

© COPYRIGHT 2021 BY ERSOY BRAKE APPLEYARD ARCHITECTS, P.A. ALL RIGHTS RESERVED. THERE IS NO WARRANTY MADE BY THE ARCHITECT FOR THE ACCURACY OR COMPLETENESS OF THESE DRAWINGS. THE ARCHITECT SHALL NOT BE RESPONSIBLE FOR ANY DAMAGE TO PERSONS OR PROPERTY CAUSED BY THE USE OF THESE DRAWINGS IN ANY FORM OR BY ANY MEANS WITHOUT THE WRITTEN PERMISSION OF ERSOY BRAKE APPLEYARD ARCHITECTS, P.A.

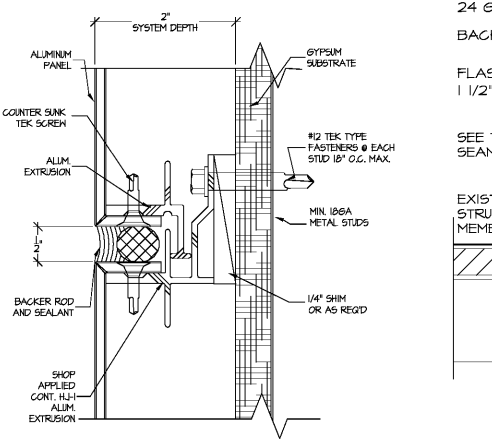
DRAWN: .KEB  
CHECKED: .KEB  
COMM: .RCH  
DATE: 02-12-21  
REVISION: \_\_\_\_\_  
A4 OF 1



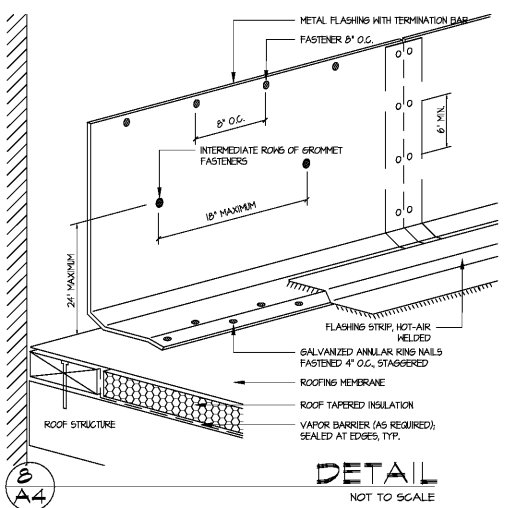
7 A4  
DETAIL  
NOT TO SCALE



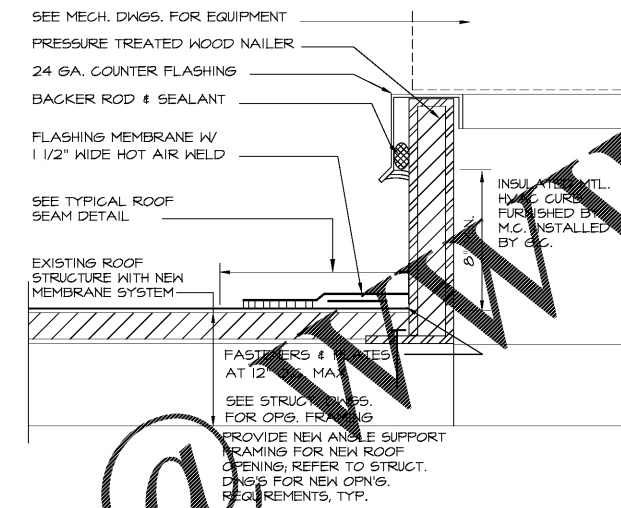
9 A4  
DETAIL  
NOT TO SCALE



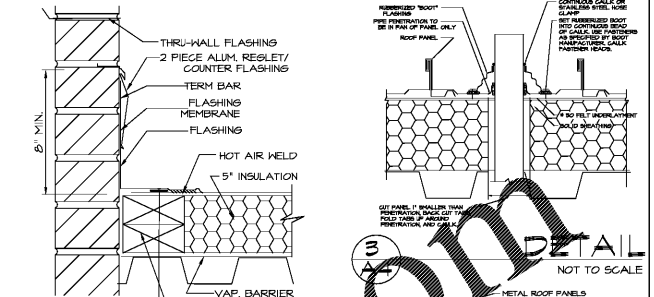
10 A4  
DETAIL  
NOT TO SCALE



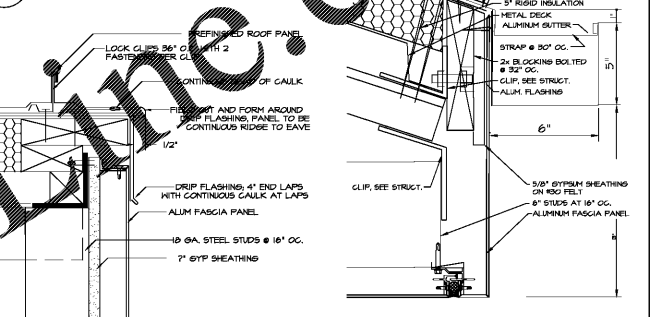
1 A4  
DETAIL  
NOT TO SCALE



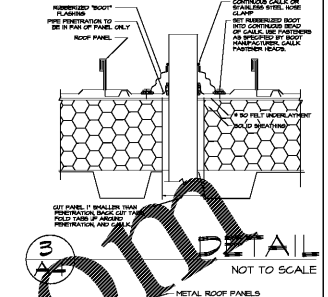
11 A4  
DETAIL  
NOT TO SCALE



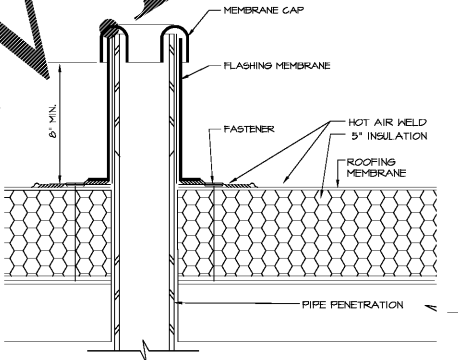
4 A4  
DETAIL  
NOT TO SCALE



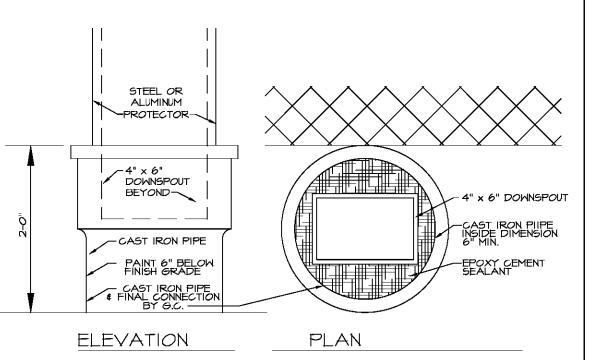
5 A4  
DETAIL  
NOT TO SCALE



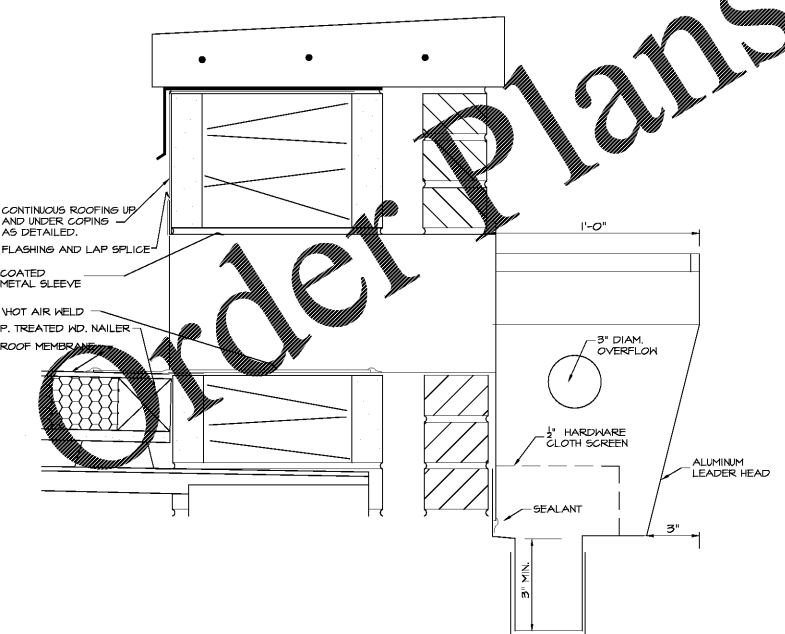
6 A4  
DETAIL  
NOT TO SCALE



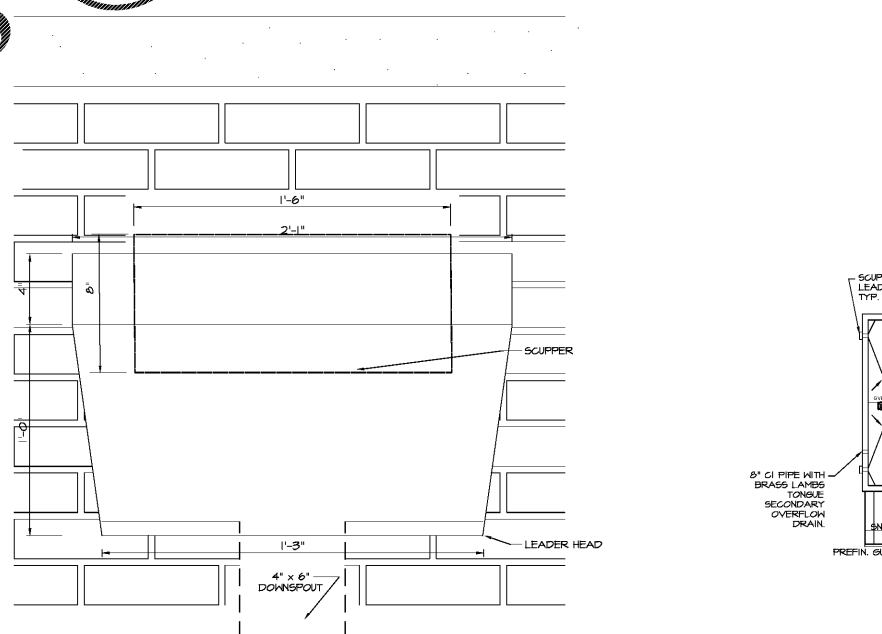
12 A4  
DETAIL  
NOT TO SCALE



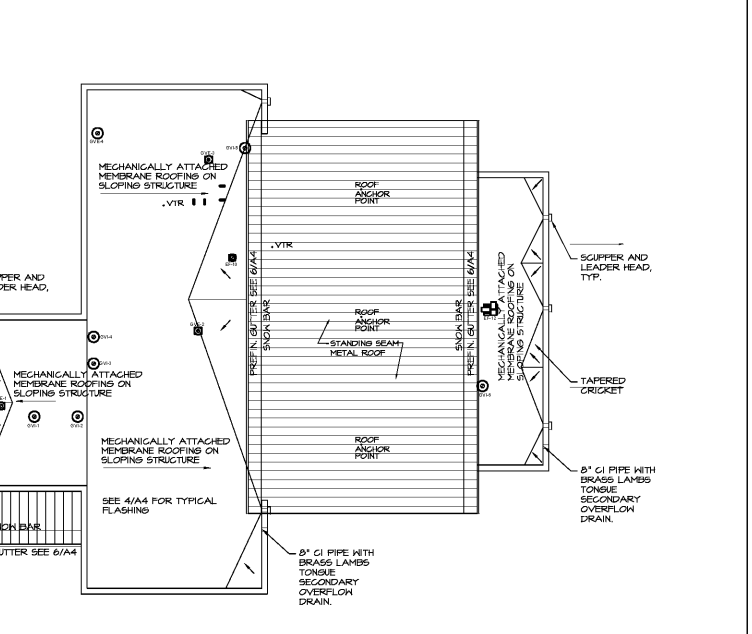
2 A4  
DETAIL  
NOT TO SCALE



13 A4  
DETAIL  
NOT TO SCALE



14 A4  
DETAIL  
NOT TO SCALE



1 A4  
FLOOR PLAN  
SCALE: 1/8\"/>

SCUPPER/LEADER HEAD DETAILS  
NOT TO SCALE

FLOOR PLAN  
SCALE: 1/8\"/>