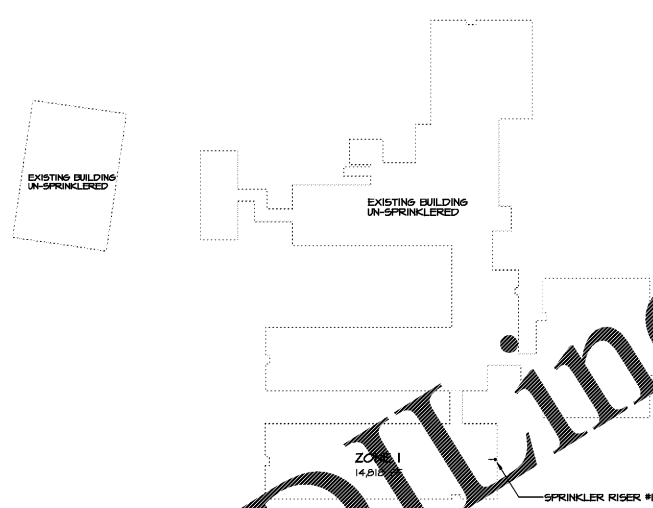


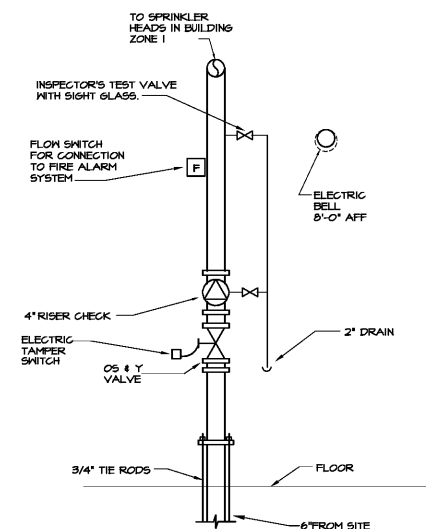
DRAWING ISSUE RECORD		
DATE	REVISIONS	NO.
4-6-2021	ISSUE TO BID	

ADDITION TO COLHAM FERRY  
 ELEMENTARY SCHOOL  
 191 COLHAM FERRY ROAD, WYKINSVILLE, GA 30677  
 FOR THE  
 OCONEE COUNTY BOARD OF EDUCATION  
 OCONEE COUNTY, GA  
 ODE FACILITY CODE 3530

DATE: DECEMBER 15, 2020  
 JOB NO. B-L-15071-20  
 DWG. BY: J.C.F.  
 CK. BY: M.W.D.



1 FIRE PROTECTION PLAN  
 P3.1 NO SCALE - SCHEMATIC ONLY



2 SPRINKLER RISER #1 DETAIL  
 P3.2 NO SCALE - SCHEMATIC ONLY

FLOW TEST PROVIDED BY AMBER FIRE PROTECTION  
**WATER FLOW TEST DATA**  
 FLOW TEST DATE: 2/4/2021  
 TEST LOCATION: 191 COLHAM FERRY RD  
 STATIC PRESSURE: 102 PSI  
 RESIDUAL PRESSURE: 42 PSI  
 FLOW - 1.221 GPM  
 FLOW AVAILABLE @ 20 P.S.I. = 1.209 GPM

NOTE: FLOW TEST ABOVE IS FOR PERMITTING PURPOSE ONLY. SPRINKLER CONTRACTOR SHALL PERFORM A SEPARATE 24 HOUR FLOW TEST TO CONFIRM PRESSURES FOR THE DESIGN OF THE FIRE PROTECTION SYSTEM. ALL FIRE FLOWS SHALL MEET THE REQUIRED FLOW RATES FOUND IN INTERNATIONAL FIRE CODES 2018/2021-3

Order Plans @ [www.LDILine.com](http://www.LDILine.com)

cunningham forehand matthews moore  
 cunningham, forehand, matthews & moore, architects, inc. - 2011 manchester street, n.e. - atlanta, georgia 30324 - phone (404) 873-2152

