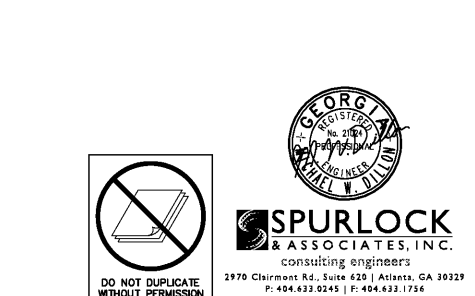
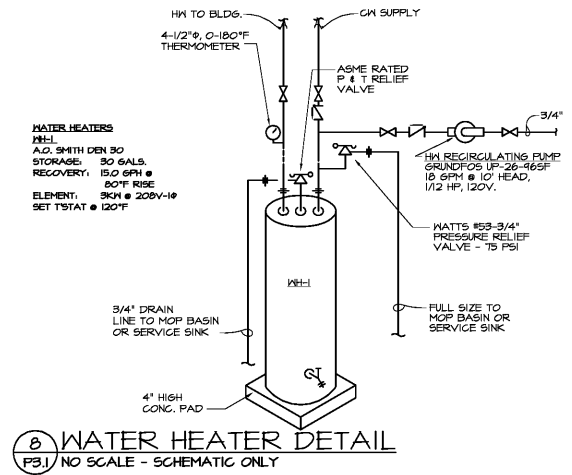
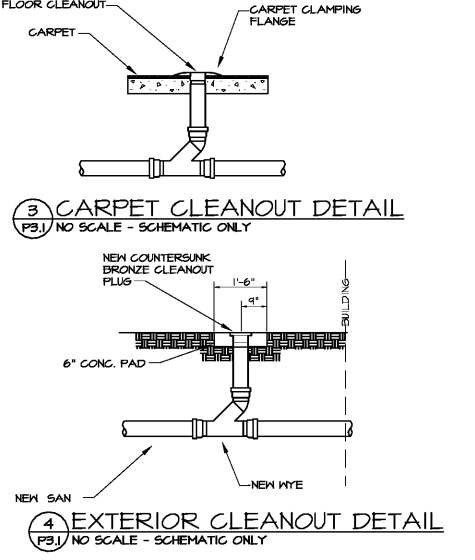
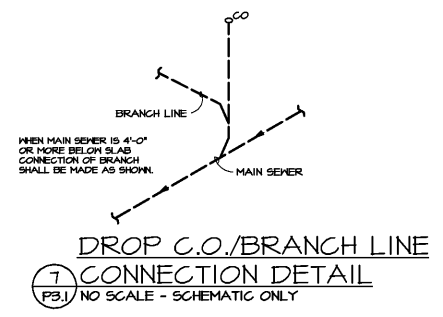
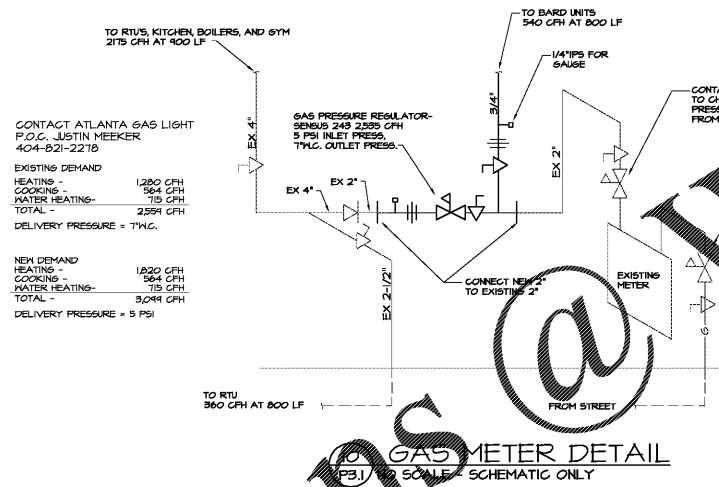
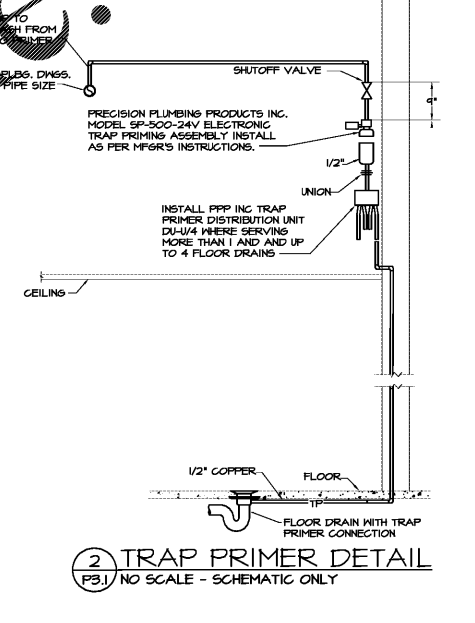
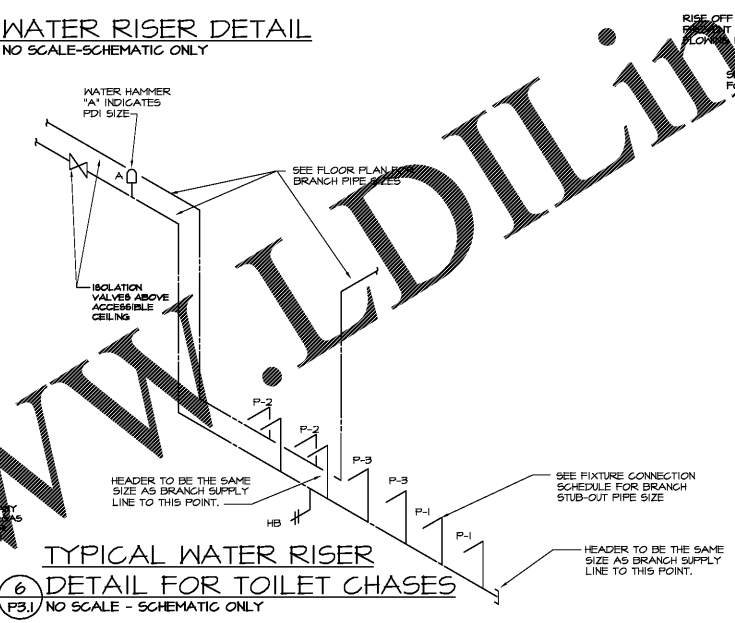
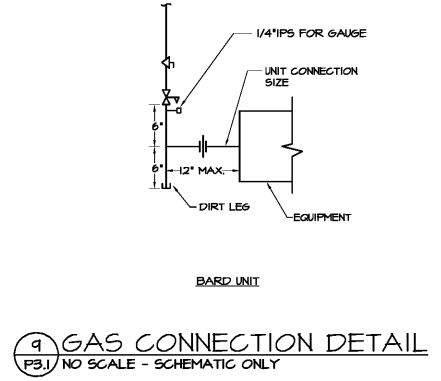
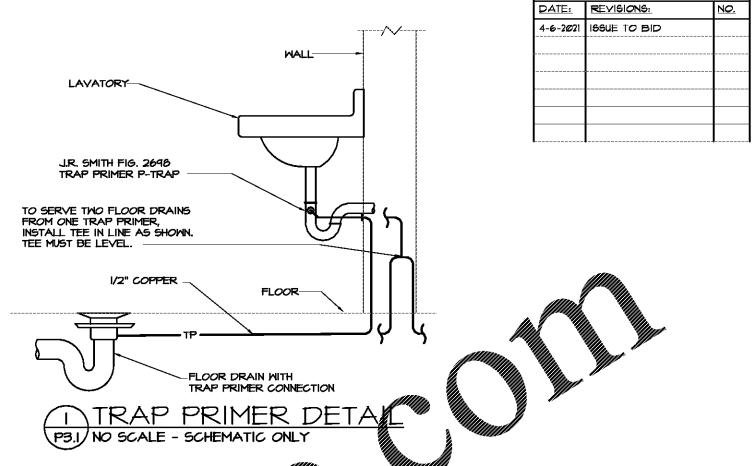
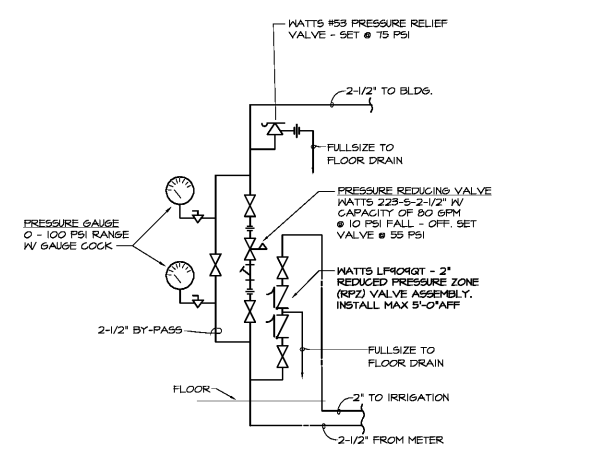


PLUMBING LEGEND

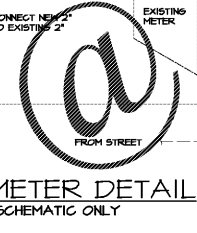
| SYMBOL | DESCRIPTION |
|--------|--|
| --- | SOIL OR WASTE ABOVE SLAB |
| --- | SOIL OR WASTE PIPING BELOW SLAB OR GRADE |
| --- | VENT PIPING |
| --- | COLD WATER PIPING |
| --- | HOT WATER PIPING |
| --- | 140° HOT WATER PIPING |
| --- | HOT WATER RECIRCULATING PIPING |
| --- | RAIN WATER ABOVE SLAB |
| --- | EMERGENCY RAIN WATER ABOVE SLAB |
| --- | RAIN WATER BELOW SLAB OR GRADE |
| --- | PIPES TO BE REMOVED |
| --- | SUPPLY PIPING TO TRAP PRIMER |
| --- | AIR PIPING |
| --- | OVERHEAD AIR OUTLET |
| --- | OVERHEAD AIR AND WATER OUTLET |
| --- | AIR OUTLET |
| --- | GAS PIPING ABOVE SLAB OR GRADE |
| --- | GAS PIPING BELOW SLAB OR GRADE |
| --- | HPS HIGH PRESSURE GAS PIPING ABOVE SLAB OR GRADE |
| --- | HPS HIGH PRESSURE GAS PIPING BELOW SLAB OR GRADE |
| --- | GH GREASE WASTE PIPING ABOVE SLAB OR GRADE |
| --- | GH GREASE WASTE PIPING BELOW SLAB OR GRADE |
| --- | AH ACID WASTE PIPING ABOVE SLAB OR GRADE |
| --- | AH ACID WASTE PIPING BELOW SLAB OR GRADE |
| --- | WA WATER HAMMER ARRESTER, "A" INDICATES P.D.I. SIZE |
| --- | SV GATE VALVE OR BALL VALVE |
| --- | RV VALVE IN RISER |
| --- | CV CHECK VALVE |
| --- | PRV PRESSURE RELIEF VALVE |
| --- | PRV PRESSURE REDUCING VALVE |
| --- | GC GAS COCK |
| --- | SV SOLENOID VALVE |
| --- | ECV ENERGY CUT-OFF VALVE |
| --- | BV BALANCING VALVE |
| --- | HB HOSE BIBB - INSTALL 16" AFF AT LAVATORIES, 24" AFF IN SHOPS |
| --- | MH WALL HYDRANT - INSTALL 16" ABOVE FINISHED GRADE |
| --- | FD FLOOR DRAIN, "A" INDICATES TYPE |
| --- | P-TRAP |
| --- | GC CLEANOUT IN MALL - INSTALL 12" AFF MINIMUM |
| --- | GC CLEANOUT IN FLOOR SLAB OR FINISH GRADE |
| --- | VTR VENT THROUGH ROOF |
| --- | PT PIPE TURNING UP |
| --- | PTD PIPE TURNING DOWN |
| --- | TSC TEE CONNECTION IN SIDE OF PIPE |
| --- | TTC TEE CONNECTION IN TOP OF PIPE |
| --- | TBC TEE CONNECTION IN BOTTOM OF PIPE |
| --- | UNION |
| --- | EC END CAP |
| --- | INC INCREASER |
| --- | RD ROOF DRAIN |
| --- | ERD EMERGENCY ROOF DRAIN |
| --- | DS/DSN DOWN SPOUT / DOWN SPOUT NOZZLE |
| --- | RWRK RAIN WATER PIPING / EMERGENCY RAIN WATER PIPING |
| --- | RLER RAIN LEADER / EMERGENCY RAIN LEADER |
| --- | FDG FIRE DEPARTMENT CONNECTION |
| --- | FL FIRE LINE |
| --- | FR FIRE HYDRANT |
| --- | AVC ABOVE CEILING |
| --- | AFV ABOVE FINISHED FLOOR / ABOVE FLOOR |
| --- | INV. / I.E. INVERT ELEVATION |
| --- | EXIST. / EX. EXISTING |
| --- | DN DOWN |
| --- | HC HANDICAP |
| --- | BF BARRIER FREE |
| --- | CO CLEAN OUT |
| --- | ECO EXISTING CLEAN OUT |
| --- | DCO DROP CLEAN OUT |
| --- | BFF/BF BELOW FINISHED FLOOR / BELOW FLOOR |
| --- | B/G BELOW GRADE |
| --- | FA FROM ABOVE |
| --- | DST DEEP SEAL TRAP |
| --- | H WASTE |
| --- | SAN SANITARY |
| --- | V VENT |
| --- | HWM HOT WATER |
| --- | CM COLD WATER |
| --- | AM ACID WASTE |
| --- | AV ACID VENT |
| --- | AVTR ACID VENT THRU ROOF |
| --- | GM GREASE WASTE |

| FIXTURE CONNECTION SCHEDULE | | | | | | |
|-----------------------------|---------------------------------------|-----------------|----------------|-----------------|----------------|------------------------|
| DESIG. | FIXTURE | COLD WATER | | HOT WATER | | MOUNTING HEIGHT TO RIM |
| | | BRANCH STUB-OUT | FIXTURE SUPPLY | BRANCH STUB-OUT | FIXTURE SUPPLY | |
| P-1 | WATER CLOSET (BF) | 1" | 1" | --- | --- | 4" |
| P-1a | WATER CLOSET | 1" | 1" | --- | --- | 4" |
| P-1b | WATER CLOSET (STUDENT-BF) | 1" | 1" | --- | --- | 4" |
| P-2 | LAVATORY (BF) | 1/2" | 3/8" | 1/2" | 3/8" | 1-1/4" 24" TO BOT. |
| P-2a | LAVATORY (STUDENT) | 1/2" | 3/8" | --- | --- | 30" |
| P-2b | LAVATORY (STUDENT-BF) | 1/2" | 3/8" | --- | --- | 1-1/4" 21" TO BOT. |
| P-3 | URINAL | 3/4" | 3/4" | --- | --- | 2" |
| P-3a | URINAL (BF) | 3/4" | 3/4" | --- | --- | 15" |
| P-4 | MOP BASIN | 1/2" | 1/2" | 1/2" | 1/2" | 3" |
| P-5 | ELEG. WATER COOLER | 1/2" | 3/8" | --- | --- | 1-1/4" 40" TO SPOUT |
| P-5a | ELEG. WATER COOLER (BF) BOTTLE FILLER | 1/2" | 3/8" | --- | --- | 1-1/4" 36" TO SPOUT |
| P-6 | SINK, WORKROOM | 1/2" | 3/8" | 1/2" | 3/8" | 1-1/2" |
| P-6a | SINK, CLASSROOM (ELEMENTARY) | 1/2" | 3/8" | --- | --- | 1-1/2" |

| DRAWING ISSUE RECORD | | |
|----------------------|--------------|-----|
| DATE | REVISION | NO. |
| 4-8-2019 | ISSUE TO BID | |



Order Plans @



ADDITION TO COLHAM FERRY ELEMENTARY SCHOOL

191 COLHAM FERRY ROAD, WYKINSVILLE, GA 30677
FOR THE BOARD OF EDUCATION
OCONEE COUNTY, GA
DDE FACILITY CODE 5530

cunningham forehand matthews moore

cunningham, forehand, matthews & moore, architects, inc. - 2011 manchester street, n.e. - atlanta, georgia 30324 - phone (404) 873-2152

P3.1

SPURLOCK & ASSOCIATES, INC.
consulting engineers
2970 Clairmont Rd., Suite 620 | Atlanta, GA 30329
P: 404.632.0245 | F: 404.632.1736
SA JOB NO. 2163

