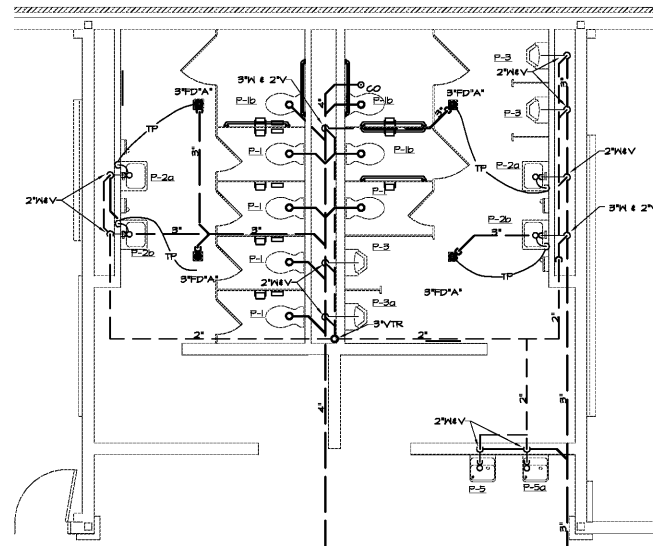
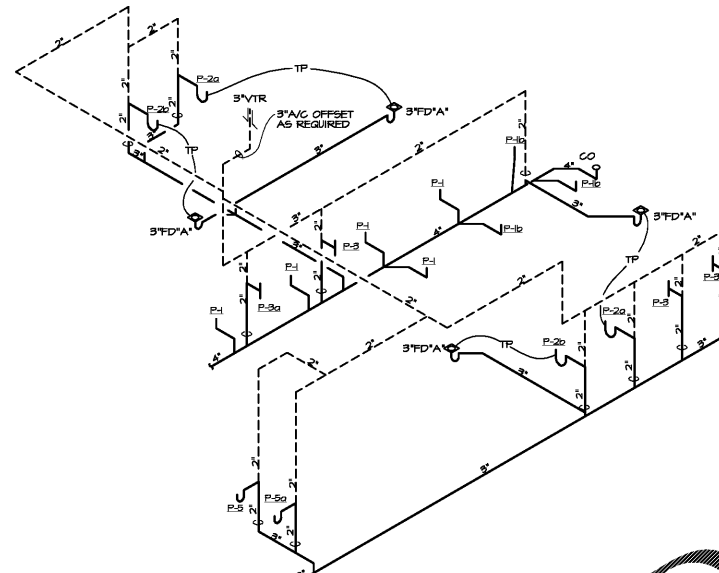


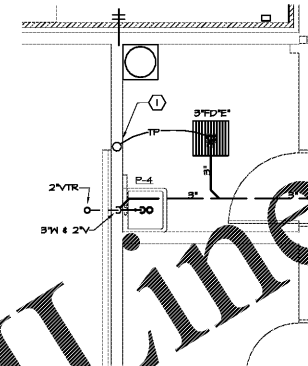
DRAWING ISSUE RECORD		
DATE	REVISIONS	NO.
4-6-2011	ISSUE TO BID	



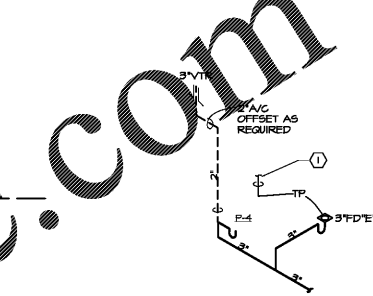
1 SW & V PLAN  
P2.1 SCALE: 1/4"=1'-0"



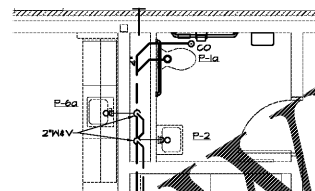
2 S, W, & V RISER  
P2.1 NO SCALE, SCHEMATIC ONLY



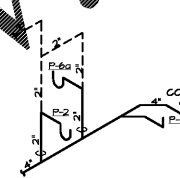
7 SW & V PLAN  
P2.1 SCALE: 1/4"=1'-0"



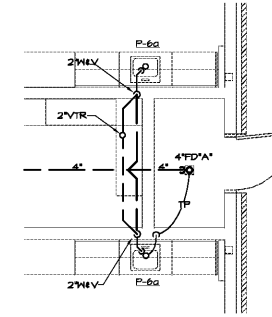
8 S, W, & V RISER  
P2.1 NO SCALE, SCHEMATIC ONLY



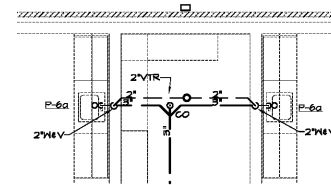
3 SW & V PLAN  
P2.1 SCALE: 1/4"=1'-0"



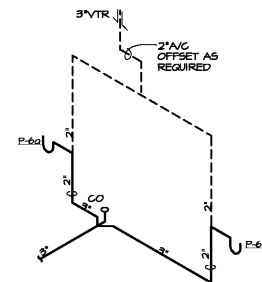
4 S, W, & V RISER  
P2.1 NO SCALE, SCHEMATIC ONLY



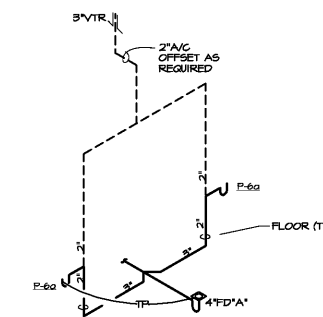
9 SW & V PLAN  
P2.1 SCALE: 1/4"=1'-0"



5 SW & V PLAN  
P2.1 SCALE: 1/4"=1'-0"



6 S, W, & V RISER  
P2.1 NO SCALE, SCHEMATIC ONLY



10 S, W, & V RISER  
P2.1 NO SCALE, SCHEMATIC ONLY

Order Plans @

www.LDILine.com

cunningham foehand matthews moore

ADDITION TO COLHAM FERRY  
ELEMENTARY SCHOOL

191 COLHAM FERRY ROAD, MARIANVILLE, GA 30077  
FOR THE BOARD OF EDUCATION  
OCONEE COUNTY, GA  
DDE FACILITY CODE 3530

DATE: DECEMBER 15, 2010 JOB NO. B-L-1001-20 UNK. BY: J.C.F. CK. BY: M.W.D.  
cunningham, foehand, matthews & moore, architects, inc. - atlanta, georgia 30324 - phone (404) 873-2152



DO NOT DUPLICATE  
WITHOUT PERMISSION



**SPURLOCK**  
& ASSOCIATES, INC.  
consulting engineers

2970 Clairmont Rd., Suite 620 | Atlanta, GA 30329  
P: 404.632.0245 | F: 404.632.1736  
GA JOB NO. 2102

P2.1