

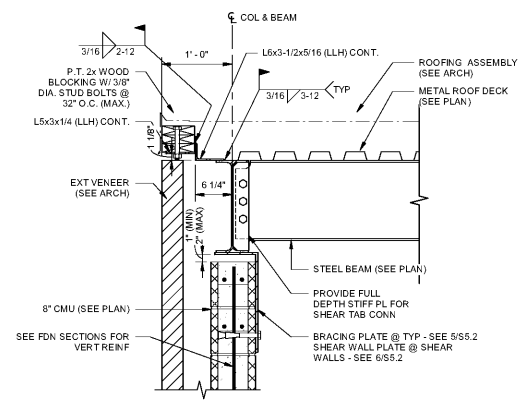
DRAWING ISSUE RECORD		
DATE	REVISIONS	NO.
4-6-2021	ISSUE TO BID	



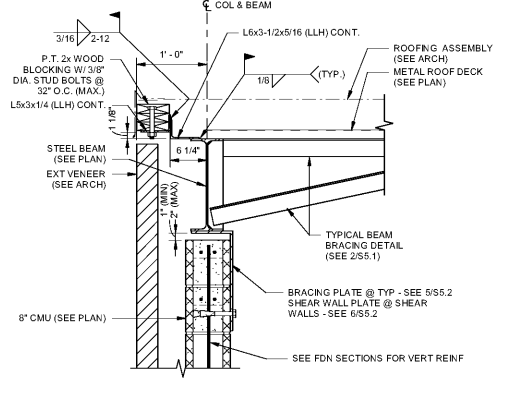
ADDITION TO COLHAM FERRY
ELEMENTARY SCHOOL
191 COLHAM FERRY ROAD, WATKINSVILLE, GA 30677
FOR THE
OCCOONEE COUNTY BOARD OF EDUCATION
OCCOONEE COUNTY, GEORGIA
DOE FACILITY CODE 3050

DATE: DECEMBER 15, 2020
JOB NO: SHL-007-20
JOB REV: TUL
JOB REV: ABS

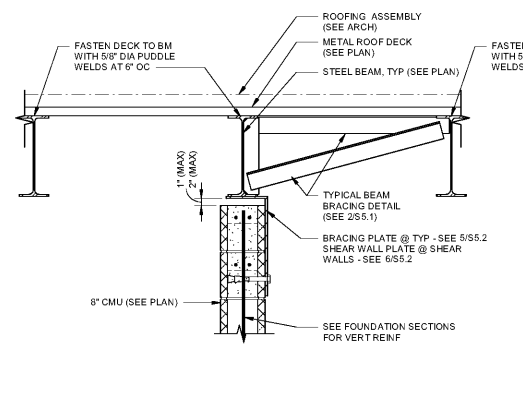
cunningham forehand matthews moore
cunningham, forehand, matthews & moore, architects, inc. - 2011 manchester street, n.e. - atlanta, georgia 30324 - phone (404) 873-2152



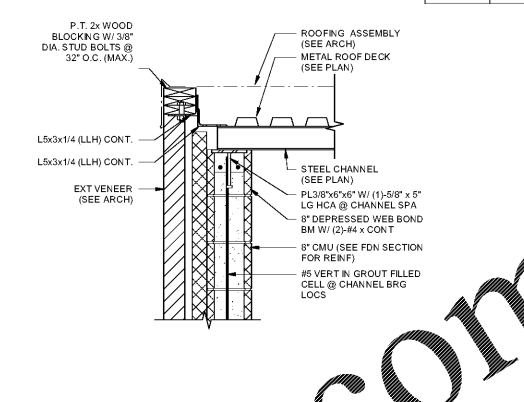
EXTERIOR ROOF SECTION PERPENDICULAR TO FRAMING
SCALE: 1" = 1'-0"
S5.2



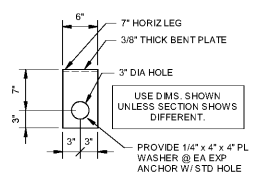
EXTERIOR ROOF SECTION PARALLEL TO FRAMING
SCALE: 1" = 1'-0"
S5.2



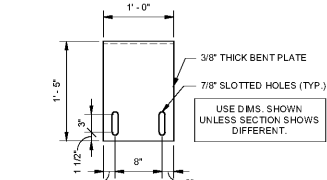
TYP CONNECTION @ INTERIOR SHEAR WALLS
SCALE: 1" = 1'-0"
S5.2



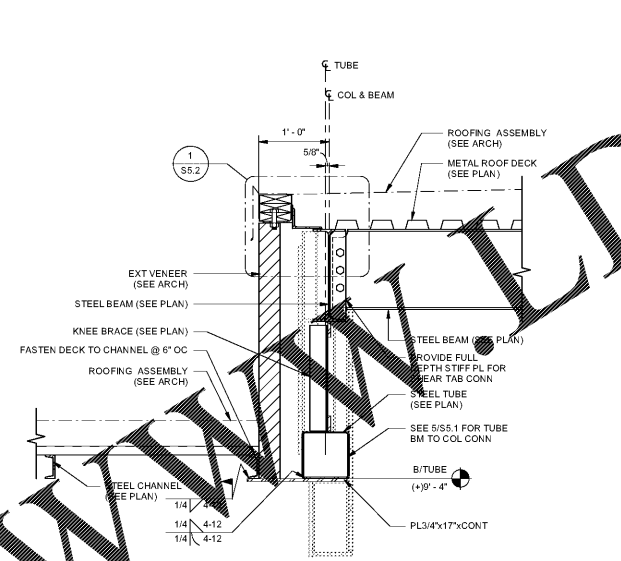
CHANNEL BEARING ON CMU WALL - SEE PLAN
SCALE: 1" = 1'-0"
S5.2



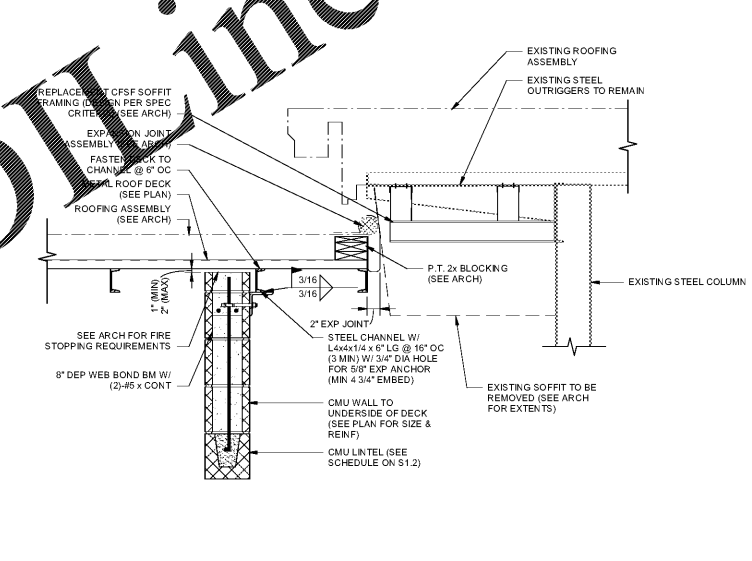
TYP T/CMU BENT PL CONN TO B/BM @ EXTERIOR NON-SW'S
SCALE: 1" = 1'-0"
S5.2



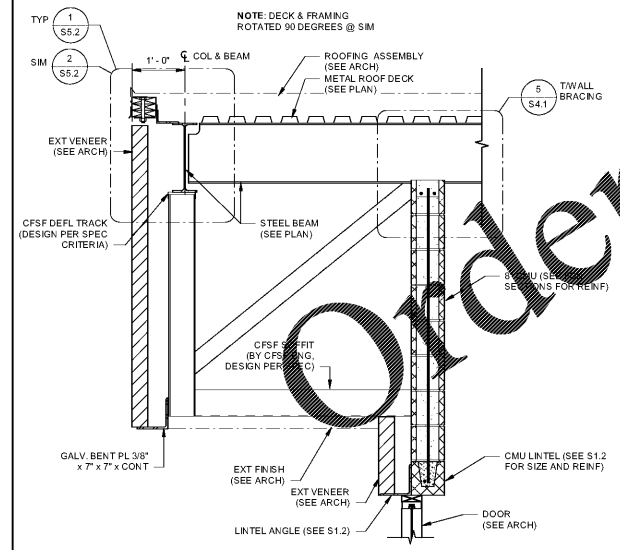
TYP T/CMU BENT PL CONN TO B/BM @ SHEAR WALLS
SCALE: 1" = 1'-0"
S5.2



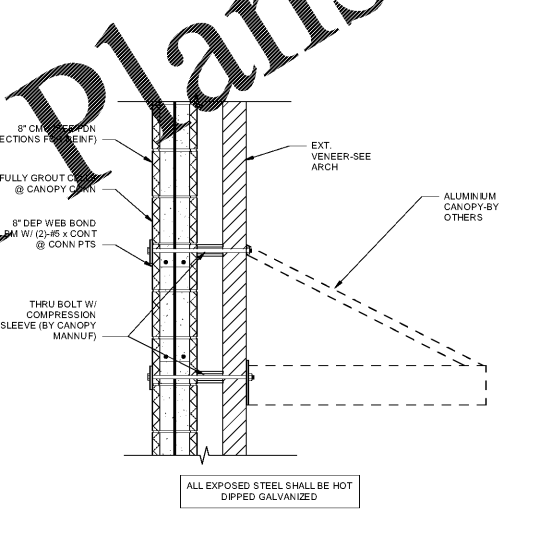
ROOF SECTION @ CONNECTOR
SCALE: 1" = 1'-0"
S5.2



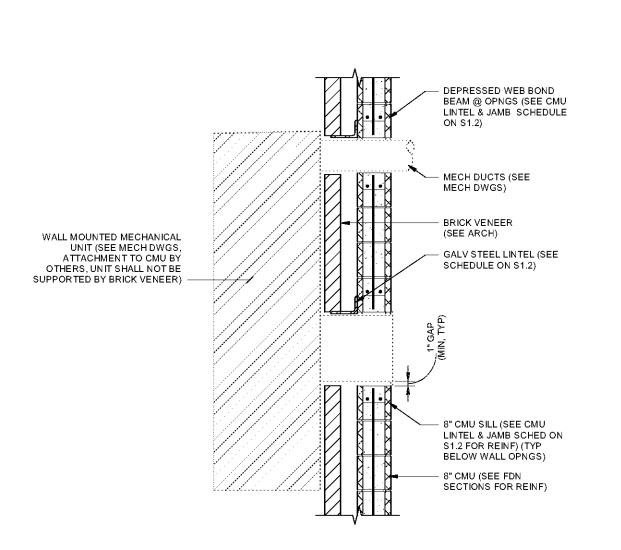
CONNECTOR SECTION @ EXISTING BUILDING
SCALE: 1" = 1'-0"
S5.2



ROOF FRAMING @ RECESSED ENTRY
SCALE: 3/4" = 1'-0"
S5.2



TYP ALUMINUM CANOPY CONN TO CMU WALL
SCALE: 1" = 1'-0"
S5.2



SECTION @ WALL MOUNTED MECHANICAL UNIT
SCALE: 3/4" = 1'-0"
S5.2

PES STRUCTURAL ENGINEERS
ADDRESS: 1865 Century Place NE, Suite 201, Atlanta, Georgia 30345
PHONE: 770-451-5959 FAX: 770-451-2959 WEB: www.pesengineers.com
PES PROJECT NUMBER: 0221066
PES GEORGIA COA NUMBER: PEF000799
EXPIRATION DATE: 06/30/2022



S5.2