

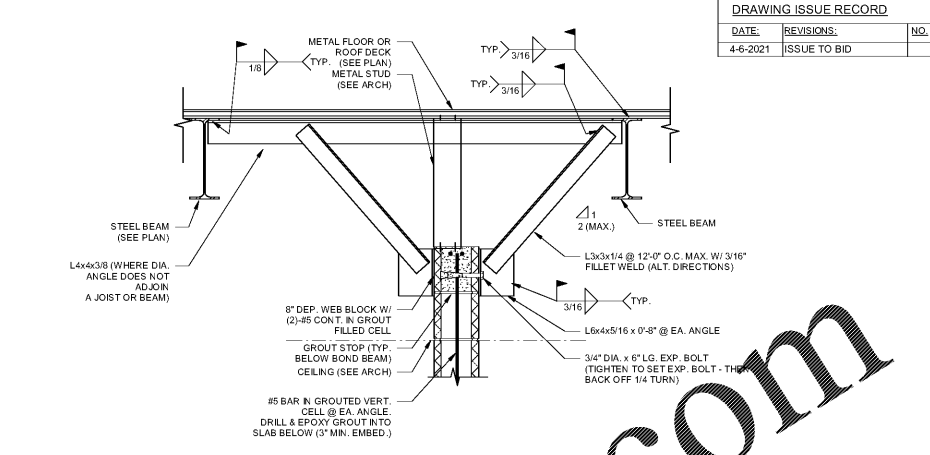
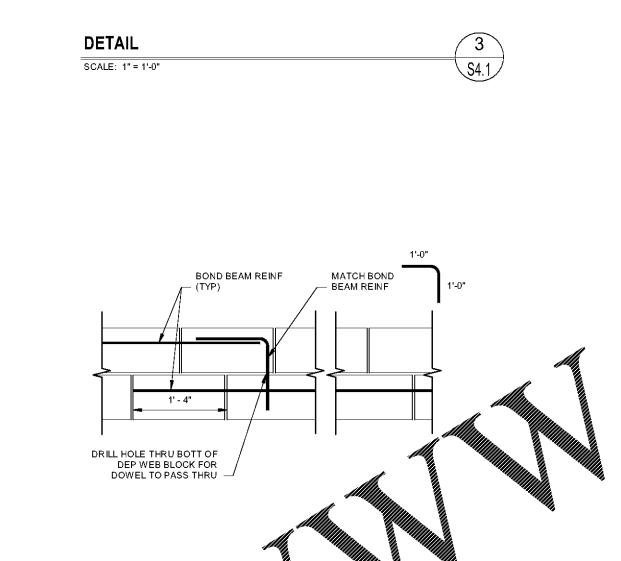
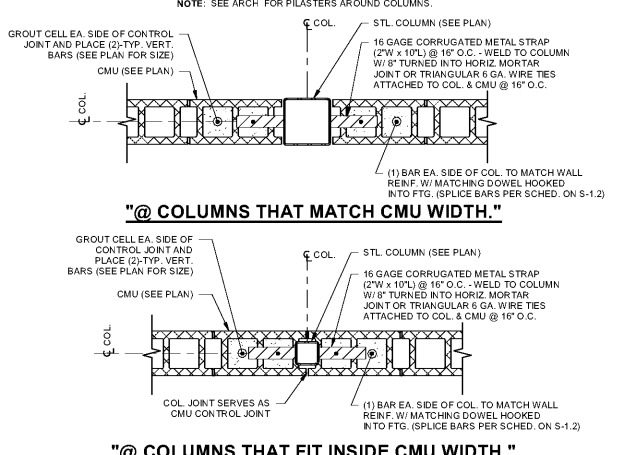
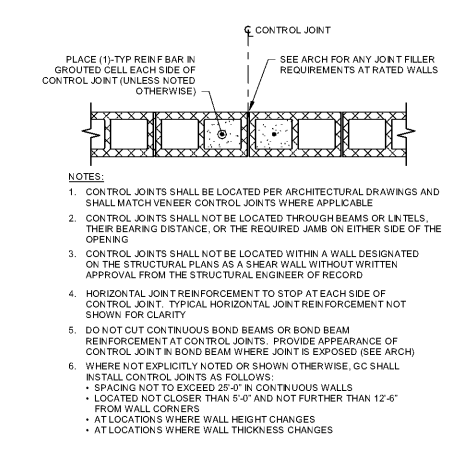
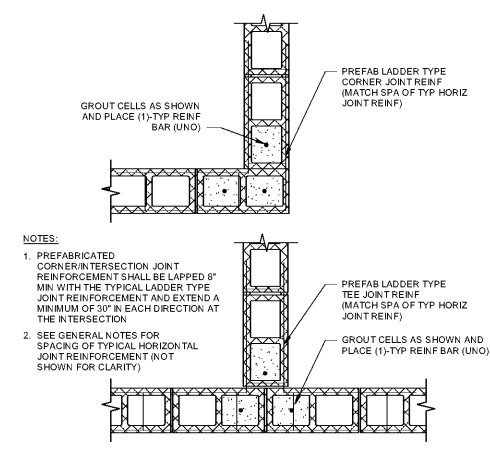
| DRAWING ISSUE RECORD | | |
|----------------------|--------------|-----|
| DATE | REVISIONS | NO. |
| 4-6-2021 | ISSUE TO BID | |



ADDITION TO COLHAM FERRY
ELEMENTARY SCHOOL
191 COLHAM FERRY ROAD, WATKINSVILLE, GA 30677
FOR THE
OCONEE COUNTY BOARD OF EDUCATION
OCONEE COUNTY, GEORGIA
DOE FACILITY CODE 3050

DATE: DECEMBER 15, 2020
JOB NO: SHL-007-20
JOB BY: TUL
SCALE: S4.1

cunningham forehand matthews moore
cunningham, forehand, matthews & moore, architects, inc. - atlanta, georgia 30324 - phone (404) 873-2152

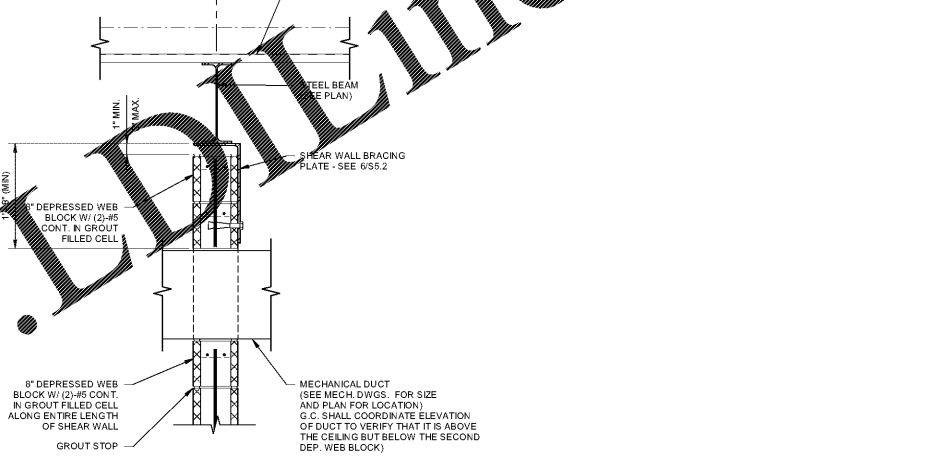
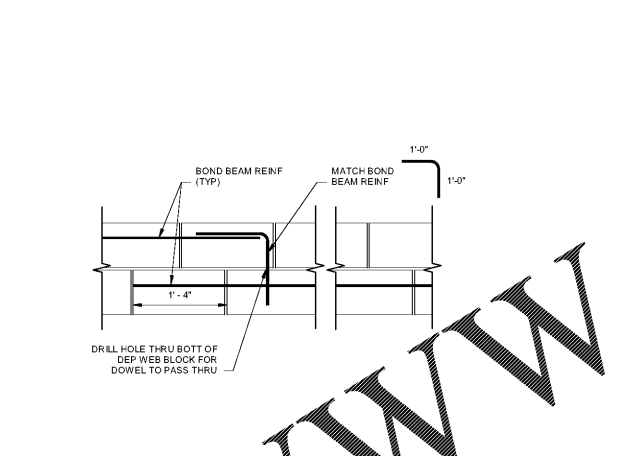
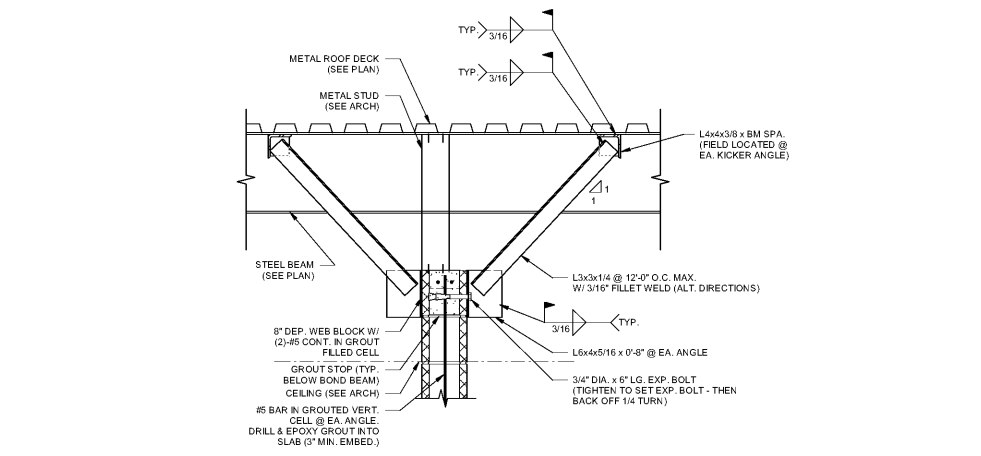


TYP. CMU WALL CORNER/INTERSECTION REIN
SCALE: 1" = 1'-0"

TYPICAL CMU WALL CONTROL JOINT
SCALE: 1" = 1'-0"

DETAIL
SCALE: 1" = 1'-0"

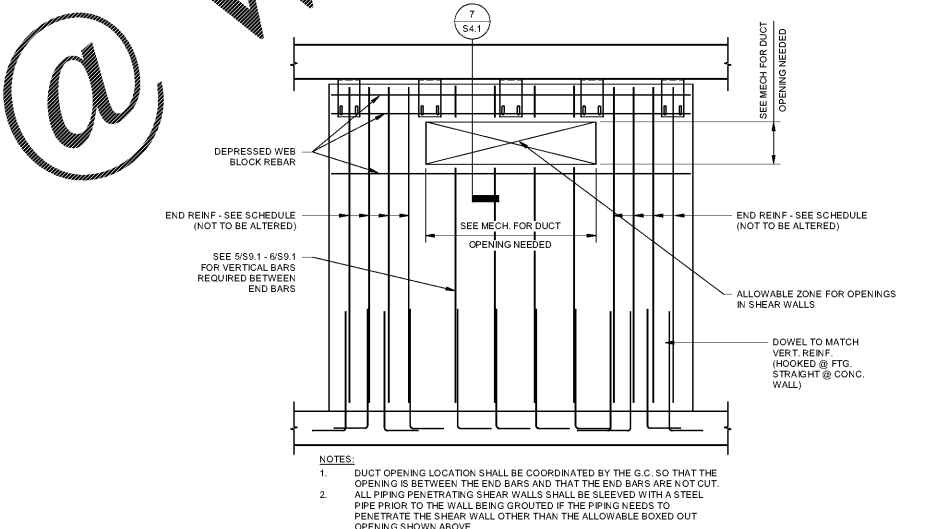
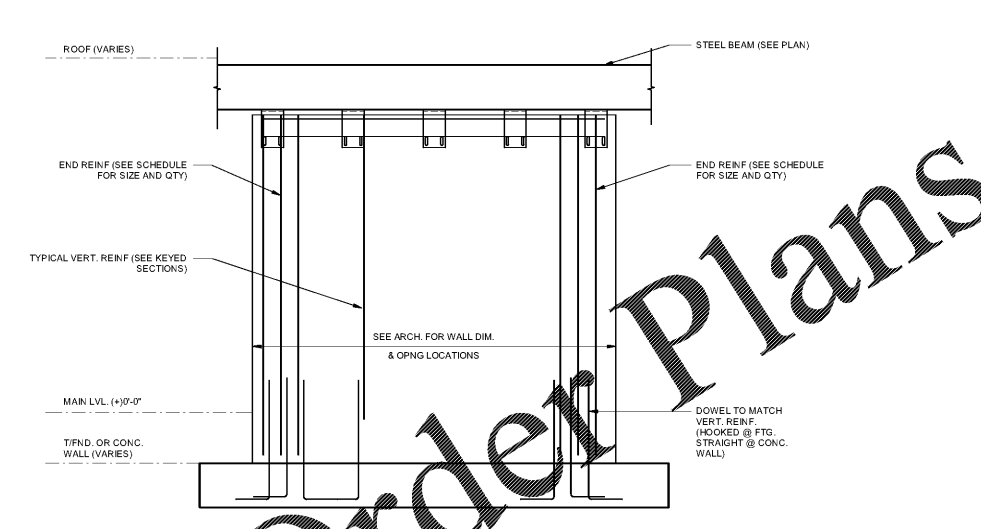
TYP. INTERIOR CMU WALL TOP SUPPORT FOR UNSUPPORTED WALL HORIZ. LENGTHS EXCEEDING 28' AT 12" CMU WALLS, EXCEEDING 20' AT 8" CMU WALLS AND EXCEEDING 12' AT 6" CMU WALLS
SCALE: 1" = 1'-0"



TYP. INTERIOR CMU WALL TOP SUPPORT FOR UNSUPPORTED WALL HORIZ. LENGTHS EXCEEDING 28' AT 12" CMU WALLS, EXCEEDING 20' AT 8" CMU WALLS AND EXCEEDING 12' AT 6" CMU WALLS
SCALE: 1" = 1'-0"

TYP. STEP IN MASONRY BOND BEAM
SCALE: 1" = 1'-0"

DETAIL
SCALE: 1" = 1'-0"



| SHEAR WALL REINFORCING SCHEDULE | | | | | | |
|---------------------------------|---|----------------|---|-------------------------|---|----|
| MARK | VERT. BARS & ENDS OF WALL (TOTAL BARS INCLUDING BARS SPECIFIED AT OPENING JAMB) | | SOLID GROUT-FILLED CELL SPACING BETWEEN VERT. END BARS (SEE NOTE 2) | | BOND BEAM HORIZONTAL REINFORCING & VERTICAL SPACING | |
| | NO. CELLS | REBAR PER CELL | EA. END | (1)-#6 | NR | NR |
| B-SW-1 | V1 & V2 | 2 | (1)-#6 | GROUT REINF. CELLS ONLY | NR | NR |

NOTES:
1. SEE 8/S4.1 FOR V1, V2 & H1 LAYOUT REQUIRED FOR SHEAR WALL ELEVATIONS.
2. PLEASE NOTE GROUT SPACING VARIES AS NEEDED ACCORDING TO SHEAR WALL CAPACITY REQUIRED. GROUT SPACING DOES NOT MATCH VERTICAL REINFORCEMENT SPACING IN ALL CASES.
3. "NR" INDICATES BOND BEAM NOT REQUIRED.
4. SEE 9/S4.1 FOR ALLOWABLE SHEAR WALL PENETRATION LOCATIONS.

TYPICAL SHEAR WALL ELEVATION
SCALE: 3/8" = 1'-0"

TYP. ALLOWABLE SHEAR WALL PENETRATIONS
SCALE: 3/8" = 1'-0"

PES STRUCTURAL ENGINEERS
ADDRESS: 1865 Century Place, NE, Suite 201, Atlanta, Georgia 30345
PHONE: 770-451-5855 FAX: 770-451-2888 WEB: www.pesengineers.com
PES PROJECT NUMBER: 221066
PES GEORGIA COA NUMBER: PEF000799
EXPIRATION DATE: 08/30/2022



S4.1