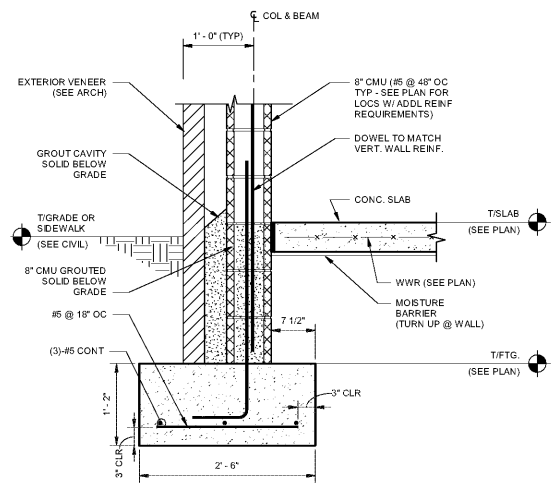


DRAWING ISSUE RECORD		
DATE	REVISIONS	NO.
4-6-2021	ISSUE TO BID	

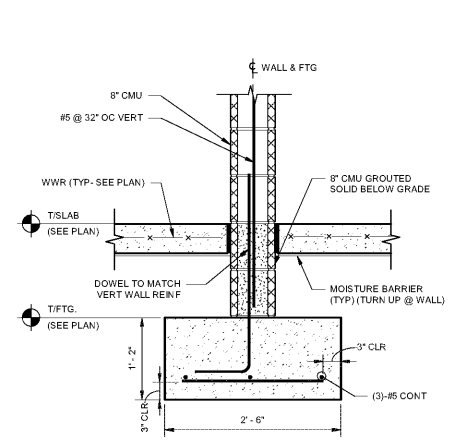


ADDITION TO COLHAM FERRY  
 ELEMENTARY SCHOOL  
 191 COLHAM FERRY ROAD, WATKINSVILLE, GA 30677  
 FOR THE  
 OCONEE COUNTY BOARD OF EDUCATION  
 OCONEE COUNTY, GEORGIA  
 DOE FACILITY CODE 3050

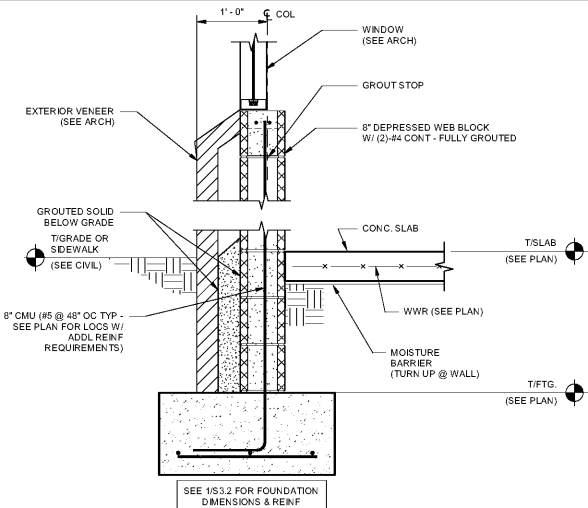
DATE: DECEMBER 15, 2020  
 SHEET NO: SHL-007-20  
 DRAWN BY: T.J.L.  
 CHECKED BY: A.B.S.



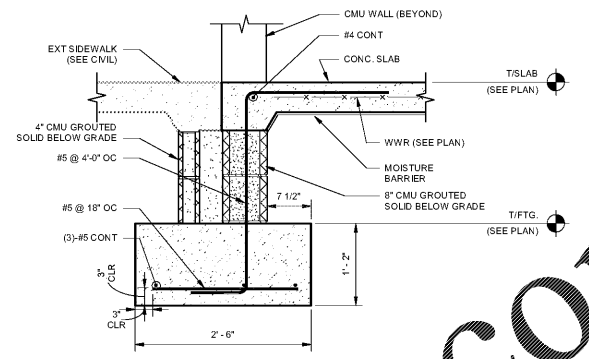
**TYPICAL EXTERIOR WALL FOUNDATION @ CMU** 1  
 SCALE: 1" = 1'-0"



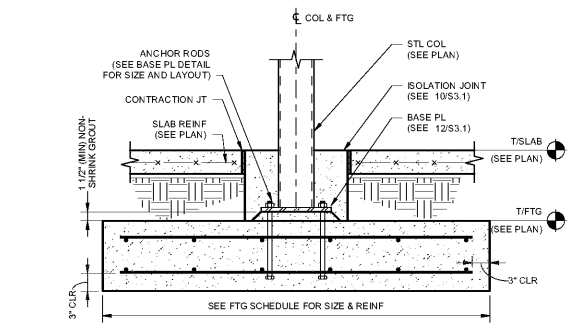
**TYP INTERIOR CMU WALL FOUNDATION @ SHEAR WALLS** 2  
 SCALE: 1" = 1'-0"



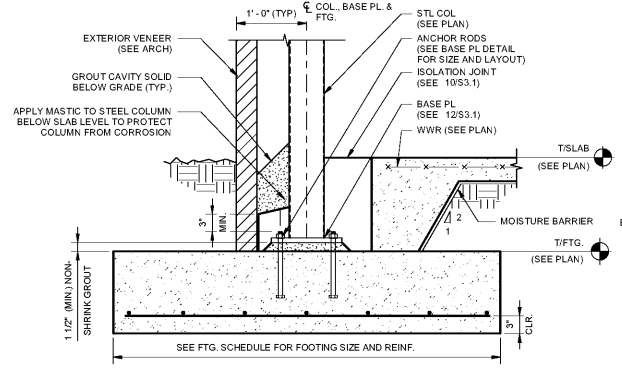
**TYP EXTERIOR WALL FOUNDATION @ WINDOWS** 3  
 SCALE: 1" = 1'-0"



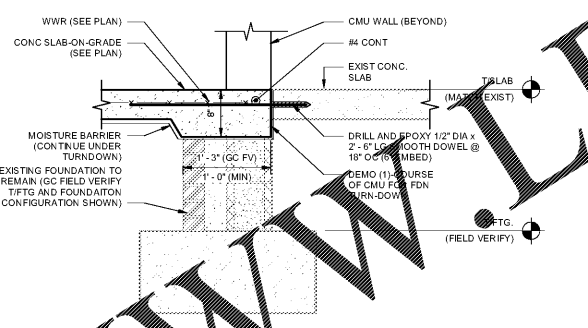
**TYPICAL TURNDOWN SLAB @ DOOR OPENINGS** 4  
 SCALE: 1" = 1'-0"



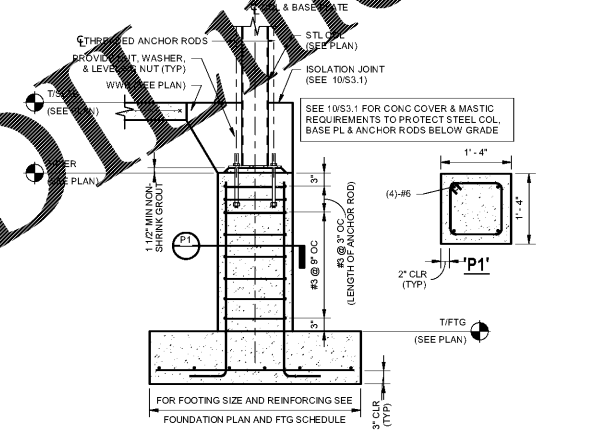
**TYPICAL INTERIOR COLUMN FOOTING** 5  
 SCALE: 1" = 1'-0"



**SECTION @ EXTERIOR COLUMN** 6  
 SCALE: 1" = 1'-0"



**SLAB CONN @ EXISTING FDN - SECTION** 7  
 SCALE: 1" = 1'-0"



**TYP COLUMN FOOTING WITH CONCRETE PIER** 8  
 SCALE: 3/4" = 1'-0"

Order Plans @ [www.lcdrawing.com](http://www.lcdrawing.com)

**PES STRUCTURAL ENGINEERS**  
 ADDRESS: 1855 Century Place, NE, Suite 201, Atlanta, Georgia 30345  
 PHONE: 770-451-5953 FAX: 770-451-2985 WEB: www.pesengineers.com  
 PES PROJECT NUMBER: 221066  
 PES GEORGIA COA NUMBER: PEF000799  
 EXPIRATION DATE: 08/30/2022



**cunningham forehand matthews moore**  
 cunningham, forehand, matthews & moore, architects, inc. - 2011 manchester street, n.e. - atlanta, georgia 30324 - phone (404) 873-2152