

DRAWING ISSUE RECORD		
DATE	REVISIONS	NO.
4-6-2021	ISSUE TO BID	

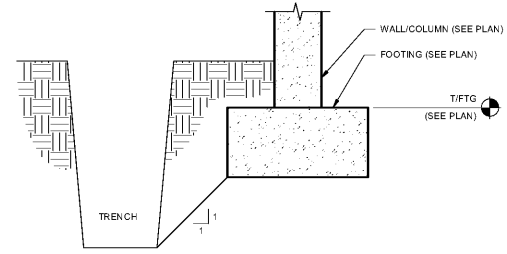


ADDITION TO COLHAM FERRY
ELEMENTARY SCHOOL
FOR THE
OCONEE COUNTY BOARD OF EDUCATION
OCONEE COUNTY, GEORGIA
DOE FACILITY CODE 3050

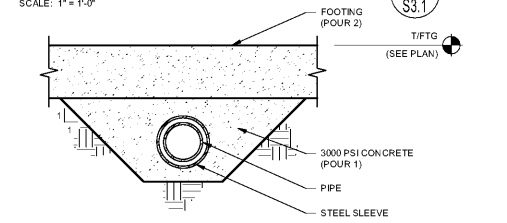
DATE: DECEMBER 15, 2020
JOB NO: SHL-007-20
JOB: TUL
S.C. #1
ABS

cunningham, forehand, matthews & moore, architects, inc. - 2011 manchester street, n.e. - atlanta, georgia 30324 - phone (404) 873-2152

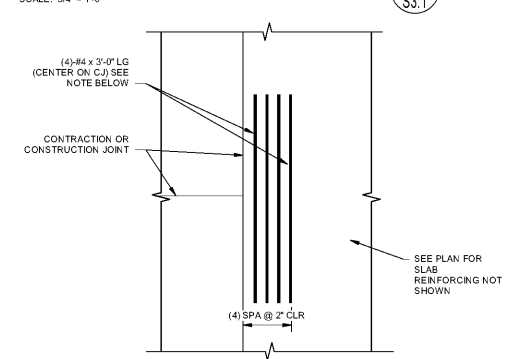
cunningham forehand matthews moore



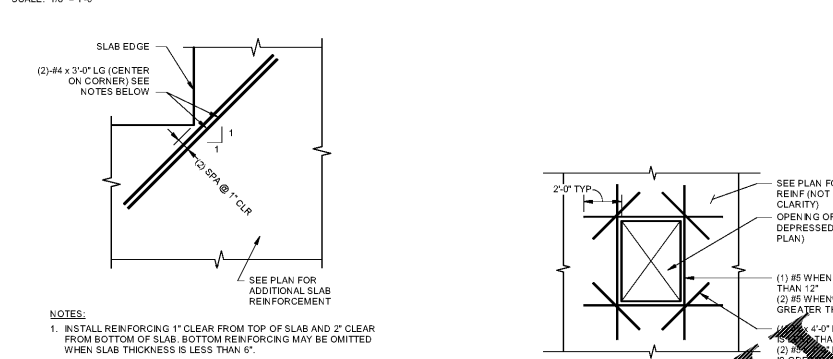
TYPICAL FOOTING ADJACENT TO TRENCH
SCALE: 1" = 1'-0"



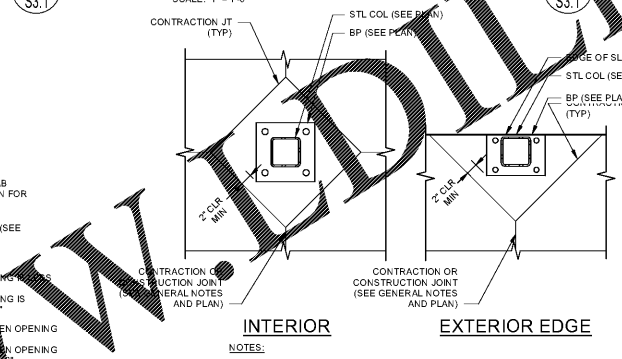
TYPICAL PIPE UNDER FOOTING
SCALE: 3/4" = 1'-0"



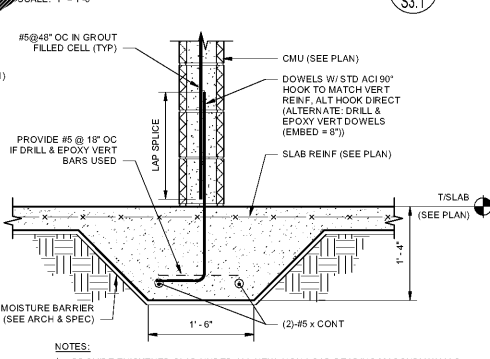
TYPICAL CONTROL JOINT KEY PLAN
SCALE: 1/8" = 1'-0"



TYPICAL DEPRESSED SLAB
SCALE: 1" = 1'-0"

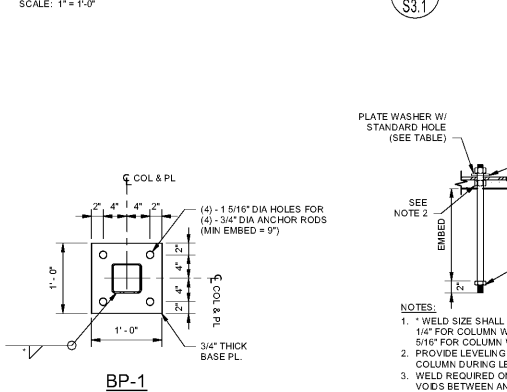


TYPICAL CONSTRUCTION/CONTRACTION JOINT
SCALE: 1" = 1'-0"

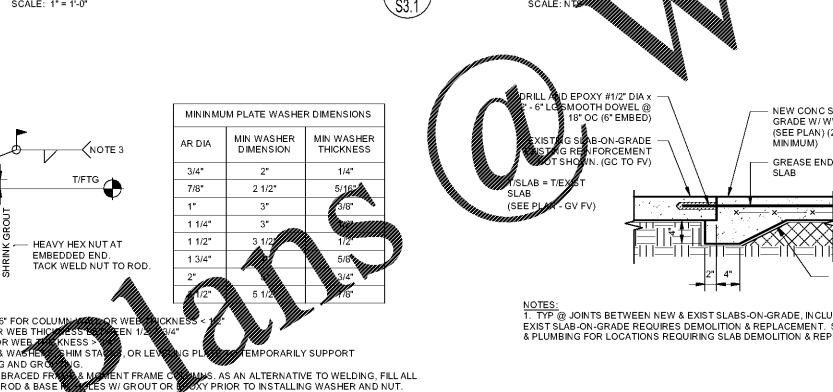


TYPICAL THICKENED SLAB UNDER NON-LOAD BEARING MASONRY WALL
SCALE: 1" = 1'-0"

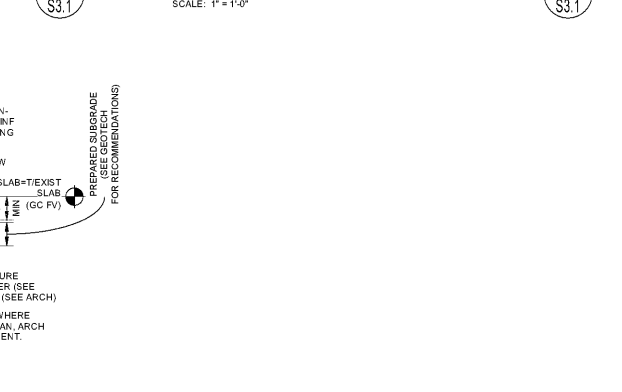
TYP DEAD END CONTROL JOINT REINF
SCALE: 1" = 1'-0"



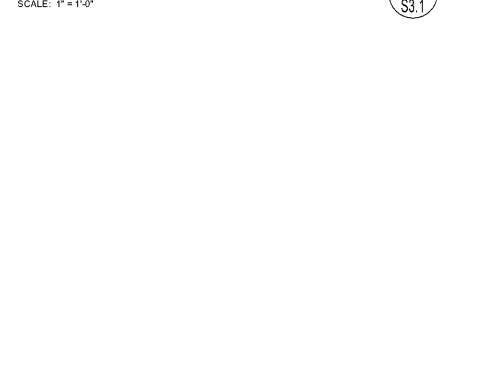
TYPICAL SLAB CORNER REINFORCING
SCALE: 1" = 1'-0"



TYPICAL ISOLATION JOINT
SCALE: 1" = 1'-0"



TYPICAL SLAB REPLACEMENT DETAIL
SCALE: 1" = 1'-0"

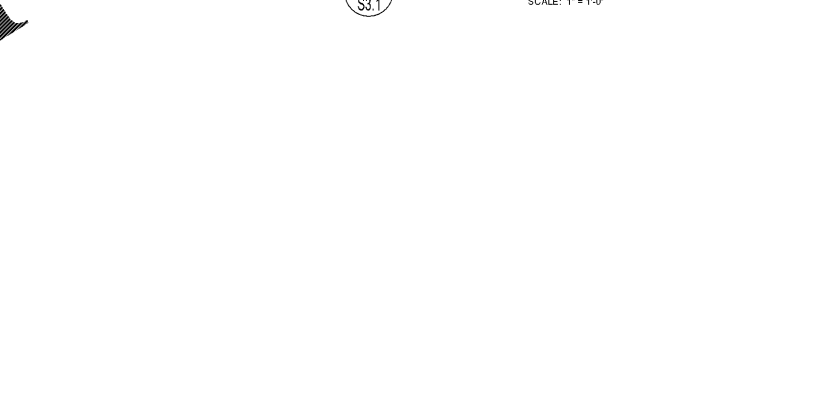


BASEPLATE & ANCHORAGE DETAILS
SCALE: 1" = 1'-0"



MINIMUM PLATE WASHER DIMENSIONS

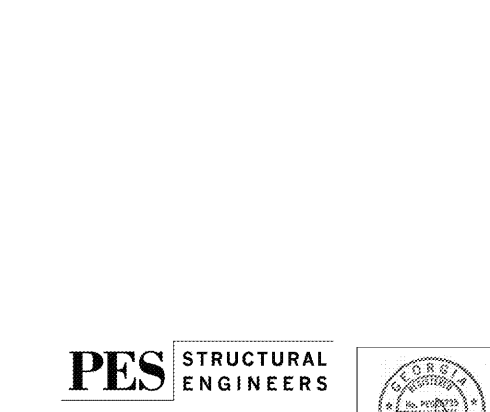
AR DIA	MIN WASHER DIMENSION	MIN WASHER THICKNESS
3/4"	2"	1/4"
7/8"	2 1/2"	5/16"
1"	3"	3/8"
1 1/4"	3"	3/8"
1 1/2"	3 1/2"	1/2"
1 3/4"	5"	5/8"
2"	5 1/2"	3/4"
2 1/2"	5 1/2"	7/8"



TYPICAL SLAB REPLACEMENT DETAIL
SCALE: 1" = 1'-0"



TYPICAL SLAB REPLACEMENT DETAIL
SCALE: 1" = 1'-0"



PES STRUCTURAL ENGINEERS
ADDRESS: 1852 Century Place, NE, Suite 201, Atlanta, Georgia 30345
PHONE: 770-451-5959 FAX: 770-451-2995 WEB: www.pesengineers.com
PES PROJECT NUMBER: 221066
PES GEORGIA COA NUMBER: PE000799
EXPIRATION DATE: 08/30/2022



S3.1

Order Plans

www.pdfline.com