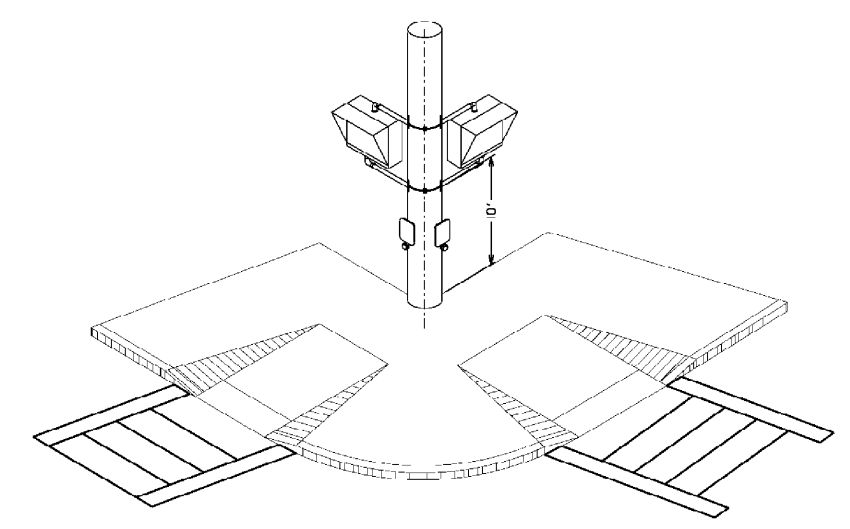
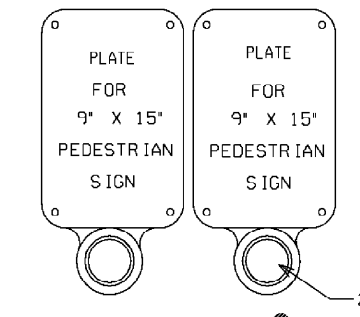


PEDESTRIAN PUSH BUTTON POST



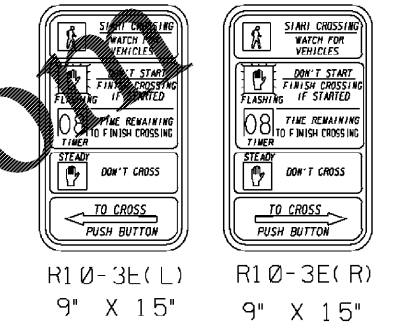
PEDESTRIAN SIGNAL HEAD ORIENTATION FOR SIDE OF POLE MOUNTING

INSTALL PEDESTRIAN SIGNAL HEADS SO THAT VEHICLES MAKING TURNS WILL NOT DAMAGE THE EQUIPMENT

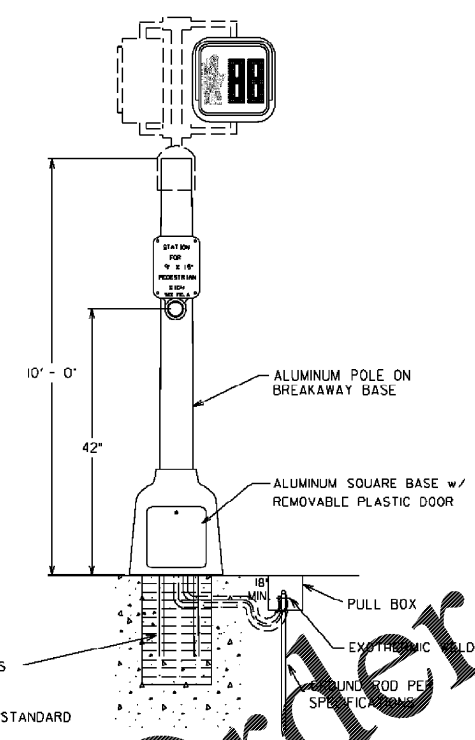


A "PUSH BUTTON STATION" IS THAT PIECE OF EQUIPMENT SIGN PLATE AND THE PUSH BUTTON

PEDESTRIAN PUSH BUTTON STATION

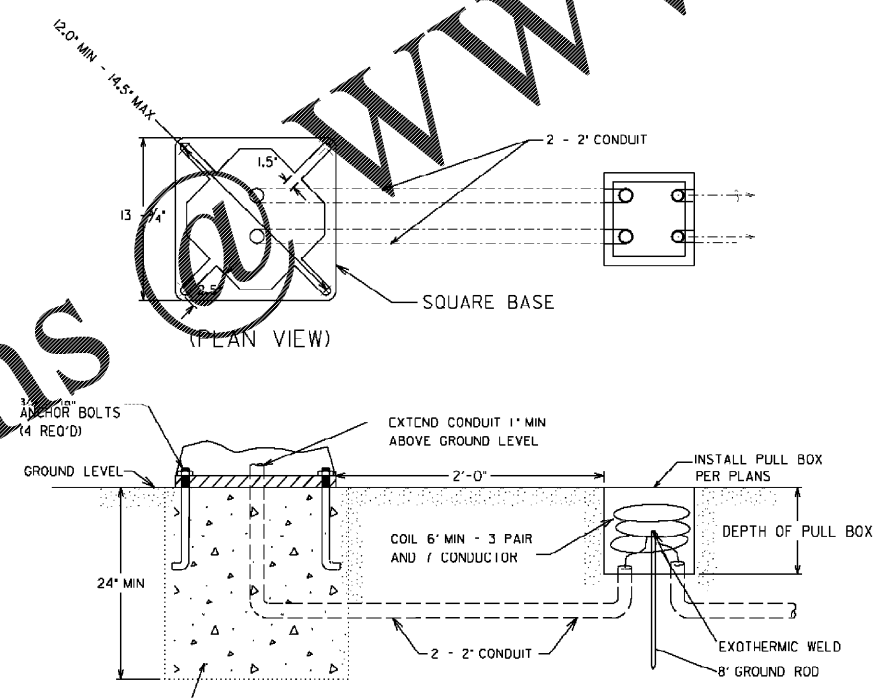


PEDESTRIAN SIGNS



DETAIL FOR PEDESTRIAN SIGNAL POLES

NOTE: DETAILS SHOWN IS FOR TOP POST MOUNTING ASSEMBLY ON 10 FEET PEDESTRIAN POLE. A CLAMSHELL MOUNTING ASSEMBLY (NOT SHOWN) MAY BE USED AS APPROVED BY THE DEPARTMENT. THE CLAMSHELL MOUNTING HARDWARE ASSEMBLY SHALL MEET THE SAME GOOT STANDARDS AS THE PEDESTRIAN SIGNAL HOUSING IN PAINT AND MATERIAL.

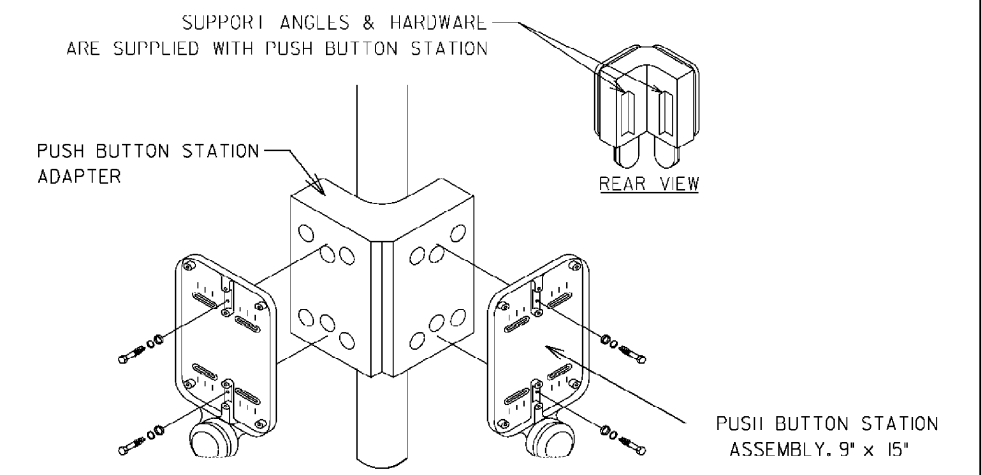


TYPICAL PEDESTRIAN POLE FOUNDATION

CLASS A CONCRETE PER SECTION 500 OF STANDARD SPECIFICATIONS

Guidelines For Usage On Metric Projects

When these details are incorporated into plans and or projects that are being prepared or constructed in metric units, exact or precise conversion to metric units is not required. The dimensions shown that are in feet and inches may be converted to corresponding metric units using the following "Rounded-Off" conversion factors: 1" = 25mm, 4" = 100mm, and 12" = 300mm. All measurement notes that refer to linear feet and square yards shall be interpreted to mean linear meters and square meters.



DOUBLE PUSH BUTTON STATION ADAPTER FOR 4" DIA. PEDESTRIAN POLE

DATE	DEPARTMENT OF TRANSPORTATION STATE OF GEORGIA
REVISION DESCRIPTION	TRAFFIC SIGNAL DETAIL PEDESTRIAN FACILITIES INSTALLATION DETAILS
REV. BY:	DETAIL NUMBER APRIL 2010 NOT TO SCALE REPORT ER-10RG TS-03A