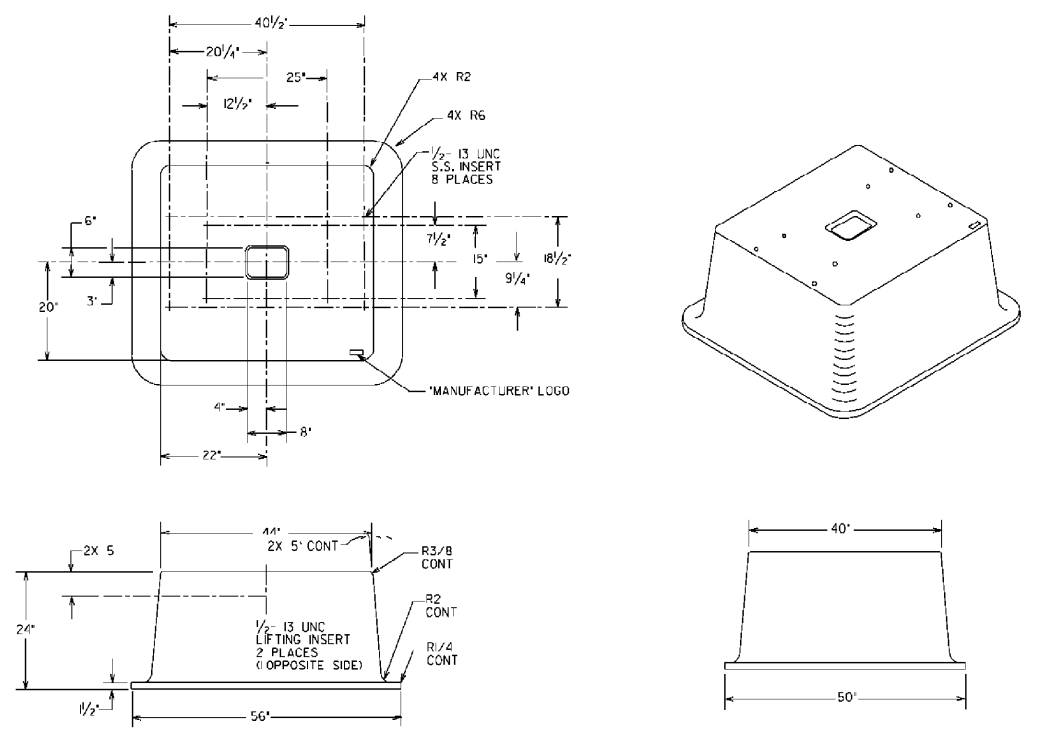
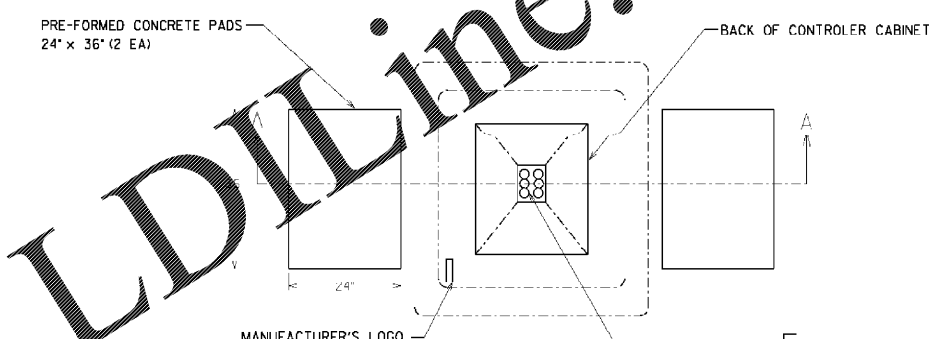
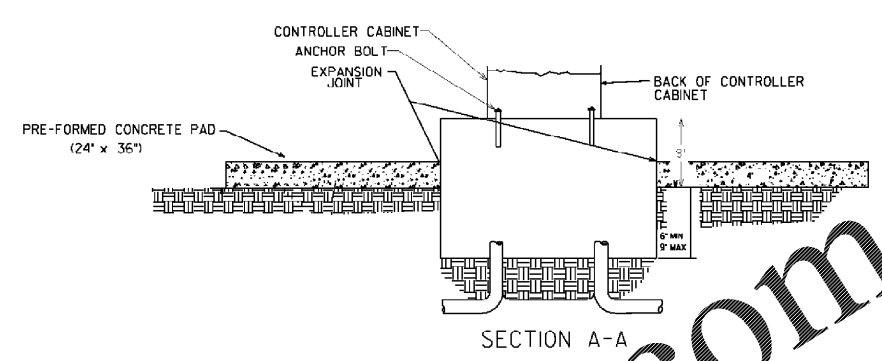


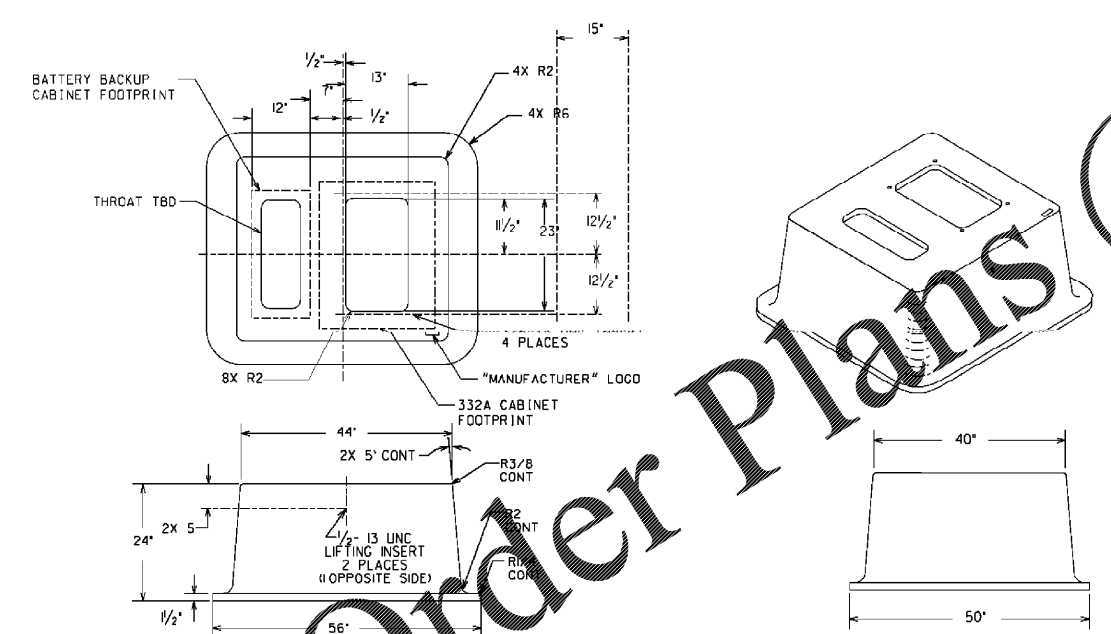
STATE	COUNTY	PROJECT NUMBER	SHEET NO.	TOTAL SHEETS
GA.				



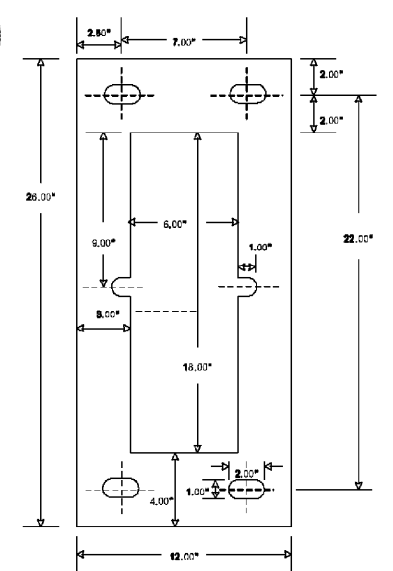
PREFABRICATED 332 CONTROLLER BASE



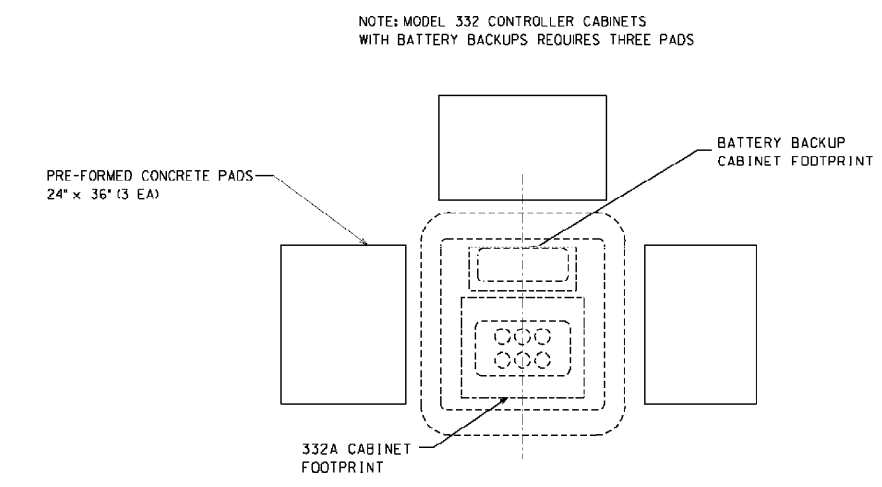
- 1\"/>
- 1\"/>
- 1\"/>
- 2\"/>
- 2\"/>
- 2\"/>



PREFABRICATED CONTROLLER BASE WITH BATTERY BACKUP BASE MOUNT EXTENSION



BATTERY BACKUP BASE MOUNT CABINET ANCHOR BOLT PATTERN



NOTE: MODEL 332 CONTROLLER CABINETS WITH BATTERY BACKUPS REQUIRES THREE PADS

Guidelines For Usage On Metric Projects

When these details are incorporated into plans and or projects that are being prepared or constructed in metric units, exact or precise conversion to metric units is not required. The dimensions shown that are in feet and inches may be converted to corresponding metric units using the following "Rounded-Off" conversion factors: 1" = 25mm, 4" = 100mm, and 12" or 1' = 300mm. All measurement notes that refer to linear feet and square yards shall be interpreted to mean linear meters and square meters.

DATE		DEPARTMENT OF TRANSPORTATION STATE OF GEORGIA	
REVISION DESCRIPTION		TRAFFIC SIGNAL DETAIL CABINET BASE DETAIL	
REV. BY:		APRIL 2010	DETAIL NUMBER TS-03
NOT TO SCALE - REPORT ERRORS			