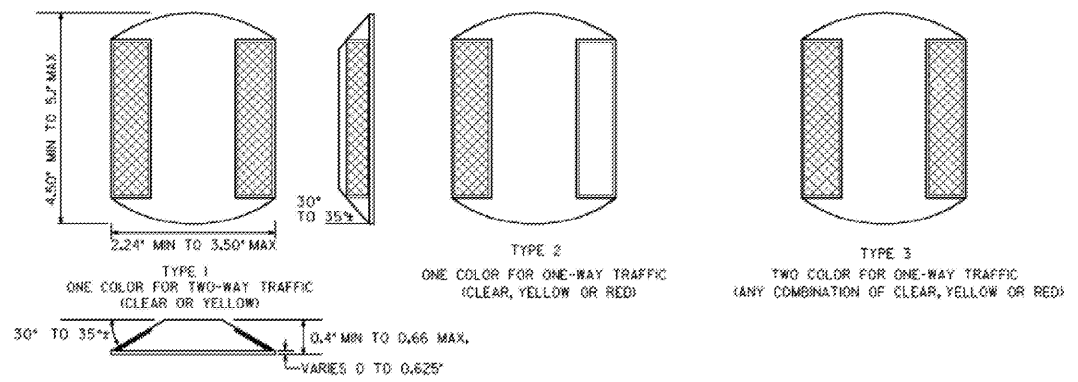
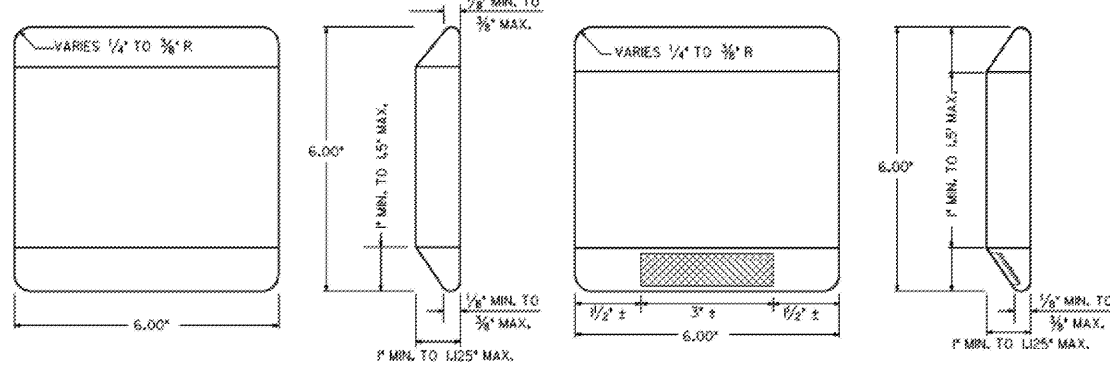
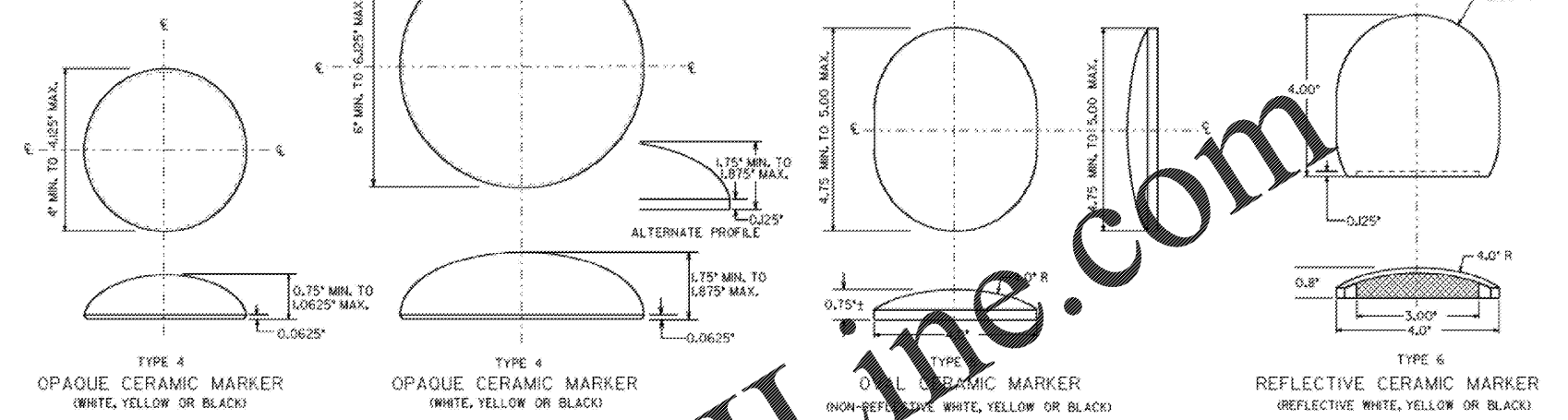


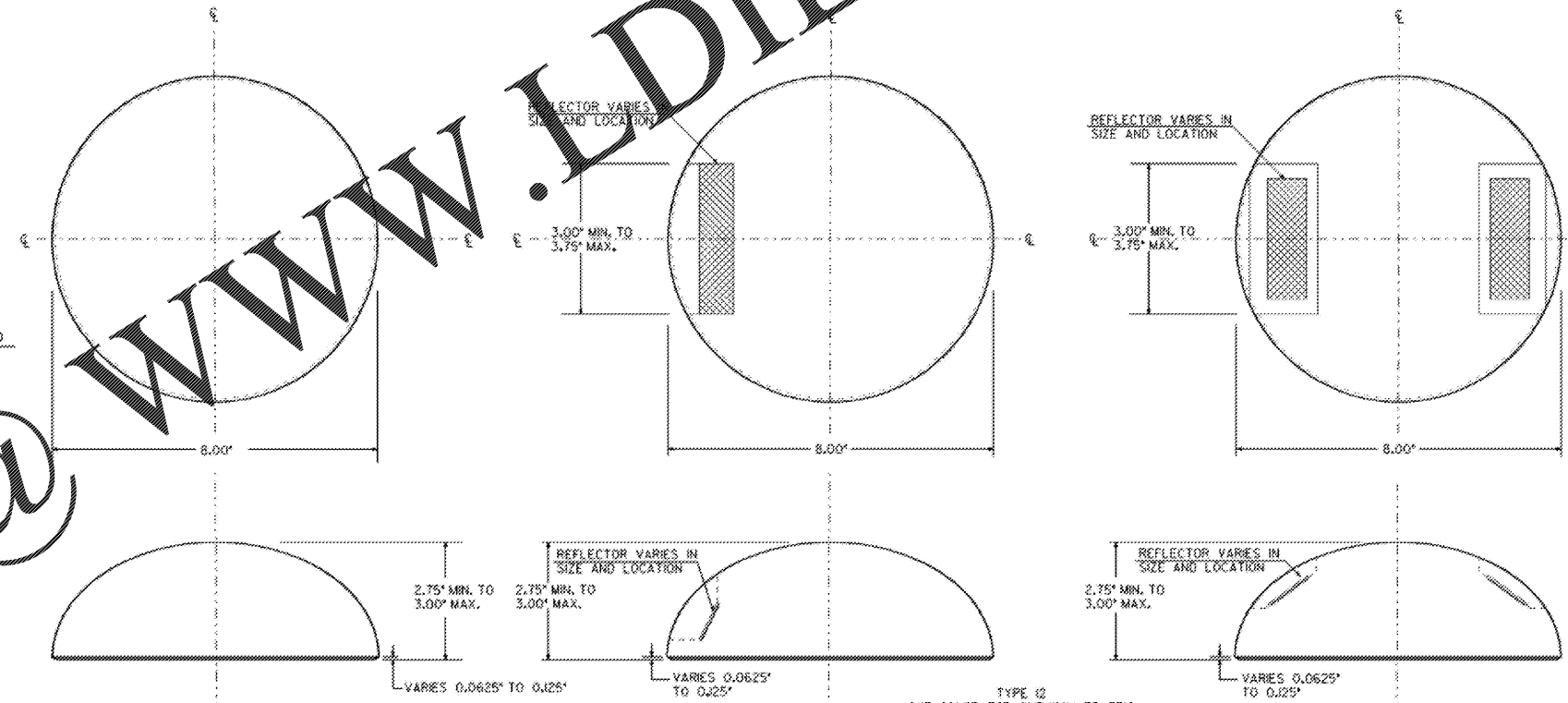
STATE	PROJECT NUMBER	SHEET NO.	TOTAL SHEETS
GA.			



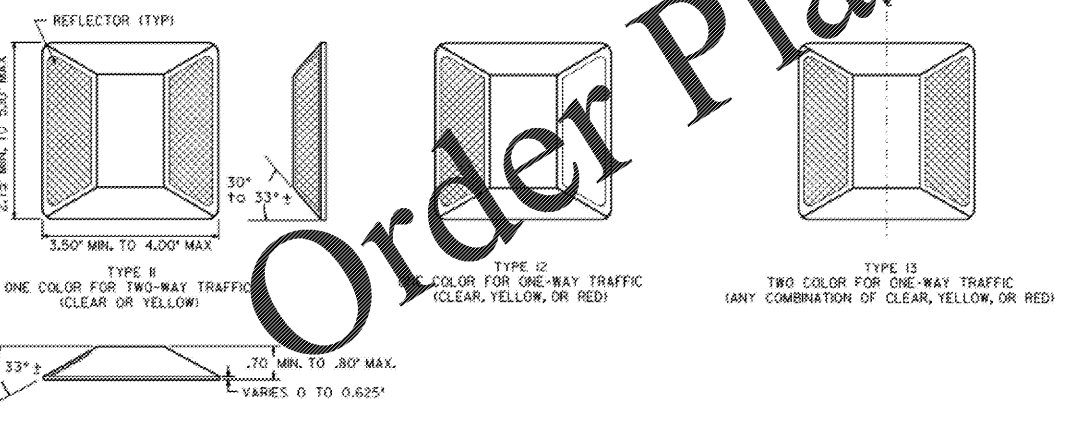
RAISED REFLECTIVE MARKERS



CERAMIC JIGGLE BAR MARKER



CERAMIC CHANNEL MARKER



ALTERNATE RAISED REFLECTIVE MARKERS

GENERAL NOTES:

- SPECIFICATIONS: GEORGIA STANDARD, CURRENT EDITION, AND SUPPLEMENTS THERE TO.
- THE CONTRACTOR SHALL USE RAISED PAVEMENT MAKER SOURCES AS LISTED IN OPL 76.
- COLORS FOR REFLECTIVE ELEMENTS SHALL BE EITHER CLEAR, YELLOW, OR RED AS SPECIFIED.
- THE SHELL OF THE REFLECTIVE MARKERS SHALL BE OF ONE COLOR OR OF A COMBINATION OF TWO COLORS, WHICH SHALL BE THE SAME AS THE REFLECTIVE ELEMENT.
- THE SURFACE OF OPAQUE CERAMIC MARKERS SHALL BE GLAZED AND OF THE COLOR SPECIFIED IN THE PLANS WITH A WHITE, VITREOUS, CERAMIC BASE.
- COLORS FOR ALL RAISED PAVEMENT MARKERS SHALL BE AS SPECIFIED IN THE PLANS.

DATE	REVISIONS	GEORGIA DEPARTMENT OF TRANSPORTATION OFFICE OF TRAFFIC SAFETY & DESIGN
9-22-11	REV. DIMENSIONS, ADDED NOTES TO MARKERS AND REV. GEN. NOTES.	
		DETAILS OF RAISED PAVEMENT MARKERS
		NO SCALE
		JANUARY 2000