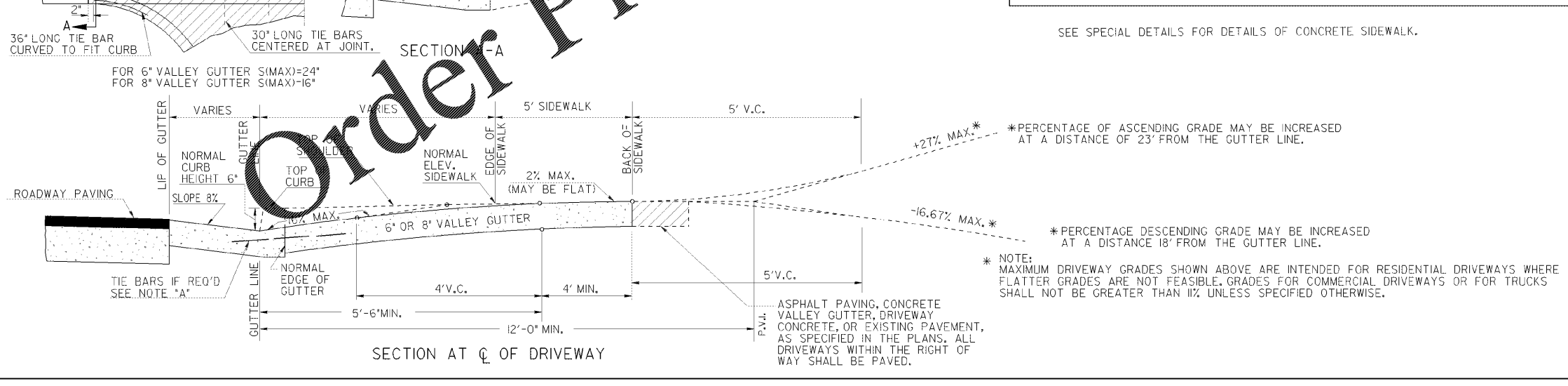
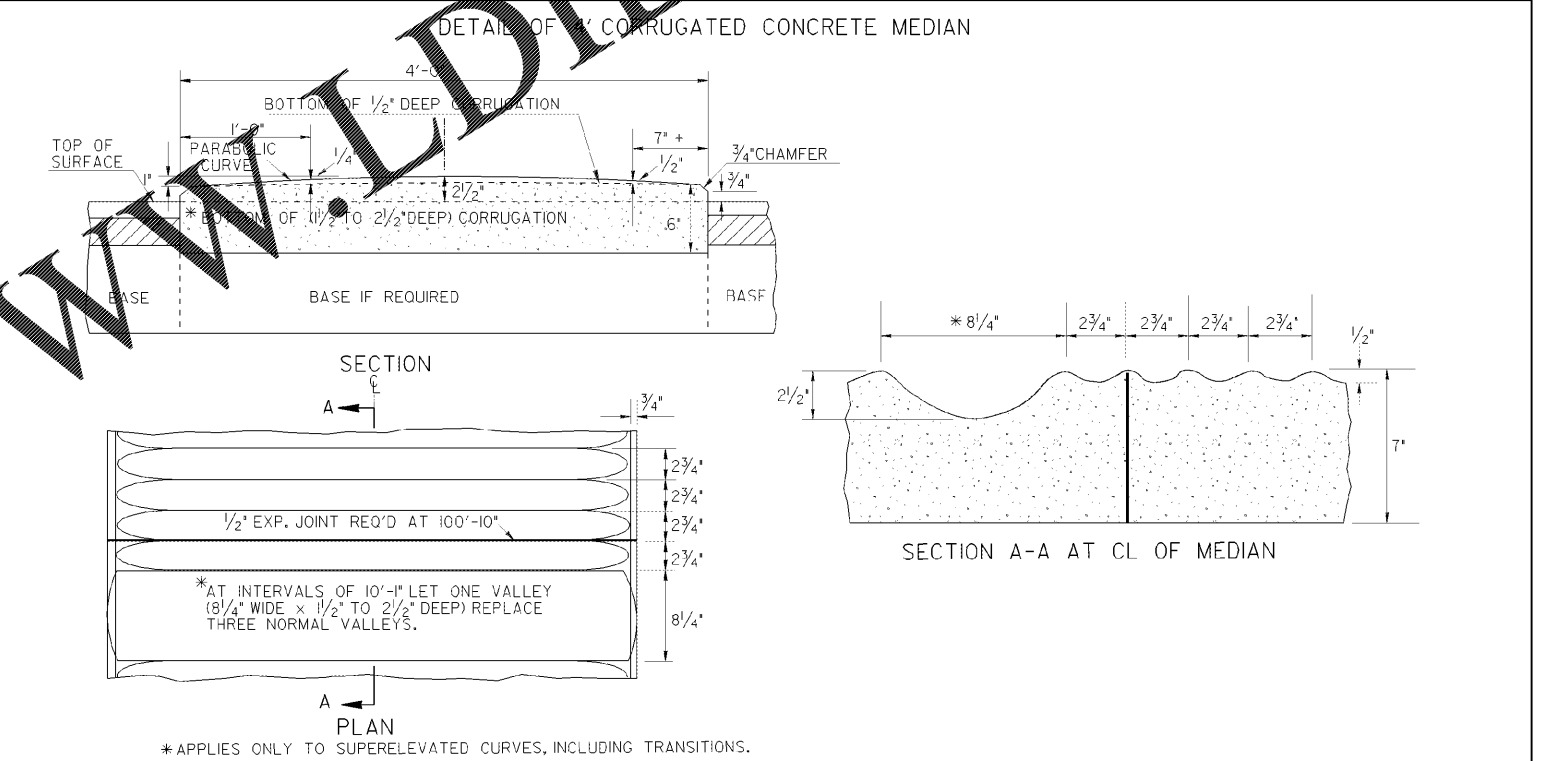
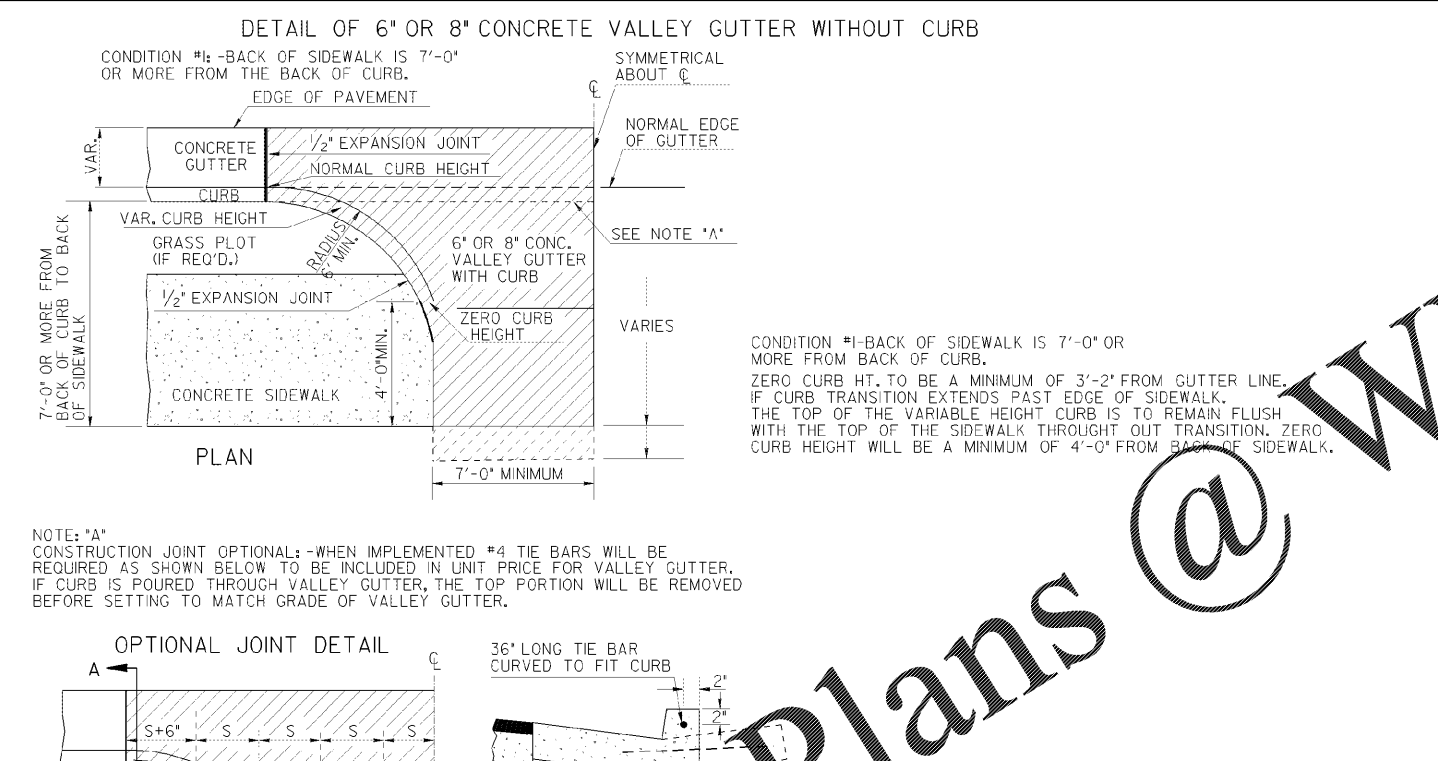
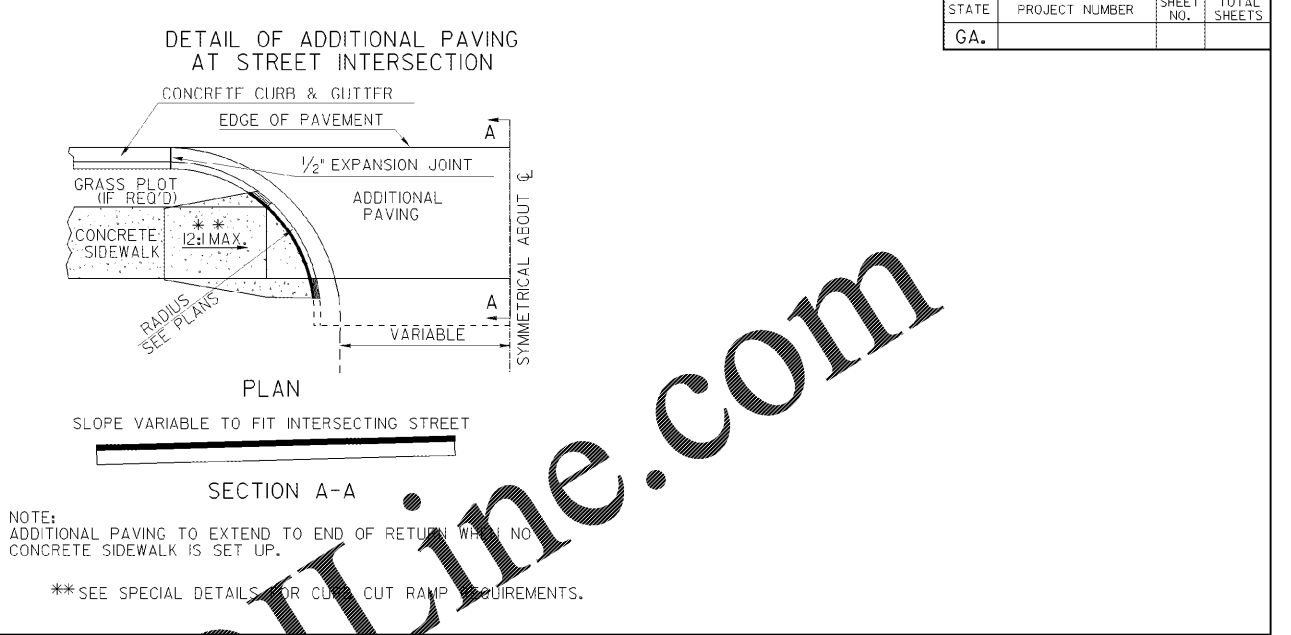
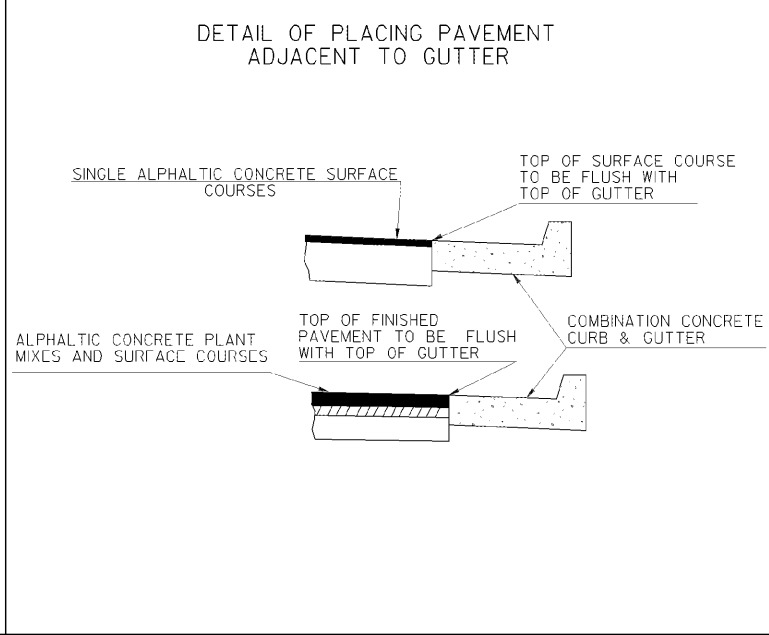
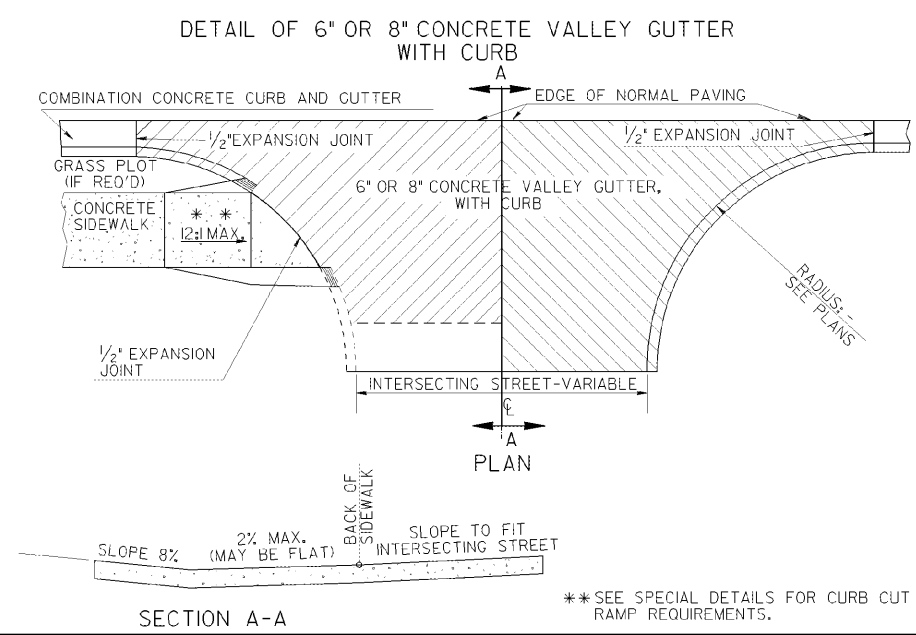


STATE	PROJECT NUMBER	SHEET NO.	TOTAL SHEETS
GA.			



This Detail Replaces Ga Standard 9031J
 Guidelines For Usage On Metric Projects

When these details are incorporated into plans and or projects that are being prepared or constructed in metric units, exact or precise conversion to metric units is not required. The dimensions shown that are in feet and inches may be converted to corresponding metric units using the following "Rounded-Off" conversion factors: 1" = 25mm, 4" = 100mm, and 12" or 1' = 300mm. All measurement notes that refer to linear feet and square yards shall be interpreted to mean linear meters and square meters.

DEPARTMENT OF TRANSPORTATION		STATE OF GEORGIA	
CONSTRUCTION DETAIL			
CONCRETE VALLEY GUTTER AT STREET INTERSECTION			
6" OR 8" CONCRETE VALLEY GUTTER AT DRIVE			
PLACING PAVEMENT ADJACENT TO GUTTER			
ADDITIONAL PAVING AT STREET INTERSECTION			
4" CORRUGATED CONCRETE MEDIAN			
NO SCALE		MARCH 12, 2002	
NUMBER		A2	