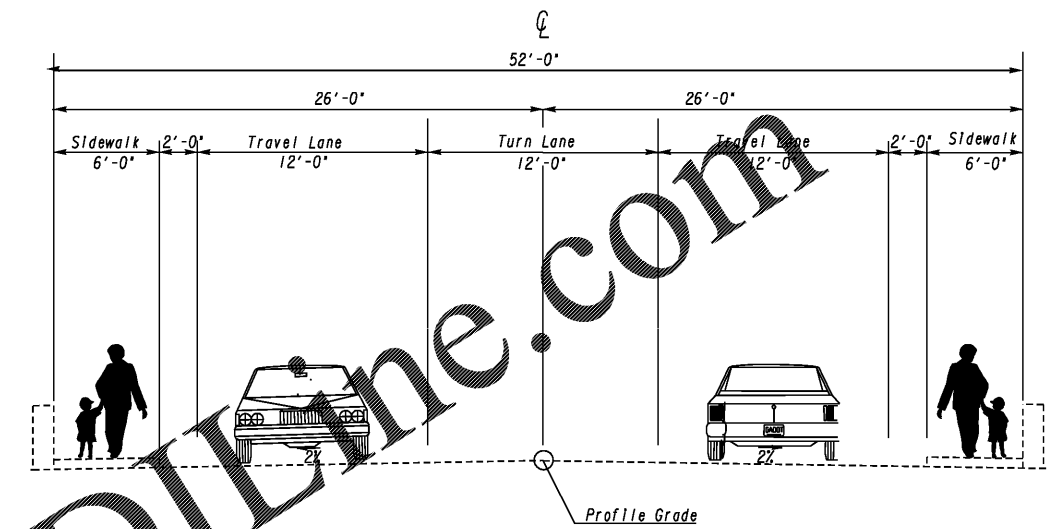
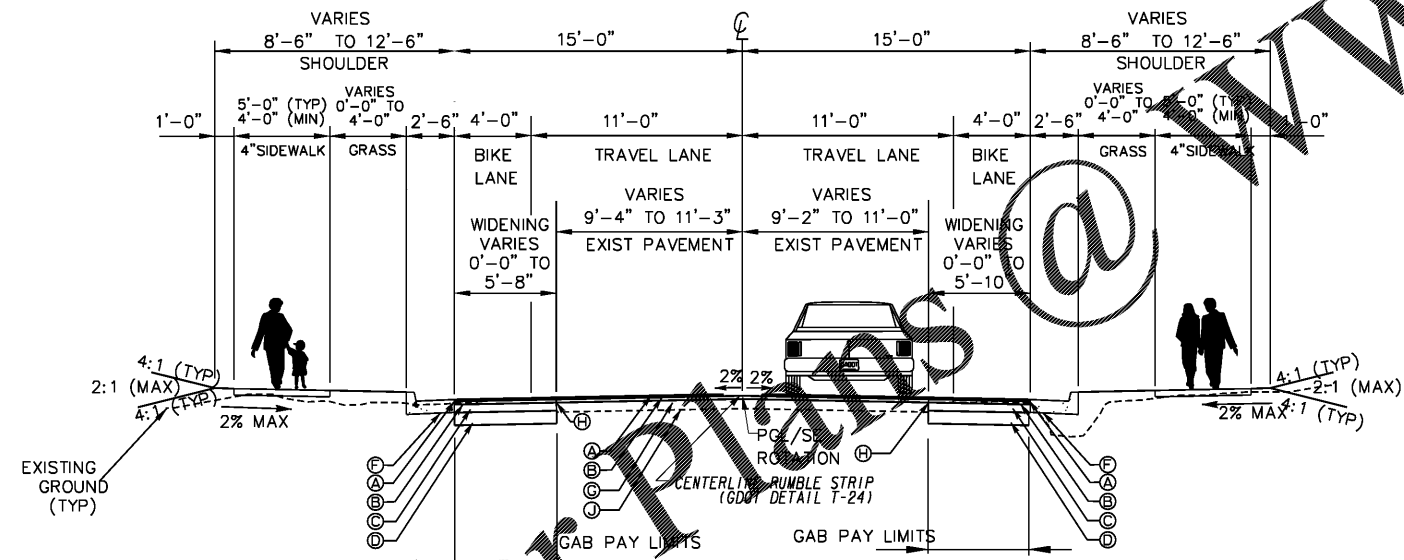


**TYPICAL SECTION 3**  
**DELESSEPS AVENUE-TANGENT SECTION**  
**URBAN MILL/INLAY**  
 STA 115+00.00 TO STA 117+78.18 (BEG BRIDGE 051-0161-01/ APPROACH SLAB)  
 (END BRIDGE #051-0161-01/ APPROACH SLAB) STA 122+90.90 TO STA 130+94.18  
 NOTE: NEW 2'-6" CURB AND GUTTER STARTS ON LEFT AT STA 129+45.63  
 SEE PLANS FOR GUARDRAIL LOCATION. REFER TO 4000 SERIES GUARDRAIL STANDARDS AND S-4 DETAILS



**TYPICAL SECTION 3A**  
**DELESSEPS AVENUE- EXISTING BRIDGE & BRIDGE APPROACH**  
 STA 117+78.18 (BEGIN BRIDGE #051-0161-01) TO STA 122+90.90 (END BRIDGE#051-0161-01)



**TYPICAL SECTION 4**  
**DELESSEPS AVENUE-TANGENT SECTION**  
**URBAN OVERLAY & FULL DEPTH WIDENING WITH BIKE LANES**  
 STA 130+94.18 TO STA 153+18.08

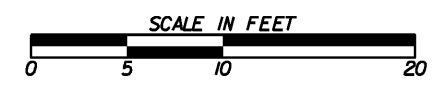
NOTE: STA. 130+94.18 TO STA. 132+00.00 1 1/2" MILL & 165 LB/SY INLAY  
 STA. 132+00.00 TO STA. 132+50.00 165 LB/SY OVERLAY W/ VARIABLE MILLING, LEVELING AS NEEDED  
 STA. 132+50.00 TO STA. 153+18.08 165 LB/SY SURFACE & 220 LB/SY BINDER OVERLAY  
 FOR WIDENING 5' OR LESS, CLASS B WIDENING SHALL BE USED AS PER DETAIL ON DRAWING 05-0005.

- Ⓐ RECYCLED ASPH CONC 12.5 mm SUPERPAVE GP2 ONLY, INCL. BITUM H LIME - 165LB/SY
- Ⓑ RECYCLED ASPH CONC 19 mm SUPERPAVE GP1 OR GP2, INCL BITUM H LIME - 220LB/SY
- Ⓒ RECYCLED ASPH CONC 25 mm SUPERPAVE GP1 OR GP2, INCL BITUM H LIME - 330LB/SY
- Ⓓ GRADED AGGREGATE BASE COURSE - 8"
- Ⓔ CONC CURB AND GUTTER 8"x18", TP2
- Ⓕ CONC CURB AND GUTTER 8"x30", TP2
- Ⓖ RECYCLED ASPH CONC LEVELING, INCL BITUM H LIME
- Ⓗ PAVE REINFORCEMENT FABRIC STRIPS, TP2, 18"
- Ⓚ VARIABLE MILLING

\* SEE CONSTRUCTION PLANS FOR SIDEWALK LOCATION

Order Plans

**THOMAS & HUTTON**  
 Engineering | Surveying | Planning | GIS | Consulting  
 50 Park of Commerce Way • PO Box 2727  
 Savannah, GA 31402-2727 • 912.234.5300  
 www.thomasandhutton.com  
 Charleston, SC | Columbia, SC | Myrtle Beach, SC  
 Savannah, GA | Wilmington, NC



| REVISION DATES |       | TYPICAL SECTIONS                                       |  |
|----------------|-------|--|--|
|                |       | DELESSEPS/LA ROCHE AVE FM<br>WATERS AVE TO SKIDAWAY RD |  |
|                |       |  |  |
| CHECKED:       | DATE: | DRAWING No.<br><b>05-0002</b>                          |  |
| BACKCHECKED:   | DATE: |  |  |
| CORRECTED:     | DATE: |  |  |
| VERIFIED:      | DATE: |  |  |