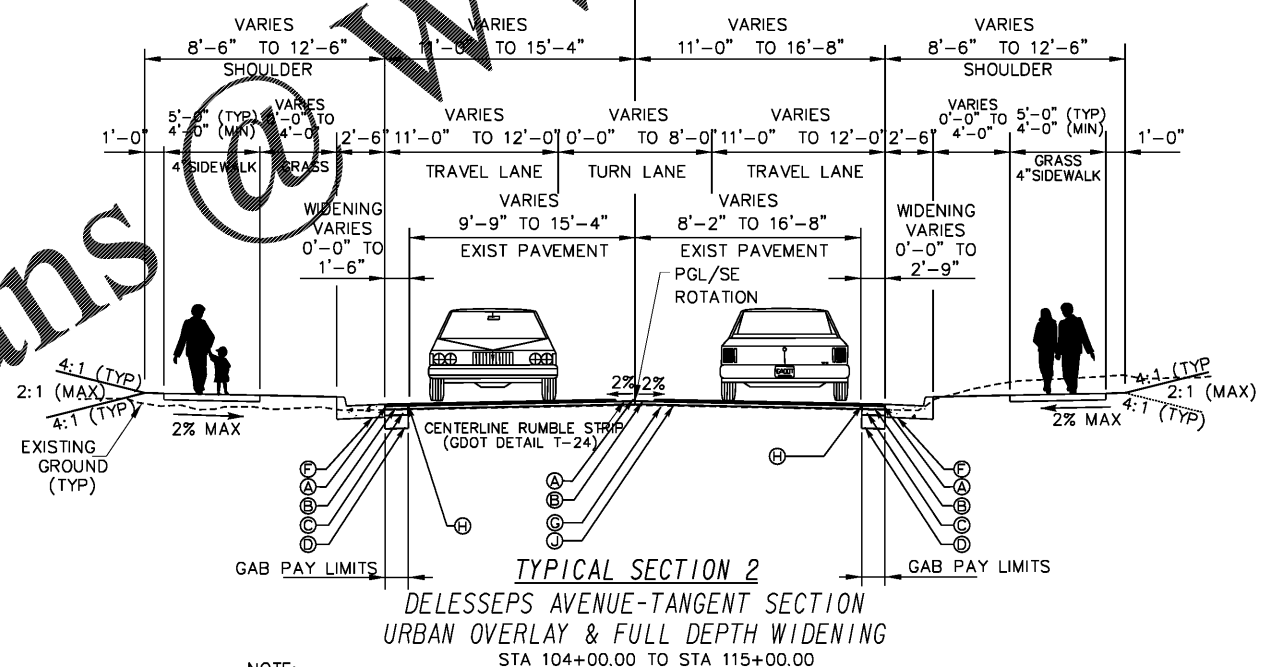


NOTE:
STA. 100+12.11 TO STA. 103+00.00 1 1/2" MIN. 165 LB/SY INLAY, MATCH EXISTING GRADES-CROSS SLOPE
STA. 103+00.00 TO STA. 104+00.00 165 LB/SY OVERLAY W/ VARIABLE MILLING, LEVELING AS NEEDED.
FOR WIDENING 5' OR LESS, CLASS B WIDENING SHALL BE USED AS PER DETAIL ON DRAWING 05-0005.

- Ⓐ RECYCLED ASPH CONC 12.5 mm SUPERPAVE GP2 ONLY, INCL. BITUM H LIME - 165LB/SY
- Ⓑ RECYCLED ASPH CONC 19 mm SUPERPAVE GP1 OR GP2, INCL BITUM H LIME - 220LB/SY
- Ⓒ RECYCLED ASPH CONC 25 mm SUPERPAVE GP1 OR GP2, INCL BITUM H LIME - 330LB/SY
- Ⓓ GRADED AGGREGATE BASE COURSE - 8"
- Ⓔ CONC CURB AND GUTTER 8"x18", TP2
- Ⓕ CONC CURB AND GUTTER 8"x30", TP2
- Ⓖ RECYCLED ASPH CONC LEVELING, INCL BITUM H LIME
- Ⓗ PAVE REINFORCEMENT FABRIC STRIPS, TP2, 18"
- Ⓘ VARIABLE MILLING

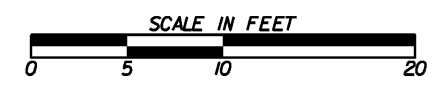
Order Plans



NOTE:
STA. 104+00.00 TO STA. 111+50.00 165LB/SY SURFACE, 220 LB/SY BINDER OVERLAY
STA. 111+50.00 TO STA. 115+00.00 165 LB/SY SURFACE, VARIABLE MILLING, LEVELING AS NEEDED
FOR WIDENING 5' OR LESS, CLASS B WIDENING SHALL BE USED AS PER DETAIL ON DRAWING 05-0005.

* SEE CONSTRUCTION PLANS FOR SIDEWALK LOCATION

THOMAS & HUTTON
Engineering | Surveying | Planning | GIS | Consulting
50 Park of Commerce Way • PO Box 2727
Savannah, GA 31402-2727 • 912.234.5300
www.thomasandhutton.com
Charleston, SC | Columbia, SC | Myrtle Beach, SC
Savannah, GA | Wilmington, NC



REVISION DATES		TYPICAL SECTIONS	
		DELESSEPS/LA ROCHE AVE FM WATERS AVE TO SKIDAWAY RD	
CHECKED:	DATE:	DRAWING No.	
BACKCHECKED:	DATE:	05-0001	
CORRECTED:	DATE:		
VERIFIED:	DATE:		