

PLUMBING FIXTURE SCHEDULE										
MARK	FIXTURE	WATER				WASTE		VENT	DESCRIPTION	NOTES
		COLD RUNOUT	COLD CONN.	HOT RUNOUT	HOT CONN.	RUNOUT	CONN.			
L-1	LAVATORY	1/2"	3/8"	1/2"	3/8"	2"	1 1/4"	1 1/2"	ELKAY ELU1511, 18 GAUGE 17" X 13" OVAL UNDER-MOUNT STAINLESS STEEL LAVATORY, FAUCET - ZURN Z7440-XL-FC, AERATOR - 0.5 GPM VANDAL RESISTANT MIXING VALVE - ZURN ZW3870XLT (ASSE 1070), SUPPLY - MCGUIRE #H165LKN3, DRAIN - ZURN Z8743NOF-PC, P-TRAP - MCGUIRE #8872C, COVERING - MCGUIRE #PW2000WC. UNIT SHALL BE ADA COMPLIANT.	1. ADA ACCESSIBLE
L-2	LAVATORY	1/2"	3/8"	1/2"	3/8"	2"	1 1/4"	1 1/2"	ELKAY ELU1511, 18 GAUGE 17" X 13" OVAL UNDER-MOUNT STAINLESS STEEL LAVATORY, FAUCET - TOTO TET105-D1E8CP, AERATOR - 0.09 GPC VANDAL RESISTANT MIXING VALVE - ZURN ZW3870XLT (ASSE 1070), SUPPLY - MCGUIRE #H165LKN3, DRAIN - MCGUIRE #15WC-LO, P-TRAP - MCGUIRE #8872C, COVERING - MCGUIRE #PW2000WC.	1. ADA ACCESSIBLE
L-3	LAVATORY	1/2"	3/8"	1/2"	3/8"	2"	1 1/4"	1 1/2"	ELKAY ELU1511, 18 GAUGE 17" X 13" OVAL UNDER-MOUNT STAINLESS STEEL LAVATORY, FAUCET - AMERICAN STANDARD SEVA 1480.150.002, AERATOR - 0.5 GPM VANDAL RESISTANT MIXING VALVE - ZURN ZW3870XLT (ASSE 1070), SUPPLY - MCGUIRE #H165LKN3, DRAIN - MCGUIRE #15WC-LO, P-TRAP - MCGUIRE #8872C, COVERING - MCGUIRE #PW2000WC.	1. ADA ACCESSIBLE
SH-1	SHOWER	1/2"	3/8"	1/2"	3/8"	2"	2"	1 1/2"	BRADLEY HN250-T24-HD-SB-CMS SURFACE MOUNTED ADA COMPLIANT WALL SHOWER, SHOWER HEAD - 269-919, TEMPERING VALVE - ASSE 1016, MOUNT HEAD AT 6'-0" AFF, CENTER HEAD IN ACCORDANCE WITH ARCHITECTURAL DETAIL A13K.	1. ADA ACCESSIBLE
UR-1	URINAL	1"	3/4"	---	---	3"	2"	1 1/2"	KOHLER K-5016-ET "DEXTER" WALL HUNG VITREOUS CHINA SIPHON JET ACTION URINAL WITH 3/4" TOP SPUD, 2" OUTLET AND WALL BOLTS - TOTO TEU1GNC-12 SENSOR OPERATED FLUSH VALVE WITH VACUUM BREAKER - 0.5 GALLON FLUSH - WADE W-400 CARRIER.	1. ADA ACCESSIBLE
UR-2	URINAL	1"	3/4"	---	---	3"	2"	1 1/2"	KOHLER K-5016-ET "DEXTER" WALL HUNG VITREOUS CHINA SIPHON JET ACTION URINAL WITH 3/4" TOP SPUD, 2" OUTLET AND WALL BOLTS - TOTO TEU1GNC-12 SENSOR OPERATED FLUSH VALVE WITH VACUUM BREAKER - 0.5 GALLON FLUSH - WADE W-400 CARRIER. MOUNT RIM AT 16" A.F.F. (17" IS MAX ALLOWABLE PER ADA). TO RIM, 14" MIN. WALL TO RIM.	1. ADA ACCESSIBLE
UT-1	WASHER BOX	3/4"	3/4"	3/4"	3/4"	---	2"	---	OATEY 38476 WASHER UTILITY BOX WITH 1/4 TURN BALL VALVES WITH WATER HAMMER ARRESTOR COPPER SWEAT, 2 HOUR FIRE RATING.	
WC-1	WATER CLOSET	1 1/4"	1"	---	---	4"	3"	2"	TOTO CT705ELNG 17-1/2" FLOOR MOUNTED ELONGATED SIPHON JET, VITREOUS CHINA TOILET WITH 1 1/2" TOP SPUD - TOTO TMT1NNC-32 MANUAL FLUSH VALVE WITH VACUUM BREAKER - 1.26 GALLON FLUSH - BEMIS 1955-CT WHITE SOLID PLASTIC ELONGATED OPEN FRONT SEAT LESS COVER AND STAINLESS STEEL HINGES. CENTERLINE OF BOWL SHALL BE 18" FROM NEAREST FINISHED WALL. UNIT SHALL BE ADA COMPLIANT.	1. ADA ACCESSIBLE
WC-2	WATER CLOSET	1 1/4"	1"	---	---	3"	3"	2"	TOTO CT705ENG 17-1/2" FLOOR MOUNTED ELONGATED SIPHON JET, VITREOUS CHINA TOILET WITH 1 1/2" TOP SPUD - TOTO TET1N32-CP-W SENSOR OPERATED FLUSH VALVE WITH VACUUM BREAKER - 1.26 GALLON FLUSH - BEMIS 1955-CT WHITE SOLID PLASTIC ELONGATED OPEN FRONT SEAT LESS COVER AND STAINLESS STEEL HINGES.	1. ADA ACCESSIBLE
WC-3	WATER CLOSET	1 1/4"	1"	---	---	4"	3"	2"	TOTO CT705ELNG 17-1/2" FLOOR MOUNTED ELONGATED SIPHON JET, VITREOUS CHINA TOILET WITH 1 1/2" TOP SPUD - TOTO TET1N32-CP-W SENSOR OPERATED FLUSH VALVE WITH VACUUM BREAKER - 1.26 GALLON FLUSH - BEMIS 1955-CT WHITE SOLID PLASTIC ELONGATED OPEN FRONT SEAT LESS COVER AND STAINLESS STEEL HINGES. CENTERLINE OF BOWL SHALL BE 18" FROM NEAREST FINISHED WALL. UNIT SHALL BE ADA COMPLIANT.	1. ADA ACCESSIBLE
SK-1	HAND SINK	1/2"	1/2"	1/2"	1/2"	2"	2"	2"	HAND SINK BY OWNER, PLUMBING CONTRACTOR TO PROVIDE ASSE 1070 MIXING VALVE.	1. ADA ACCESSIBLE
SK-2	SINK BY OWNER	1/2"	1/2"	1/2"	1/2"	(IND)	---	---	SINK AND FAUCET BY OWNER FOR INSTALLATION BY PLUMBING CONTRACTOR.	1
SK-3	SINK BY OWNER	1/2"	1/2"	1/2"	1/2"	(IND)	---	---	SINK AND FAUCET BY OWNER FOR INSTALLATION BY PLUMBING CONTRACTOR.	1

- NOTES:
- FIXTURE SHALL BE PROVIDED BY LOVES, CONTRACTOR INSTALLED. CONTRACTOR TO PROVIDE ALL ACCESSORIES THAT ARE REQUIRED FOR FULL INSTALLATION OF THESE PLUMBING FIXTURES (SUCH AS: INSULATION, ANGLE VALVES, P-TRAPS, ETC.)
 - CONTRACTOR SHALL PAINT THE HEAD AND NOZZLE ASSEMBLY YELLOW AND LABEL THE HYDRANT WITH A 12" YELLOW FIELD & 1-1/4" BLACK LETTERS WITH THE FOLLOWING PHRASE: "CAUTION: NONPOTABLE WATER, DO NOT DRINK"

PLUMBING LEGEND	
LINETYPE/SYMBOL	DESCRIPTION
---	VENT LINE
---	SANITARY SEWER
---	DOMESTIC COLD WATER
---	DOMESTIC HOT WATER
---	DOMESTIC HOT WATER RETURN
---	WALL CLEAN OUT
---	CONNECT TO EXISTING
ETR	EXISTING TO REMAIN

HFA
HARRISON FRENCH & ASSOCIATES, LTD.
1705 S. Walton Blvd., Suite 3
Bentonville, Arkansas 72712
t 479.273.7780
f 888.520.9685
www.hfa-ae.com

STIPULATION FOR REUSE
THIS DRAWING AND SCHEDULES ARE THE PROPERTY OF HARRISON FRENCH & ASSOCIATES, LTD. AND ARE TO BE USED ONLY FOR THE PROJECT AND SITE SPECIFICALLY IDENTIFIED HEREON. ANY REUSE OF THIS DRAWING OR SCHEDULES FOR ANY OTHER PROJECT WITHOUT THE WRITTEN PERMISSION OF HARRISON FRENCH & ASSOCIATES, LTD. IS STRICTLY PROHIBITED. THE USER OF THIS DRAWING OR SCHEDULES SHALL BE RESPONSIBLE FOR OBTAINING ALL NECESSARY PERMITS AND APPROVALS FROM THE APPROPRIATE AGENCIES. HARRISON FRENCH & ASSOCIATES, LTD. SHALL NOT BE RESPONSIBLE FOR ANY ERRORS OR OMISSIONS IN THIS DRAWING OR SCHEDULES.

REMODEL
STORE NUMBER: 417
1505 CHINA ST.
CLAYTON, TN 37040
JOB NUMBER: 03-18-10417

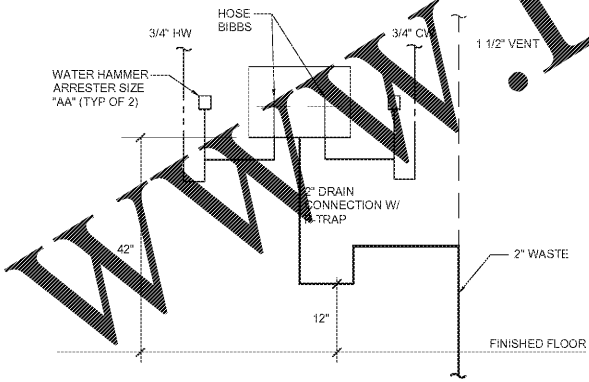
ISSUE BLOCK	

CHECKED BY: JKR
DRAWN BY: DNM
DOCUMENT DATE: 02/05/21

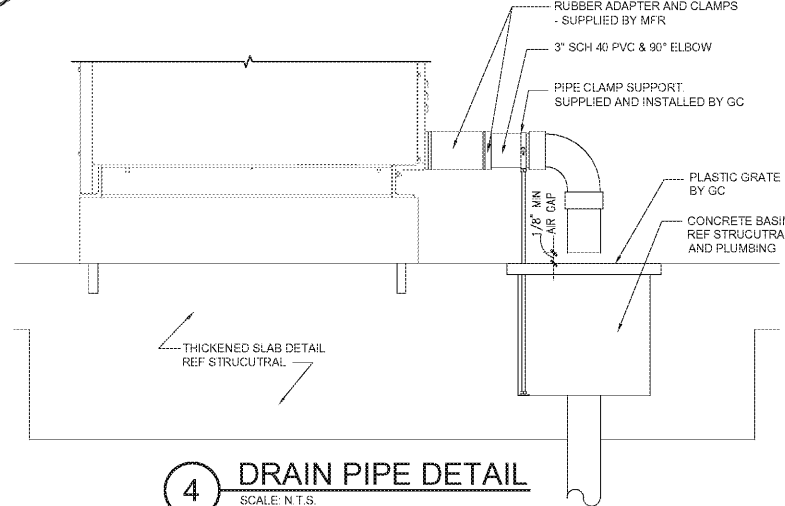


SPECIALTY PLUMBING FIXTURE SCHEDULE				
MARK	FIXTURE	MANUFACTURER	MODEL	DESCRIPTION
CO-1	EXTERIOR CLEANOUT	JAY R. SMITH	4250	HEAVY DUTY DURACOAT CAST IRON BODY WITH DOUBLE FLANGE HOUSING AND SCORATED CAST IRON COVER WITH LIFTING DEVICE SECURED WITH COUNTERSUNK SCREWS.
CO-2	INTERIOR CLEANOUT	JAY R. SMITH	4422	LINE TYPE WITH LACQUERED CAST IRON BODY AND ROUND EPOXY COATED GASKETED COVER, AND ROUND STAINLESS STEEL ACCESS COVER SECURED WITH MACHINE SCREW.
CO-3	INTERIOR CLEANOUT	JAY R. SMITH	4141	LACQUERED CAST IRON BODY WITH ANCHOR FLANGE, REVERSIBLE CLAMPING COLLAR, THREADED TOP ASSEMBLY AND ROUND GASKETED SCORED COVER IN SERVICE AREAS AND ROUND GASKETED DEPRESSED COVER TO ACCEPT FLOOR FINISH IN FINISHED FLOOR AREA.
FD-1	FLOOR DRAIN	WATTS	FD12-R-6R	ASME A112.21.1M, ON GRADE PVC TWO PIECE BODY WITH ADJUSTABLE 6" DIAMETER SATIN NICKEL BRONZE STRAINER, AND 2" OUTLET SIZE.
FD-2	FLOOR DRAIN	WATTS	FD12-R-6R-GNB	ASME A112.21.1M, ON GRADE PVC TWO PIECE BODY WEEP HOLES, AND ROUND, ADJUSTABLE NICKEL-BRONZE STRAINER WITH ROUND FUNNEL, 3" OUTLET SIZE.
FD-3	FLOOR DRAIN	WATTS	FD12-R-6R-HNB	ASME A112.21.1M, ON GRADE PVC TWO PIECE BODY WEEP HOLES, ADJUSTABLE 6" DIAMETER SATIN NICKEL BRONZE STRAINER WITH OVAL FUNNEL AND 4" OUTLET SIZE.
FS-1	FLOOR SINK	WATTS	FS-740-1-150-FC	12"X12" SQUARE LACQUERED CAST IRON BODY WITH INTEGRAL SEEPAGE PAN, EPOXY COATED INTERIOR, 8" DEEP SUMP, ALUMINUM DOME STRAINER, CLAMP COLLAR, AND SATIN NICKEL-BRONZE STRAINER W / 4" OUTLET.
FS-2	FLOOR SINK	WATTS	FS-730-1-150-FC	12"X12" SQUARE LACQUERED CAST IRON BODY WITH INTEGRAL SEEPAGE PAN, EPOXY COATED INTERIOR, 8" DEEP SUMP, ALUMINUM DOME STRAINER, CLAMP COLLAR, HALF GRATE, AND SATIN NICKEL-BRONZE STRAINER W / 3" OUTLET.
RD-1	ROOF DRAIN	WATTS	RD-300	COATED CAST IRON BODY, BOTTOM OUTLET, NO-HUB ROOF DRAIN WITH CAST OR DUCTILE IRON DOME, MEMBRANE CLAMP, ADJUSTABLE EXTENSION (OR EXTENSION SIZED FOR ROOF INSULATION), SUMP RECEIVER AND UNDERDECK CLAMP.
RD-2	ROOF DRAIN	WATTS	RD-300-R	COATED CAST IRON BODY, BOTTOM OUTLET, NO-HUB ROOF DRAIN WITH CAST OR DUCTILE IRON DOME, MEMBRANE CLAMP, ADJUSTABLE EXTENSION (OR EXTENSION SIZED FOR ROOF INSULATION), SUMP RECEIVER AND UNDERDECK CLAMP.
SD-1	SHOWER DRAIN	WATTS	SD-2PVC-PB	ASME A112.21.1M, ON GRADE PVC TWO PIECE BODY WITH DOUBLE DRAINAGE FLANGE, WEEP HOLES, ADJUSTABLE 4 1/2" DIAMETER SATIN NICKEL BRONZE STRAINER, AND 2" OUTLET SIZE.

- NOTES:
- NOT ALL FIXTURES LISTED MAY BE USED ON PLANS
 - ALL FLOOR DRAINS, FLOOR SINKS, AND ROOF DRAINS SHALL BE PROVIDED AND INSTALLED BY THE PLUMBING CONTRACTOR.
 - SEE SPECIFICATION SECTION SHEET M1.



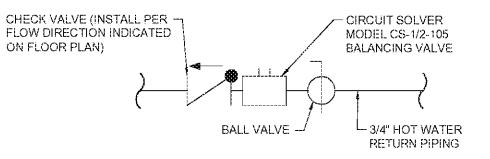
5 WASHER UTILITY BOX DETAIL
SCALE: N.T.S.



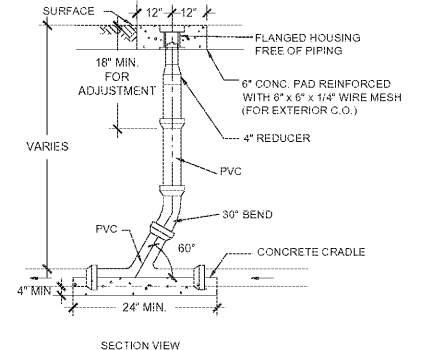
4 DRAIN PIPE DETAIL
SCALE: N.T.S.

EVAPORATOR & CONDENSER UNIT SCHEDULE											
MARK	MANUFACTURER	MODEL	TYPE	PLUMBING			ELECTRICAL				
				WATER	WASTE	GAS	REMARKS	VOLTS/PH	MCA	CU	WEIGHT
EP-1	HEATCRAFT	CEL0100BS6EAB0300	EVAPORATOR	---	IND	---	---	208/1	1	1	59
EP-2	HEATCRAFT	CEL005AS6AMAB0300	EVAPORATOR	---	IND	---	---	208/1	1	1	59
EP-3	HEATCRAFT	CEL0100BS6EAB0300	EVAPORATOR	---	IND	---	---	208/1	1	1	59
EP-4	HEATCRAFT	CEL0105AS6AMAB0300	EVAPORATOR	---	IND	---	---	115/1	1	1	52
CU-1	HEATCRAFT	CCH005SLCACZ0040	CONDENSER	---	---	---	---	208/3	15	DISC	230
CU-2	HEATCRAFT	CCH0019MCACZ0040	CONDENSER	---	---	---	---	208/3	16	DISC	179
CU-3	HEATCRAFT	CCH003SLCACZ0040	CONDENSER	---	---	---	---	208/3	20	DISC	232
CU-4	HEATCRAFT	CCH0019MCACZ0040	CONDENSER	---	---	---	---	208/3	15	DISC	221

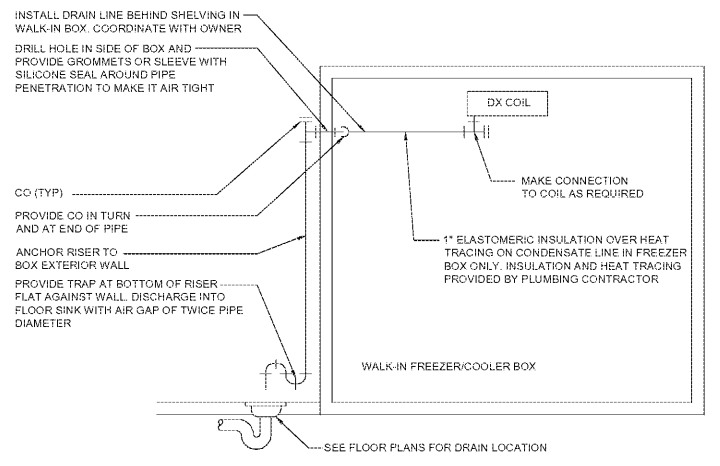
GREASE INTERCEPTOR SCHEDULE					
ALL PRODUCTS ON THIS SHEET ARE FURNISHED AND INSTALLED BY CONTRACTOR					
MARK	MANUFACTURER	QUANTITY	MODEL	FLOW RATE (GPM)	REMARKS
GT-1	GREAT BASIN	2	GB-2	35	POLYETHYLENE BELOW GRADE GREASE INTERCEPTOR. FIELD ADJUSTED RISER SYSTEM WITH BUILT-IN FLOW CONTROL. GREASE INTERCEPTOR SHALL BE RECESSED INTO THE FINISHED FLOOR. PROVIDE ALL REQUIRED STEEL SUPPORT FRAMING AND TIE ROD SUPPORTS. VENT AS REQUIRED BY LOCAL AHJ. INTERCEPTOR SHALL BE CERTIFIED TO ASME A112.14.3 (TYPE C) AND CSA B481.1.



3 HOT WATER BALANCING VALVE DETAIL
SCALE: N.T.S.



2 SANITARY SEWER CLEANOUT
SCALE: N.T.S.



1 FREEZER/COOLER CONDENSATE DETAIL
SCALE: N.T.S.

P:\03\2021\3\28\21 - New\HFA\01\210417 - PLUMBING DETAILS & SCHEDULES\417.dwg
 L:\03\21\15\10417\dwg\cby IN\417\03\2021\3\28\21 - New\HFA\01\210417 - PLUMBING DETAILS & SCHEDULES\417.dwg