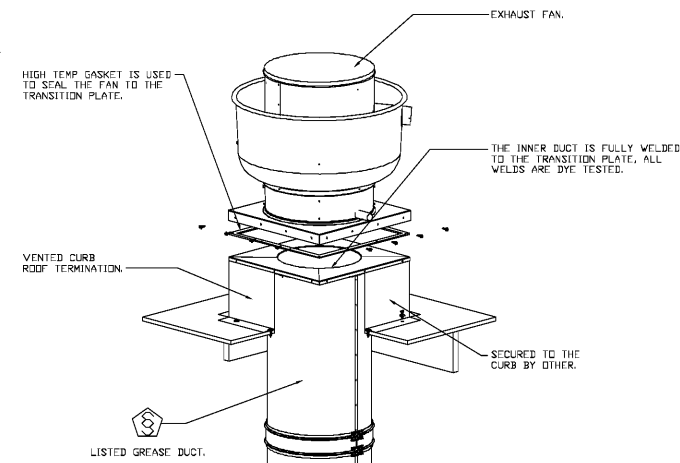


FOR ORDERING CALL THE
 OKLAHOMA / NEWARK REGIONAL OFFICE
 12101 EAST 51ST STREET, SUITE 101-A, TULSA, OK 74146
 PHONE: (800) 221-7633 FAX: (919) 227-5947



GREASE DUCT & CHIMNEY SPECIFICATIONS:
 PROVIDE GREASE DUCT EQUAL TO CAPTIVEAIRE SYSTEMS MODEL "DW"
 ROUND 20 GAUGE 430 STAINLESS STEEL DUCTWORK. MODEL "DW"
 IS LISTED TO UL-1978 AND IS INSTALLED USING "V" CLAMP LOCKING
 CONNECTIONS SEALED WITH 3M FIRE BARRIER 2000 PLUS. MODEL "DW"
 DOES NOT REQUIRE WELDING PROVIDING IT HAS BEEN INSTALLED PER
 THE MANUFACTURES INSTALLATION GUIDE.
 PROVIDE RATED ACCESS DOORS AT EVERY CHANGE IN DIRECTION AND EVERY 30' ON CENTER.
 PER MANUFACTURES LISTING MODEL "DW" HORIZONTAL RUNS LESS THAN 75 FT. CAN BE
 SLOPED 1/16" PER 12", HORIZONTAL RUNS MORE THAN 75 FT. CAN BE SLOPED 3/16" PER 12".
 DUCT SHOULD BE SLOPED AS MUCH AS POSSIBLE TO REDUCE THE CHANCE OF GREASE
 ACCUMULATION IN HORIZONTAL RUNS.

IF THE DUCT OR CHIMNEY IS WITHIN 18 INCHES OF COMBUSTIBLE MATERIAL, PROVIDE
 UL-2221 OR UL-103 HT LISTED DOUBLE WALL GREASE DUCT OR DOUBLE WALL CHIMNEY
 EQUAL TO CAPTIVEAIRE SYSTEMS MODEL "DW- 2R, 2R TYPE 1, 3R, OR 3Z" ROUND 20 GAUGE
 430 STAINLESS INNER DUCT INSULATED WITH A 2" GAUGE 430 STAINLESS OUTER SHELL.



Order Plans @ WWW.LDILine.com

REVISIONS	
DESCRIPTION	DATE

www.captiveaire.com
 Tulsa Office
 12101 East 51st Street, Suite 101A, Tulsa, OK, 74146 PHONE: (918) 258-0291 FAX: (919) 227-5947 EMAIL: reg80@captiveaire.com

Love's #417 - Remodel
 3150 Grant Street,
 Gary, IN, 46408

DATE: 2/8/2021
 DWG.#: 4730504
 DRAWN BY: RJH-80
 SCALE: 3/4" = 1'-0"
 MASTER DRAWING