

THIS DOCUMENT WAS PREPARED FOR ONE SPECIFIC PROJECT AND IS NOT TO BE REPRODUCED, COPIED, REPRINTED, OR TRANSMITTED IN ANY FORM OR BY ANY MEANS, ELECTRONIC OR MECHANICAL, INCLUDING PHOTOCOPYING, RECORDING, OR BY ANY INFORMATION STORAGE AND RETRIEVAL SYSTEM, WITHOUT THE WRITTEN PERMISSION OF HARRISON FRENCH & ASSOCIATES, LTD. CONTRACT NO. 03-18-10417

**REMODEL**

STORE NUMBER: 417  
3150 GRANT ST  
GARY, IN 46408

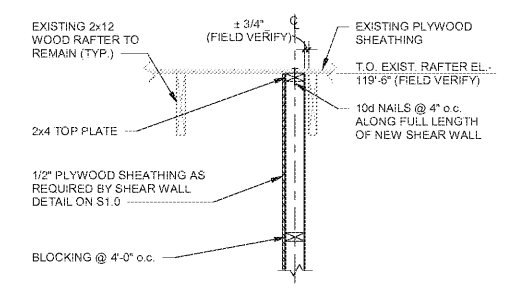
PROJECT NUMBER: 03-18-10417

CHECKED BY: LST  
DRAWN BY: JWK  
DOCUMENT DATE: 02/05/21

2021.02.08 17.26.43-06'00"

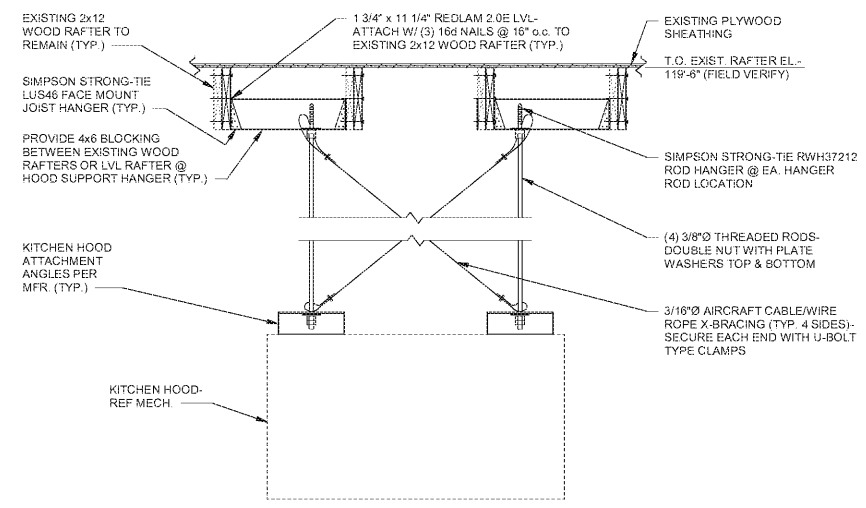
**PARTIAL ROOF FRAMING PLAN & ROOF FRAMING DETAILS**

SHEET: **S2.0**

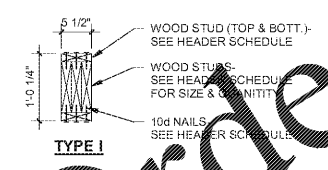


**4 SECTION**  
3/4" = 1'-0"

NOTE:  
REF KITCHEN HOOD MFR. DWGS. FOR PROPER INSTALLATION OF KITCHEN HOODS.



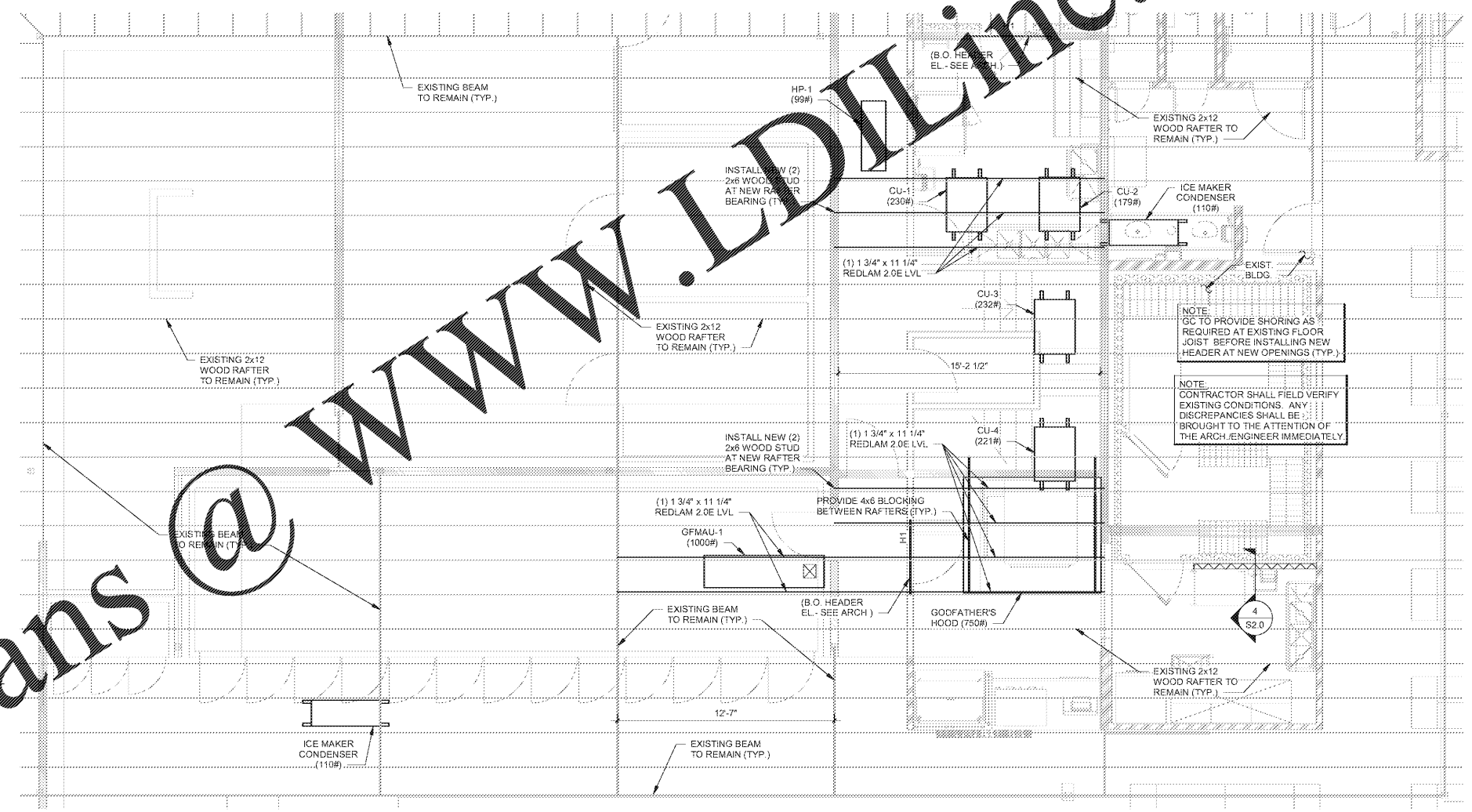
**3 TYP. DETAIL AT KITCHEN HOOD SUPPORT**  
3/4" = 1'-0"



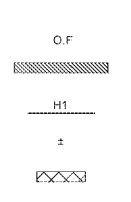
**2 HEADER DETAILS**  
3/4" = 1'-0"

HEADER SCHEDULE				
HEADER MARK	WALL LOCATION	TYPE & SIZE THICKNESS X HEIGHT	ATTACHMENT	REMARKS
H1	6" WOOD STUD WALL	(3) 2 x 10 WOOD STUDS W/ 2 x 6 WOOD STUD (TOP & BOTTOM)	----	SEE NOTES #1, 2 & DTL. 2/S2.0 TYPE 1

HEADER SCHEDULE NOTES:  
1. SEE ARCH. DWGS. FOR EXACT LOCATION OF ALL LINTELS.  
2. PROVIDE A MIN. OF (2) 2 x 6 KING STUDS & (1) 2 x 6 JACK STUD @ JAMBS FOR ALL WOOD STUD BOX HEADERS.

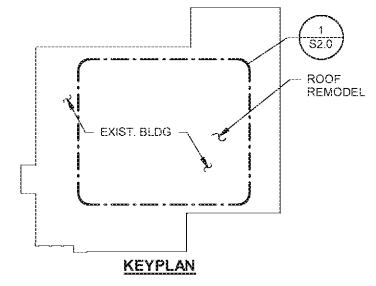


**1 PARTIAL ROOF FRAMING PLAN**  
1/4" = 1'-0"



**LEGEND:**  
O.F. DENOTES OUTSIDE FACE  
H1 DENOTES HEADER (SEE HEADER SCHEDULE THIS SHEET)  
DENOTES DIMENSIONS TO BE FIELD VERIFIED  
DENOTES LOAD BEARING WOOD STUD SHEAR WALL

**PLAN NOTES:**  
1. ALL ELEVATIONS BASED ON FINISH FLOOR EL. 100'-0". FIELD VERIFY ACTUAL FINISH FLOOR ELEVATION.  
2. SEE DWG. S0.0 FOR GENERAL NOTES.  
3. SEE FOUNDATION PLAN & ARCHITECTURAL DWGS. FOR DIMENSIONS NOT SHOWN.



KEYPLAN