

STIPULATION FOR REUSE
 THIS DRAWING AND ANY INFORMATION CONTAINED HEREIN IS THE PROPERTY OF HARRISON FRENCH & ASSOCIATES, LTD. IT IS TO BE USED ONLY FOR THE PROJECT AND SITE SPECIFICALLY IDENTIFIED HEREON. IT IS NOT TO BE REPRODUCED, COPIED, OR TRANSMITTED IN ANY FORM OR BY ANY MEANS, ELECTRONIC OR MECHANICAL, INCLUDING PHOTOCOPYING, RECORDING, OR BY ANY INFORMATION STORAGE AND RETRIEVAL SYSTEM, WITHOUT THE WRITTEN PERMISSION OF HARRISON FRENCH & ASSOCIATES, LTD. CONTRACT TO THE DRAWING.

REMODEL
 STORE NUMBER: 447
 1/8" = 1'-0" SCALE
 JOB NUMBER: 03-18-10417

ISSUE BLOCK

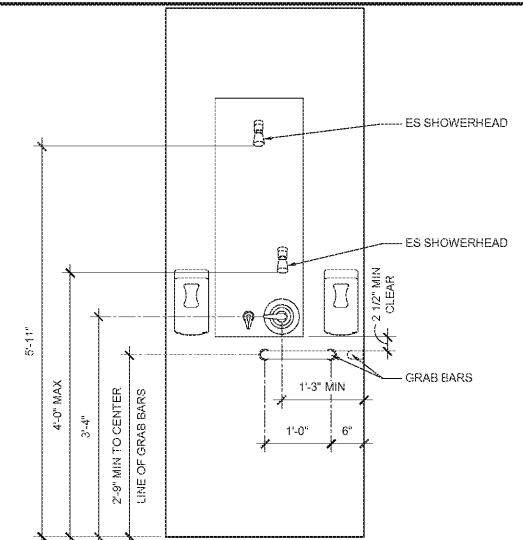
CHECKED BY: RAF
 DRAWN BY: JTH
 DOCUMENT DATE: 02/05/21



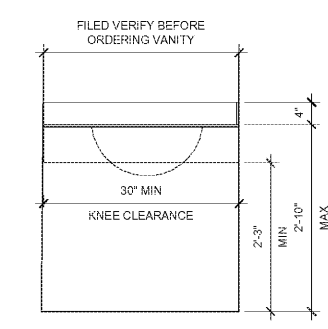
2021.02.09 07:50:43-0600'

INTERIOR ELEVATIONS

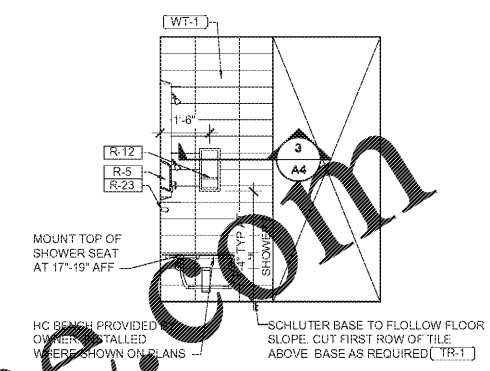
SHEET: **A5.4**



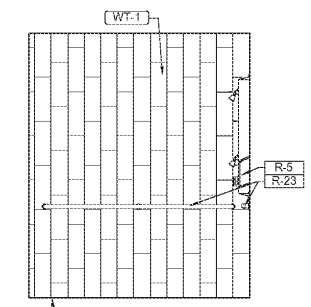
19 ACCESSIBLE SHOWER TOWER
 SCALE: 3/8" = 1'-0"



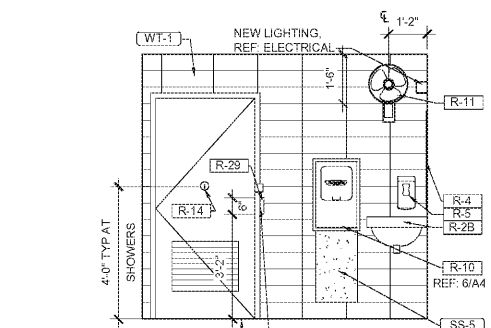
18 ACCESSIBLE SHOWER VANITY
 SCALE: 3/4" = 1'-0"



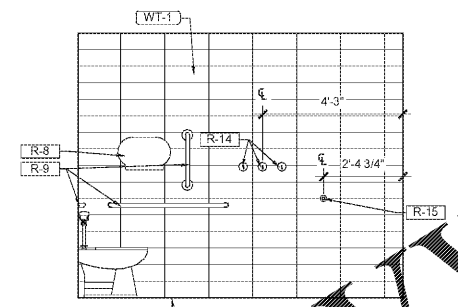
17 SHOWER ELEVATION
 SCALE: 3/8" = 1'-0"



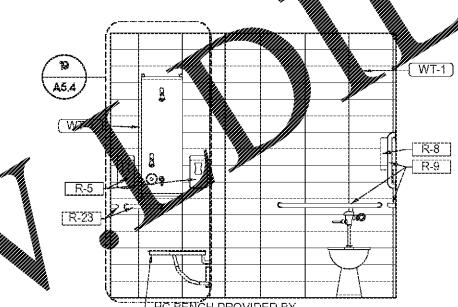
16 SHOWER ELEVATION
 SCALE: 3/8" = 1'-0"



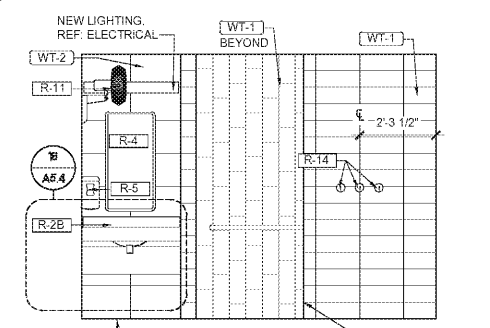
15 SHOWER ELEVATION
 SCALE: 3/8" = 1'-0"



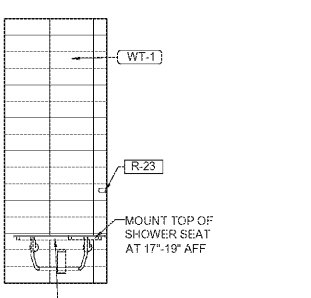
14 SHOWER ELEVATION
 SCALE: 3/8" = 1'-0"



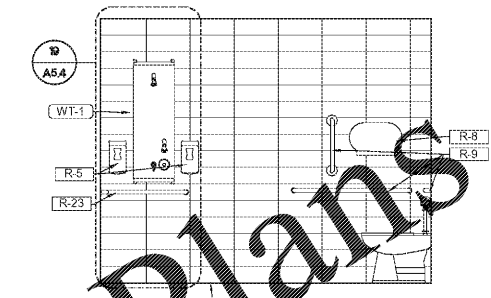
13 SHOWER ELEVATION
 SCALE: 3/8" = 1'-0"



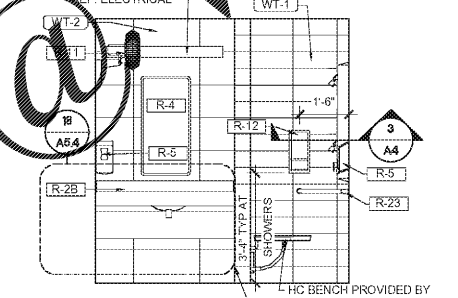
12 SHOWER ELEVATION
 SCALE: 3/8" = 1'-0"



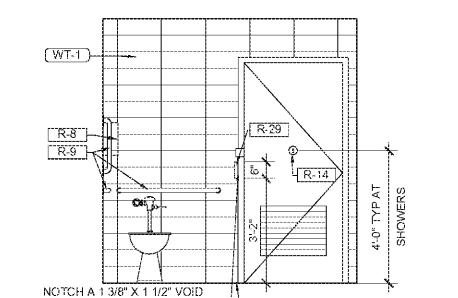
11 SHOWER ELEVATION
 SCALE: 3/8" = 1'-0"



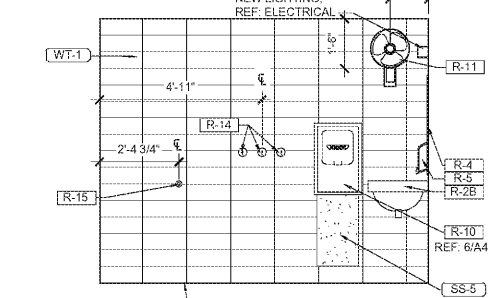
10 SHOWER ELEVATION
 SCALE: 3/8" = 1'-0"



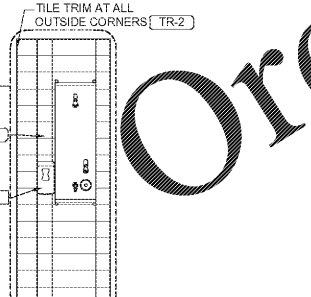
9 SHOWER ELEVATION
 SCALE: 3/8" = 1'-0"



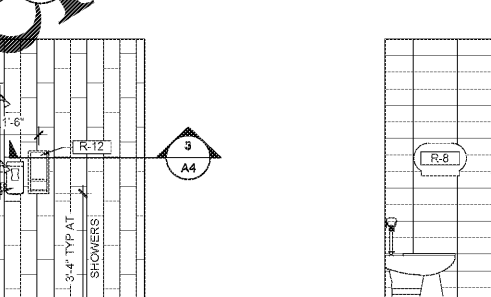
8 SHOWER ELEVATION
 SCALE: 3/8" = 1'-0"



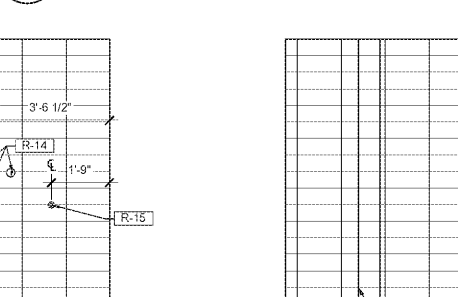
7 SHOWER ELEVATION
 SCALE: 3/8" = 1'-0"



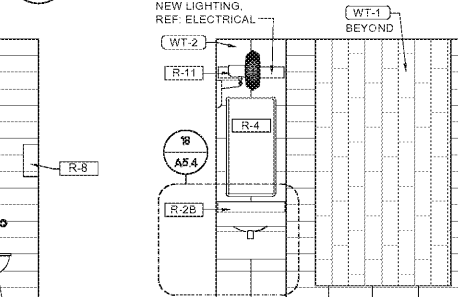
6 SHOWER ELEVATION
 SCALE: 3/8" = 1'-0"



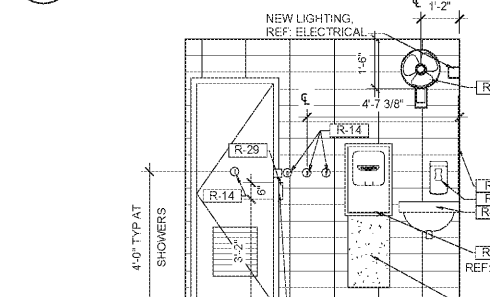
5 SHOWER ELEVATION
 SCALE: 3/8" = 1'-0"



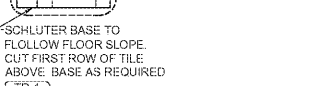
4 SHOWER ELEVATION
 SCALE: 3/8" = 1'-0"



3 SHOWER ELEVATION
 SCALE: 3/8" = 1'-0"



2 SHOWER ELEVATION
 SCALE: 3/8" = 1'-0"



1 SHOWER ELEVATION
 SCALE: 3/8" = 1'-0"

Order Plans

@www.dline.com

DATE: 02/05/21 09:50:43-0600' FILE: 03-18-10417.DWG USER: JTH