



HARRISON FRENCH & ASSOCIATES, LTD

1705 S. Walton Blvd., Suite 3
Bentonville, Arkansas 72712
+ 479.213.7780
f 888.520.0685
www.hfa-ae.com

STIPULATION FOR REUSE
THIS DRAWING AND ANY INFORMATION CONTAINED HEREIN IS THE PROPERTY OF HARRISON FRENCH & ASSOCIATES, LTD. IT IS TO BE USED ONLY FOR THE PROJECT AND SITE SPECIFICALLY IDENTIFIED HEREON. IT IS NOT TO BE REPRODUCED, COPIED, OR TRANSMITTED IN ANY FORM OR BY ANY MEANS, ELECTRONIC OR MECHANICAL, INCLUDING PHOTOCOPYING, RECORDING, OR BY ANY INFORMATION STORAGE AND RETRIEVAL SYSTEM, WITHOUT THE WRITTEN PERMISSION OF HARRISON FRENCH & ASSOCIATES, LTD.

REMODEL
STORE NUMBER: 447
JOB NUMBER: 03-18-10417

ISSUE BLOCK

NO.	DESCRIPTION	DATE

CHECKED BY: RAF
DRAWN BY: JTH
DOCUMENT DATE: 02/05/21

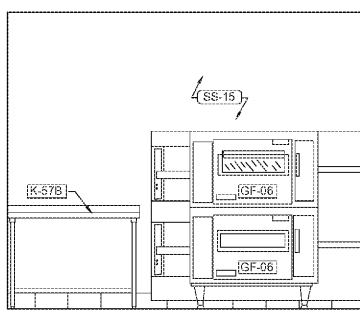


2021.02.09 07:51:31-06'00"

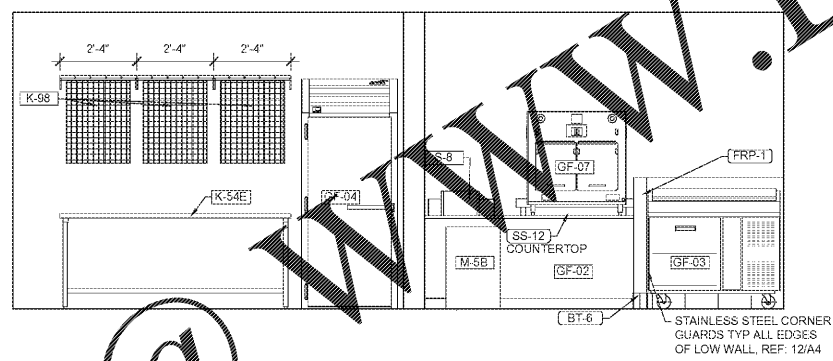
INTERIOR ELEVATIONS

SHEET: A5

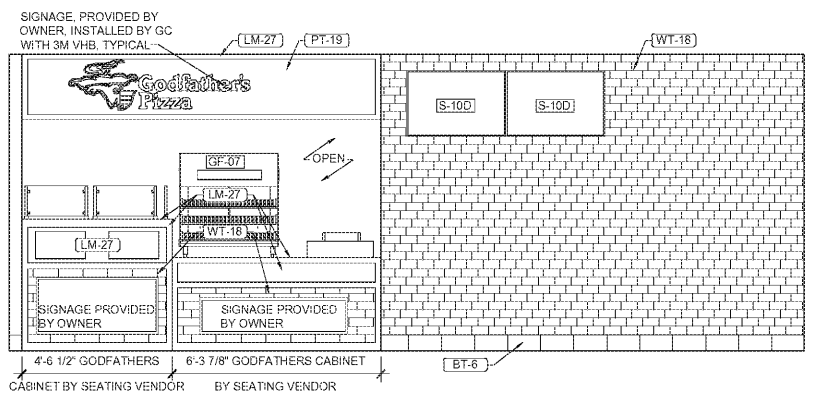
WWW.LDILine.com



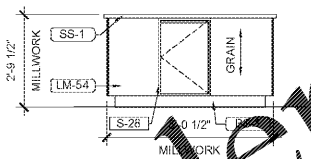
8 INTERIOR ELEVATION
SCALE: 3/8" = 1'-0"



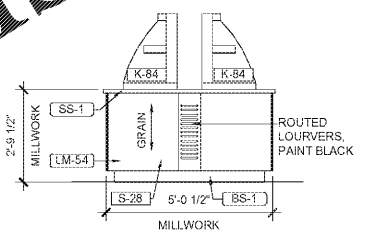
7 INTERIOR ELEVATION
SCALE: 3/8" = 1'-0"



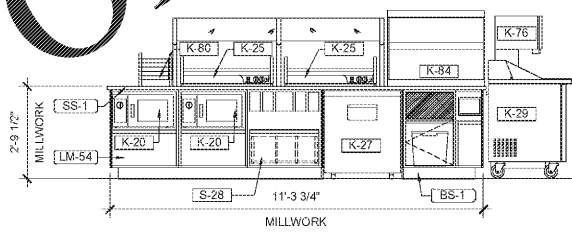
6 INTERIOR ELEVATION
SCALE: 3/8" = 1'-0"



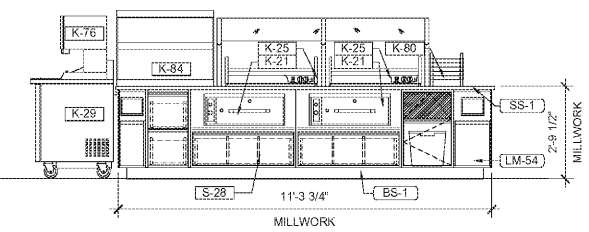
5 INTERIOR ELEVATION
SCALE: 3/8" = 1'-0"



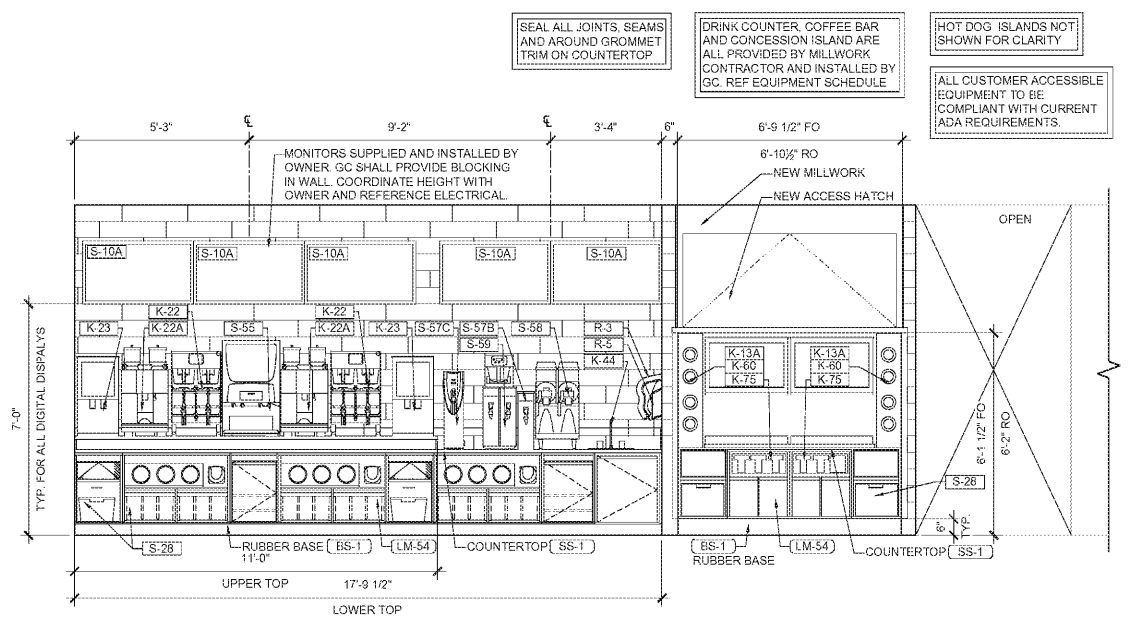
4 INTERIOR ELEVATION
SCALE: 3/8" = 1'-0"



3 INTERIOR ELEVATION
SCALE: 3/8" = 1'-0"



2 INTERIOR ELEVATION
SCALE: 3/8" = 1'-0"



1 INTERIOR ELEVATION
SCALE: 3/8" = 1'-0"

FILED: 2021.02.09 07:51:31-06'00" L:\030318-10417-0001-001.dwg User: jth Date: 02/05/21 10:41:31 AM