

STIPULATION FOR REUSE
THIS DRAWING AND ANY INFORMATION CONTAINED HEREIN IS THE PROPERTY OF HARRISON FRENCH ASSOCIATES, LTD. IT IS TO BE USED ONLY FOR THE PROJECT AND SITE SPECIFICALLY IDENTIFIED HEREON. IT IS NOT TO BE REPRODUCED, COPIED, REUSED, OR TRANSMITTED IN ANY FORM OR BY ANY MEANS, ELECTRONIC OR MECHANICAL, INCLUDING PHOTOCOPYING, RECORDING, OR BY ANY INFORMATION STORAGE AND RETRIEVAL SYSTEM, WITHOUT THE WRITTEN PERMISSION OF HARRISON FRENCH ASSOCIATES, LTD.

REMODEL
STORE NUMBER: 447
JOB NUMBER: 03-18-10417

ISSUE BLOCK

NO.	DATE	DESCRIPTION

CHECKED BY: RAF
DRAWN BY: JTH
DOCUMENT DATE: 02/05/21

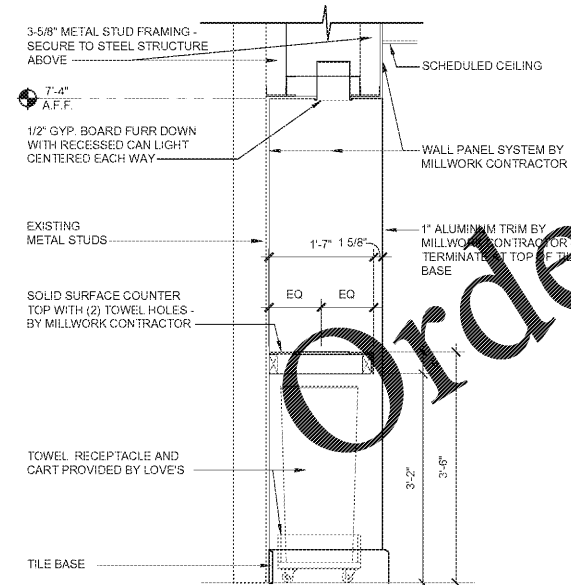


2021.02.09 07:52:08-06'00"

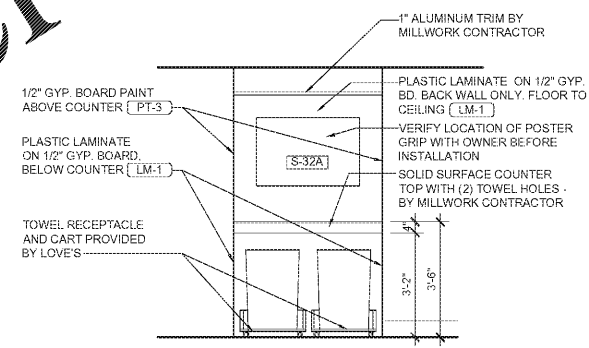
SECTIONS & DETAILS

SHEET **A4.3**

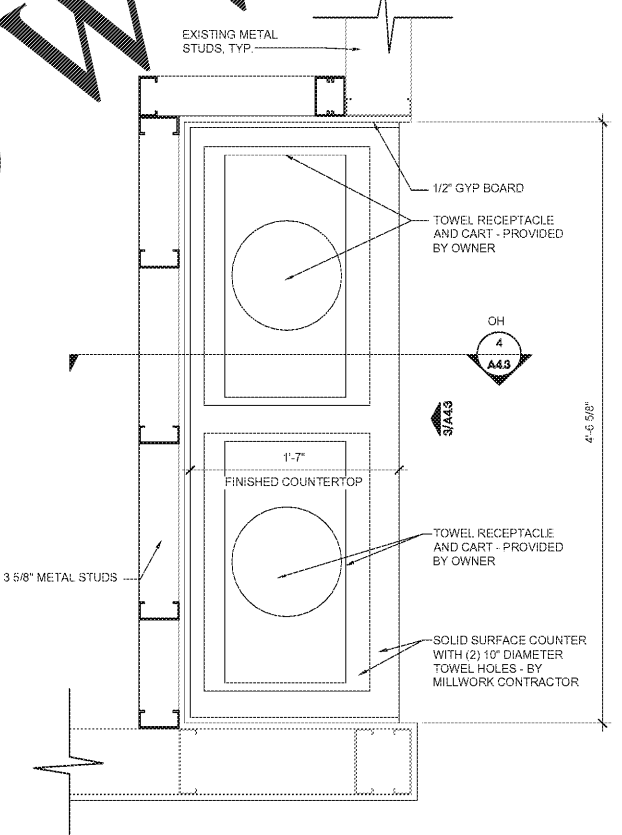
www.LDILine.com



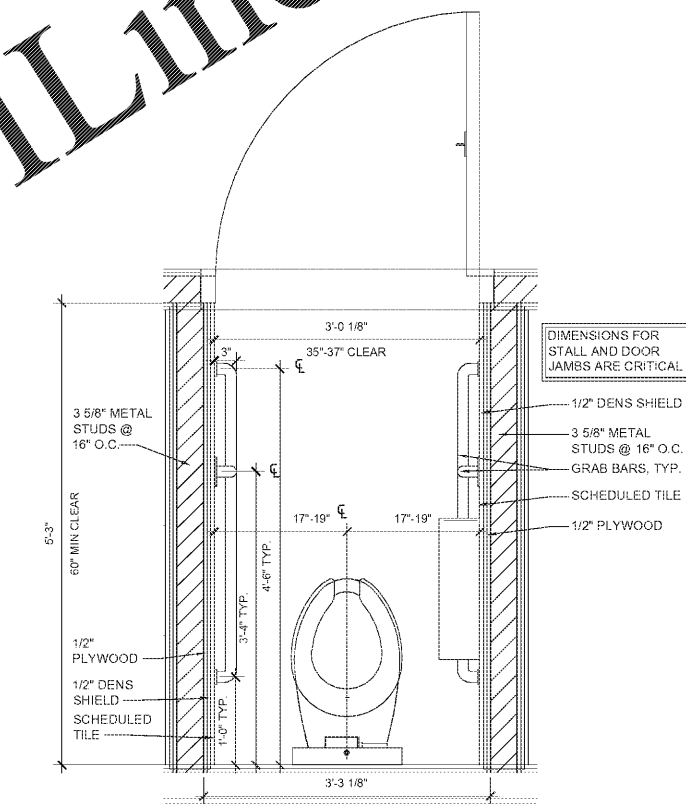
4 TOWEL DROP SECTION
SCALE: 3/4" = 1'-0"



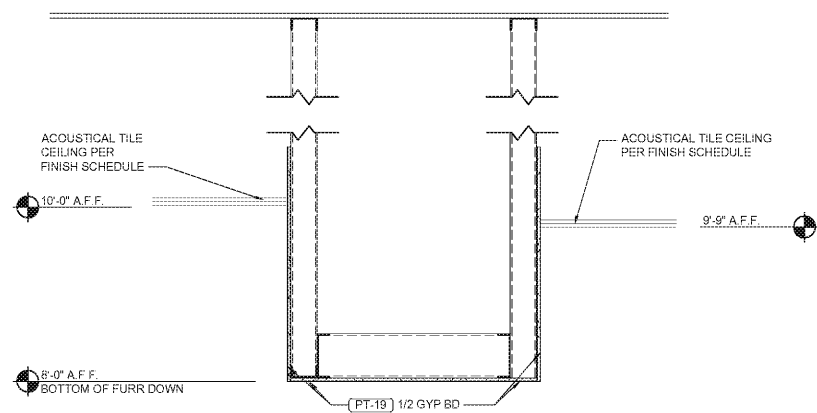
3 INTERIOR ELEVATION
SCALE: 3/8" = 1'-0"



2 TOWEL DROP
SCALE: 1 1/2" = 1'-0"



5 ABULATORY ACCESSIBLE STALL PLAN
SCALE: 1" = 1'-0"



1 BULKHEAD DETAIL
SCALE: 1" = 1'-0"

FILED: 02/05/21 09:54 AM - USER: JTH/RAF
 L:\0303\18-10417\Drawings - Revit\18-10417-0003\STRUCTURE\18-10417-0003-A4.3 SECTIONS & DETAILS.dwg