

STIPULATION FOR REUSE
THIS DRAWING AND SPECIFICATIONS ARE THE PROPERTY OF HARRISON FRENCH & ASSOCIATES, LTD. AND ARE NOT TO BE REPRODUCED, COPIED, OR TRANSMITTED IN ANY FORM OR BY ANY MEANS, ELECTRONIC OR MECHANICAL, INCLUDING PHOTOCOPYING, RECORDING, OR BY ANY INFORMATION STORAGE AND RETRIEVAL SYSTEM, WITHOUT THE WRITTEN PERMISSION OF HARRISON FRENCH & ASSOCIATES, LTD.

REMODEL
STORE NUMBER: 447
JOB NUMBER: 03-18-10417

ISSUE BLOCK

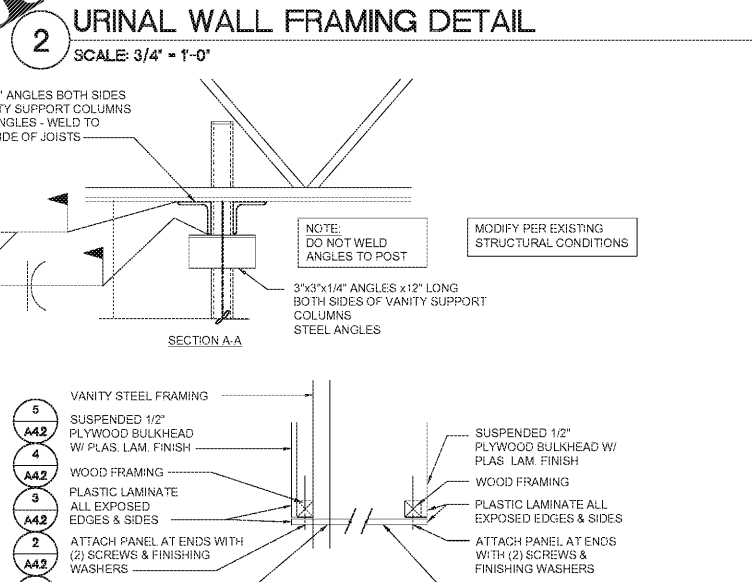
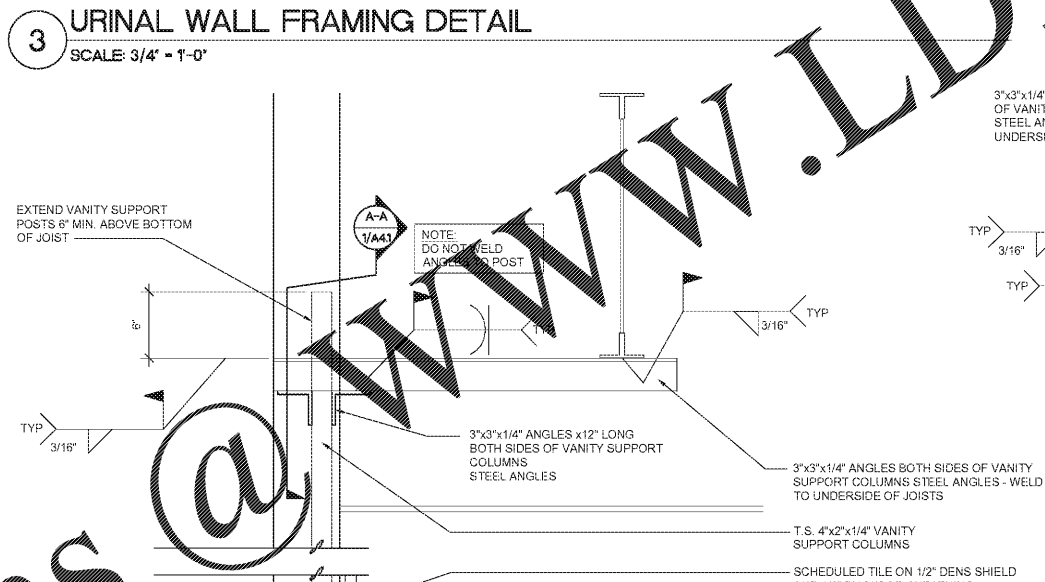
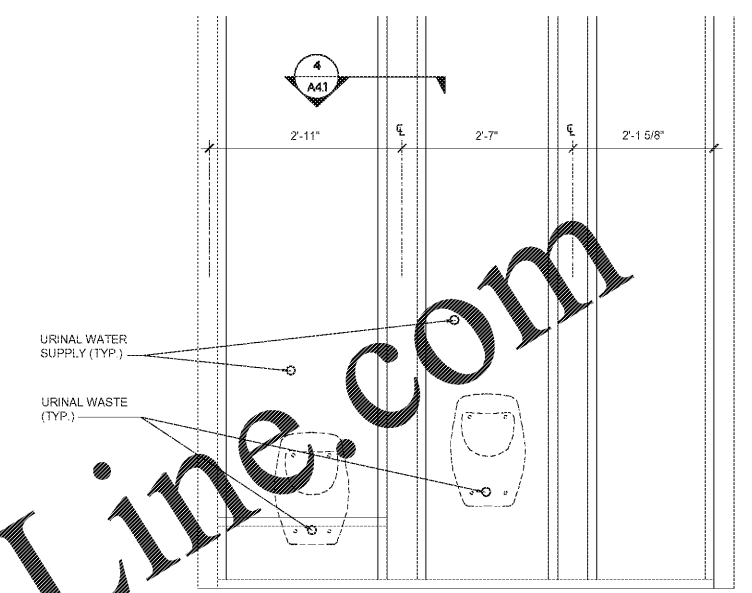
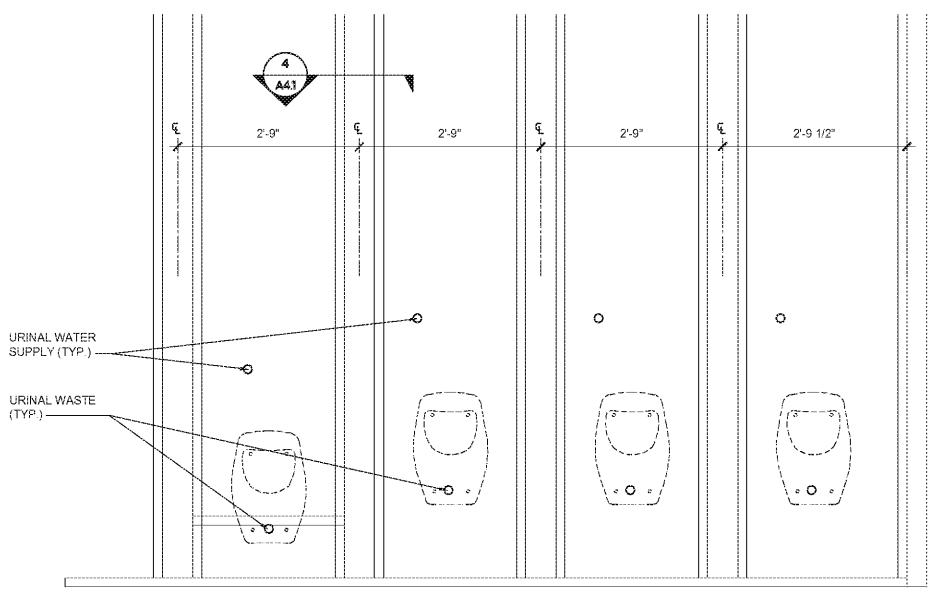
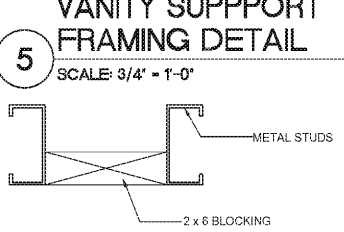
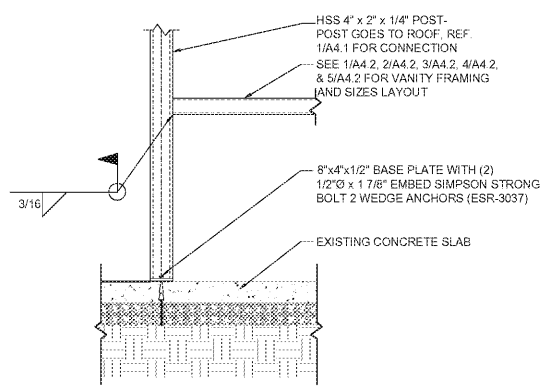
CHECKED BY: RAF
DRAWN BY: JTH
DOCUMENT DATE: 02/05/21



2021.02.09 07:51:53-06'00"

SECTIONS & DETAILS

SHEET: **A4.1**



Order Plans @

WWW.LDILine.com