

**STIPULATION FOR REUSE**  
 THIS DRAWING AND SPECIFICATIONS ARE THE PROPERTY OF HARRISON FRENCH & ASSOCIATES, LTD. AND ARE NOT TO BE REPRODUCED OR TRANSMITTED IN ANY FORM OR BY ANY MEANS, ELECTRONIC OR MECHANICAL, INCLUDING PHOTOCOPYING, RECORDING, OR BY ANY INFORMATION STORAGE AND RETRIEVAL SYSTEM, WITHOUT THE WRITTEN PERMISSION OF HARRISON FRENCH & ASSOCIATES, LTD.

**REMODEL**  
 STORE NUMBER: 447  
 1505 CHINA CREEK  
 GARY, IN 46408  
 JOB NUMBER: 03-18-10417

**ISSUE BLOCK**

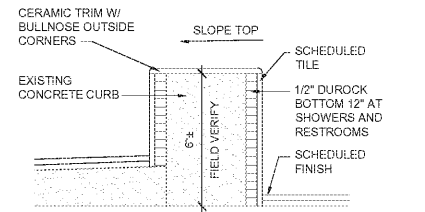

CHECKED BY: RAF  
 DRAWN BY: JTH  
 DOCUMENT DATE: 02/05/21



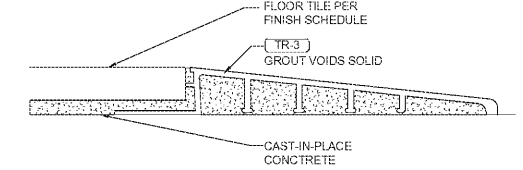
2021.02.09 07:46:06-08:00'

**SECTIONS & DETAILS**

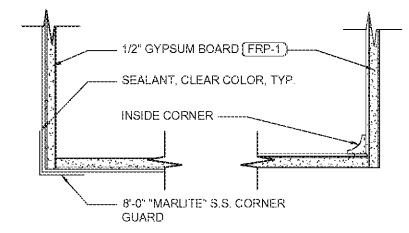
SHEET: **A4**



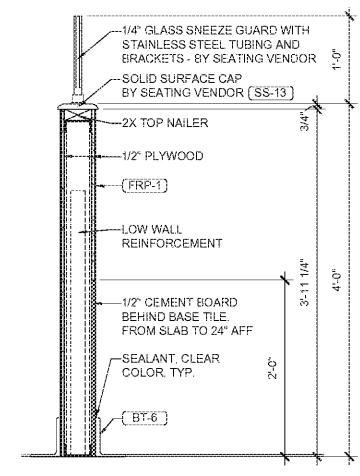
**13 SHOWER CURB DETAIL**  
 SCALE: 3' = 1'-0"



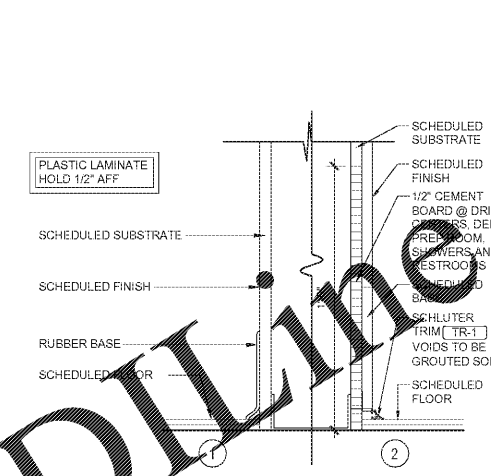
**12 TILE TRANSITION DETAIL**  
 SCALE: 12\"/>



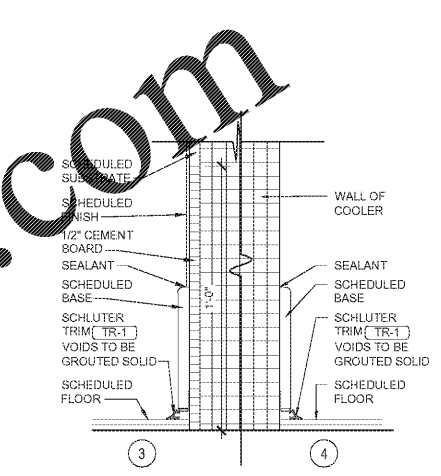
**11 MARLITE CORNER TRIM**  
 SCALE: 3' = 1'-0"



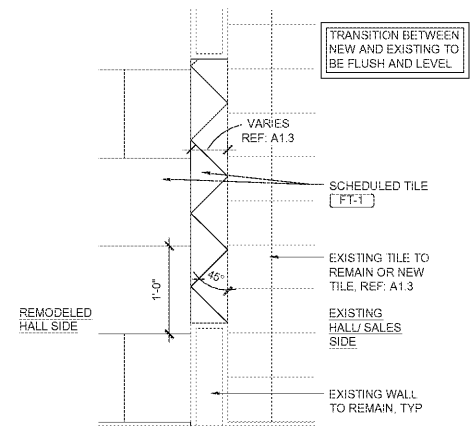
**10 LOW WALL**  
 SCALE: 1' = 1'-0"



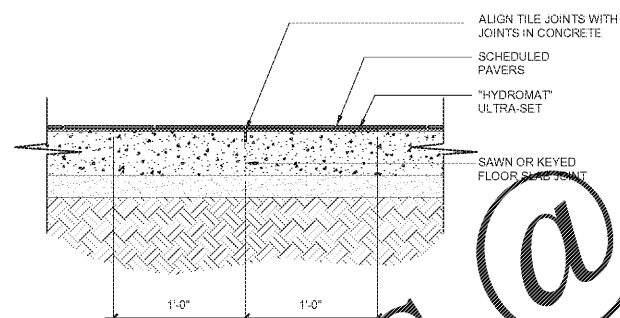
**9 BASE DETAIL**  
 SCALE: 3' = 1'-0"



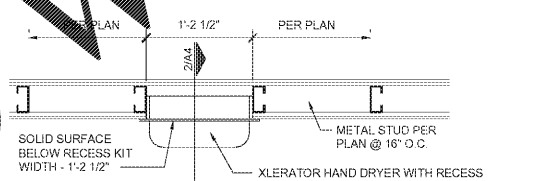
**8 TILE TRANSITION DETAIL**  
 SCALE: 1' = 1'-0"



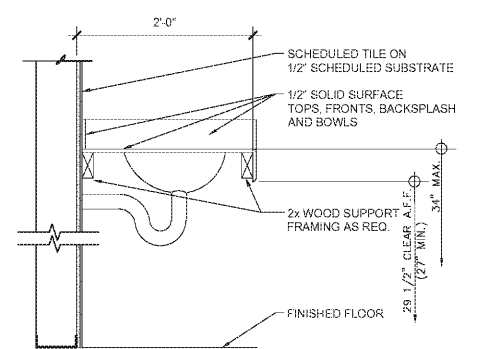
**8 TILE TRANSITION DETAIL**  
 SCALE: 1' = 1'-0"



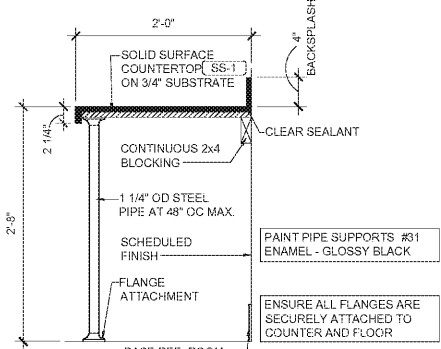
**7 TILE EXPANSION DETAIL**  
 SCALE: 1 1/2\"/>



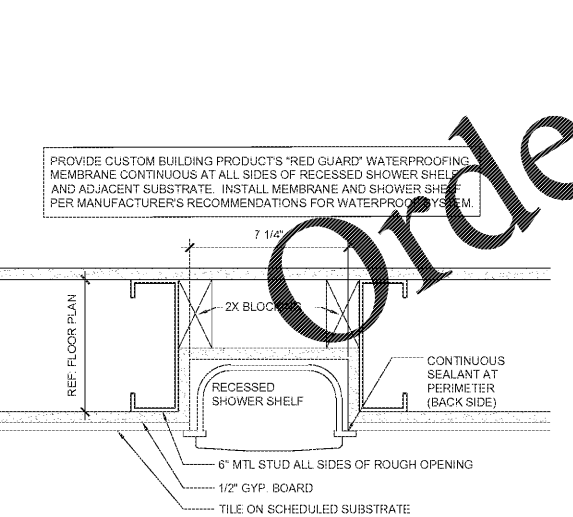
**6 RECESSED HAND DRYER PLAN**  
 SCALE: 1' = 1'-0"



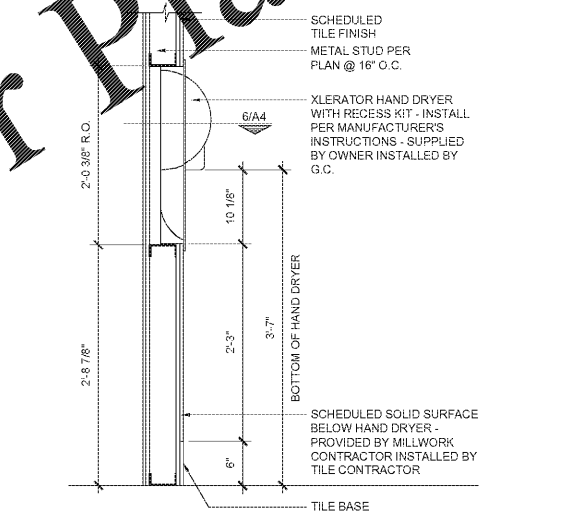
**5 VANITY SECTION**  
 SCALE: 1' = 1'-0"



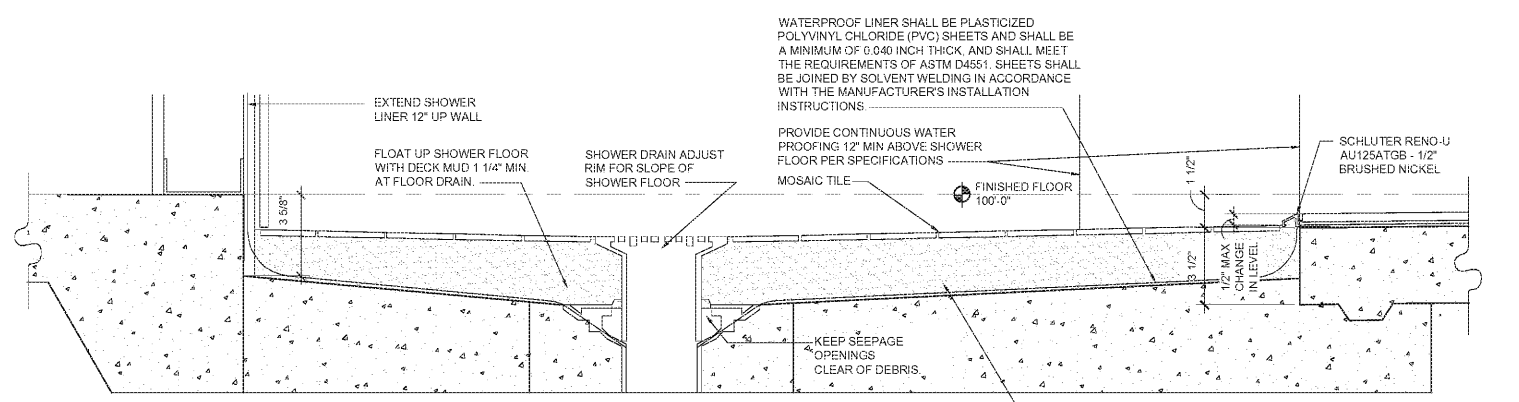
**4 COUNTER SECTION**  
 SCALE: 1' = 1'-0"



**3 RECESSED SHOWER SHELF PLAN**  
 SCALE: 3' = 1'-0"



**2 RECESSED HAND DRYER SECTION**  
 SCALE: 1' = 1'-0"



**1 DETAIL AT SHOWER**  
 SCALE: 3' = 1'-0"

DATE: 02/05/21 11:46 AM  
 L:\030315-10417\Draws\Gary, IN\47700000\Structural\90-A4\SECTIONS & DETAILS.dwg

Order Plans @ www.LDilino.com