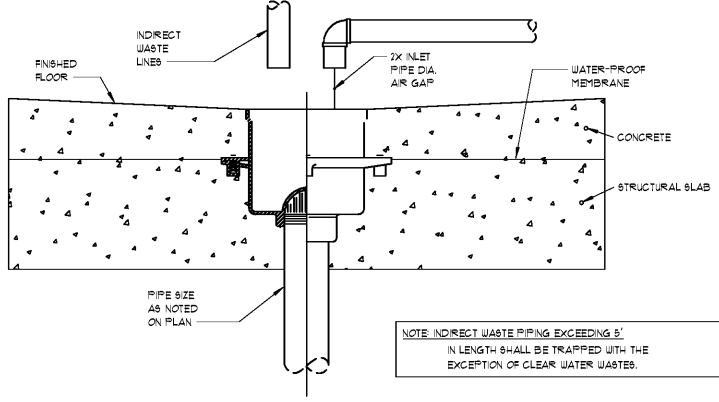
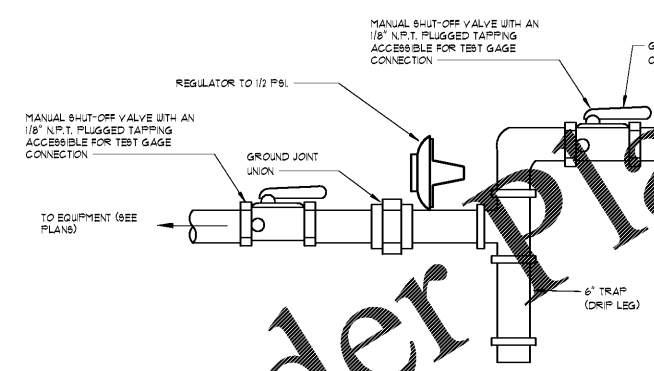


2 FLOOR DRAIN DETAIL  
NOT TO SCALE



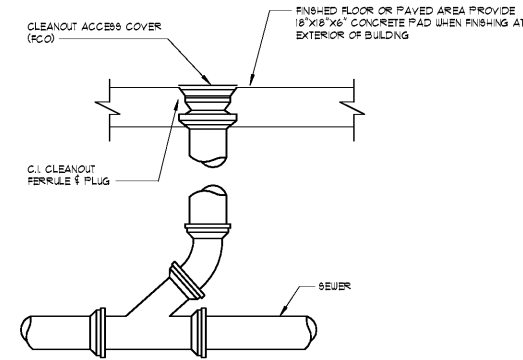
3 FLOOR SINK DETAIL  
NOT TO SCALE



4 GAS CONNECTION TO EQUIPMENT DETAIL  
NOT TO SCALE

PLUMBING FIXTURE SCHEDULE						
TAG	FIXTURE	CU	HU	WASTE	VENT	SPECIFICATION
WC-1	WATER CLOSET - ADA	1"	N/A	4"	2"	AMERICAN STANDARD, WATER CLOSET, 1.28 GPF, FLOOR-MOUNT, VITREOUS CHINA WITH EVERCLEAN SURFACE, PRESSURE-ASSISTED FLUSH TANK WITH LOCKING COVER.
UR-1	URNAL	3/4"	N/A	4"	2"	URNAL @ 1.25 GPF, WALL-HUNG, VITREOUS CHINA WITH EVERCLEAN SURFACE, EXPOSED, BATTERY POWERED ELECTRONIC SENSOR FLUSH VALVE AMERICAN STANDARD, FINTEK 6092.001, 6093.013,002.
LV-1	LAVATORY - WALL MOUNTED ADA	1/2"	1/2"	2"	1-1/2"	LAVATORY, WALL-MOUNTED, VITREOUS CHINA, METEDED, 1.5 GPM @ 10 SEC. CYCLE @ 1.25 GAL/CYCLE, HARD-WIRED ELECTRONIC SENSOR FAUCET, WITH ASSE-019 MIXING VALVE, AMERICAN STANDARD, LUCERNE 0356-078, FINTEK 6095.202
IMB-1	ICE MAKER BOX	3/4"	N/A	N/A	N/A	GUY GREY #MB14AAS, WHITE POWDER COATED GALVANIZED STEEL WITH QUARTER TURN VALVE AND MIN ARRESTER.
IMB-2	ICE MAKER BOX - COFFEE MAKER	3/4"	N/A	N/A	N/A	GUY GREY #MB14AAS, WATTS #502, WHITE POWDER COATED GALVANIZED STEEL WITH QUARTER TURN VALVE AND MIN ARRESTER. COORDINATE FINAL LOCATION WITH ARCHITECT. PROVIDE DUAL CHECK VALVE IN-LINE FOR CONNECTION TO COFFEE MAKER.
SK-1	HANDWASH SINK	3/4"	3/4"	2"	1-1/2"	SINK SUPPLIED BY KITCHEN EQUIPMENT MANUFACTURER, T65 BRASS #B-1115 FAUCET SUPPLIED BY PLUMBER. PROVIDE THY SET TO 10°
SK-2	1 COMPARTMENT SINK	3/4"	3/4"	3"	2"	SINK SUPPLIED BY KITCHEN EQUIPMENT MANUFACTURER, T65 BRASS #B-023-CR FAUCET SUPPLIED BY WHATABURGER. PROVIDE THY SET TO 10°
SK-3	3 COMPARTMENT SINK	3/4"	3/4"	3"	2"	SINK SUPPLIED BY KITCHEN EQUIPMENT MANUFACTURER, T65 BRASS #B-0156-CR FAUCET SUPPLIED BY WHATABURGER. PROVIDE THY SET TO 10°
WF-1	WALL MOUNT FAUCET	3/4"	3/4"	N/A	N/A	T65 BRASS #B-023-CR FAUCET WITH 000 STOPS SUPPLIED BY PLUMBER. 1/2" SINK SPOT OUTLET, 8" CENTERS, CAST BRASS. PROVIDE WITH LEVER HANDLE. (FOR SHAKE MACHINE)
FD	FLOOR DRAIN	N/A	N/A	3"	N/A	JR SMITH 3000 WITH 6" TYPE B SQUARE ADJUSTABLE STRAINER WITH SATIN NICKEL BRONZE FINISH. PROVIDE WITH VANDAL PROOF SECURED TOP.
FS	FLOOR SINK	N/A	N/A	4"	N/A	JR SMITH 3000, 8" SQUARE, REMOVABLE GRATE WITH 3" STAINLESS STEEL FIN. PROVIDE TRAP PRIMER.
FCO	FLOOR CLEAN OUT	N/A	N/A	N/A	N/A	JR SMITH 4031 WITH TAPER THREAD BRONZE PLUG AND ROUND, REMOVABLE SCORRIATED SECURED NICKEL BRONZE
WCO	WALL CLEAN OUT	N/A	N/A	N/A	N/A	JR SMITH 4107 OR 4115 STAINLESS STEEL SHALL COVER OR CHROME PLATED BRONZE SHALL COVER WITH CENTER SCREW

- PLUMBING GENERAL NOTES**
- COORDINATE LOCATION OF PIPE ROUTING WITH LIGHT FIXTURES AND ELECTRICAL CONTRACTOR. SELECT PIPING FOR DUCTWORK, IF NECESSARY, AS DIRECTED BY THE ARCHITECT/ENGINEER. THE CONTRACTOR SHALL KEEP A RECORD OF THE CHANGES WHICH ARE IN CONFLICT WITH THESE DRAWINGS AND SPECIFICATIONS. AT THE COMPLETION OF THIS WORK THE CONTRACTOR SHALL SUBMIT "AS BUILT" PRINTS TO THE OWNER.
  - THE DRAWINGS ARE DIAGNOSTIC AND DO NOT NECESSARILY SHOW THE EXACT ROUTING OR DETAILS OF THE WORK SHALL BE INSTALLED AS A COMPLETE SYSTEM WITH NECESSARY COMPONENTS, FITTINGS, STRAPS, ETC. ALL VALVES SHALL BE INSTALLED SO THAT THEY ARE ACCESSIBLE.
  - REFER TO THE ENTIRE CONTRACTED DRAWING SET AND SPECIFICATIONS FOR GUIDANCE ON DIMENSIONS, FINISHES, DOOR SINGS, ROOM FINISHES, STRUCTURAL DETAILS, LOCATIONS OF DUCTWORK, PIPING AND STRUCTURAL MEMBERS. INSTALL THE PLUMBING SYSTEMS SO AS NOT TO INTERFERE WITH THE INSTALLATION OR FUNCTION OF ANOTHER DISCIPLINE WORK. PIPING ROUTED EXPOSED TO VIEW SHALL BE ROUTED TIGHT TO STRUCTURE OR AS OTHERWISE DIRECTED BY ARCHITECT/ENGINEER.
  - ALL PIPING MUST BE CONCEALED ABOVE THE CEILING OR IN THE WALLS, UNLESS OTHERWISE NOTED.
  - COORDINATE VALVE LOCATIONS WITH ARCHITECTURAL REFLECTED CEILING PLAN TO ENSURE NONE ARE INSTALLED OVER GYPSUM BOARD CEILING.



1 CLEANOUT DETAIL  
NOT TO SCALE

LEGEND - PLUMBING		
SYMBOL	ABBREV.	DESCRIPTION
---	S OR W	SANITARY OR WASTE PIPING BELOW FLOOR OR GRADE
---	S OR W	SANITARY OR WASTE ABOVE GROUND
---	V	VENT PIPING
---	CU	DOMESTIC COLD WATER
---	HU	DOMESTIC HOT WATER
---	HUR	HOT WATER RECIRCULATE
---	G	NATURAL GAS PIPING
○	VTR	SANITARY VENT THROUGH ROOF
⊖	FD	FLOOR DRAIN
⊖	HD	HUB DRAIN
⊖	CO	CLEANOUT
⊖	FCO	FLOOR CLEANOUT
⊖	WCO	WALL CLEANOUT
⊖	NFH	NON FREEZE WALL HYDRANT
⊖	BY	BALL VALVE
⊖	CV	CHECK VALVE
⊖	BC	BALANCING COCK OR VALVE
⊖	WA	WATER ARRESTOR (UNLEADED)
⊖	BFP	BACKFLOW PREVENTER ASSEMBLY
⊖	RFP	REDUCED PRESSURE ZONE (BFP)
⊖	RV	REDUCING VALVE
⊖	TR	TEMPERATURE AND PRESSURE RELIEF VALVE
⊖	TP	TRAP PRIMER
⊖	PG	PRESSURE GAUGE WITH GAUGE COCK
⊖	TM	THERMOMETER
⊖	UN	UNION
⊖	ST	STRAINER
⊖	IE	INVERT ELEVATION
→		DIRECTION OF FLOW IN PIPE
↘		DIRECTION OF FITCH OF PIPE
⊕		CONNECT TO EXISTING
P-1		PLUMBING FIXTURE DESIGNATION
①		REFER TO PLUMBING KEYNOTES
~		CONTINUE TO DESIGNATED LOCATION
---	AFG	ABOVE FINISHED GRADE
---	BFF	BELOW FINISHED FLOOR
---	BRG	BELOW FINISHED GRADE
---	A/C	ABOVE CEILING
---	A/F	ABOVE FLOOR
---	B/F	BELOW FLOOR
---	B/G	BELOW GRADE
---	AFR	ABOVE FINISHED FLOOR
⊖		HUB DRAIN
⊖		P-TRAP
⊖		PIPING UP
⊖		PIPING DOWN
⊖		PIPING TEE
⊖		PLUMBING FIXTURE DESIGNATION
°	F	DEGREE FAHRENHEIT
FT		FOOT
GPM		GALLONS PER MINUTE
RPM		REVOLUTIONS PER MINUTE
ENT.		ENTERING
LVG.		LEAVING
Pbl		POUNDS PER SQUARE INCH
PH		PHASE
GPH		GALLONS PER HOUR
EFF		EFFICIENCY
HP		HORSE POWER
GAL		GALLON
CFH		CUBIC FEET PER HOUR
N		NCH
CD		CONDENSATE
PRA		PROJECTED ROOF AREA (SQUARE FEET)

GAS METER SCHEDULE					
TAG	PRESSURE (PSIG)	ESTIMATED CAPACITY (CFH)	MAXIMUM TOTAL EQUIV. LINE LENGTH..	OUTLET PIPE SIZE (IN)	NOTES
GM-1	2	569	125	1	N/A

HOT WATER CIRCULATING PUMP SCHEDULE										
TAG	TYPE	LOCATION	SERVICE	HEAD (FT)	GPM	WATTS	RPM	VOLT/PH	BA919 OF DESIGN	NOTES
RP-1	CLOSED-COUPLE IN-LINE	BACK OF HOUSE	DOMESTIC HOT WATER	25	5	90	3,000	120/1	BELL & GOSSETT: NBF	1, 2, 3, 4

**NOTES**

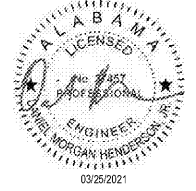
- DISCONNECT SWITCH FURNISHED AND INSTALLED BY ELECTRICAL CONTRACTOR.
- MOTOR SHALL BE PREMIUM EFFICIENCY.
- MOTOR SHALL BE BRONZE OR STAINLESS STEEL CONSTRUCTION.
- PROVIDE THE CLOCK AND ADJUSTAT SO THE PUMP DOES NOT OPERATE WHILE BUILDING IS UNOCCUPIED.



126 TICHENOR AVE  
AUBURN, AL 36830  
334.887.7010



SEALS & SIGNATURES:



REV	DESCRIPTION	DATE

101 N COLLEGE STREET

101 N. COLLEGE STREET  
AUBURN, AL 36830



Project No.: SNA Project #: 2021-04  
Client Project No.: 210000X

GENERAL NOTES, LEGENDS, AND SCHEDULES - PLUMBING

Date: 03/25/2021 Phase:  
Designed: Designer  
Drawn: Author  
Checked: Checker

Drawing No.: P0.1