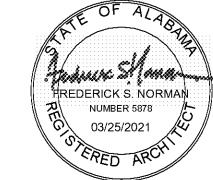




126 TICHENOR AVE
AUBURN, AL 36830
334.887.7010

IN ASSOCIATION WITH:

SEALS & SIGNATURES:



REV	DESCRIPTION	DATE

101 N COLLEGE STREET

101 N. COLLEGE STREET
AUBURN, AL 36830



Project No.: SNA Project # 2021-04
Client Project No.:

Drawing Title:
KITCHEN ELEVATIONS

Date: 03/25/2021

Phase:

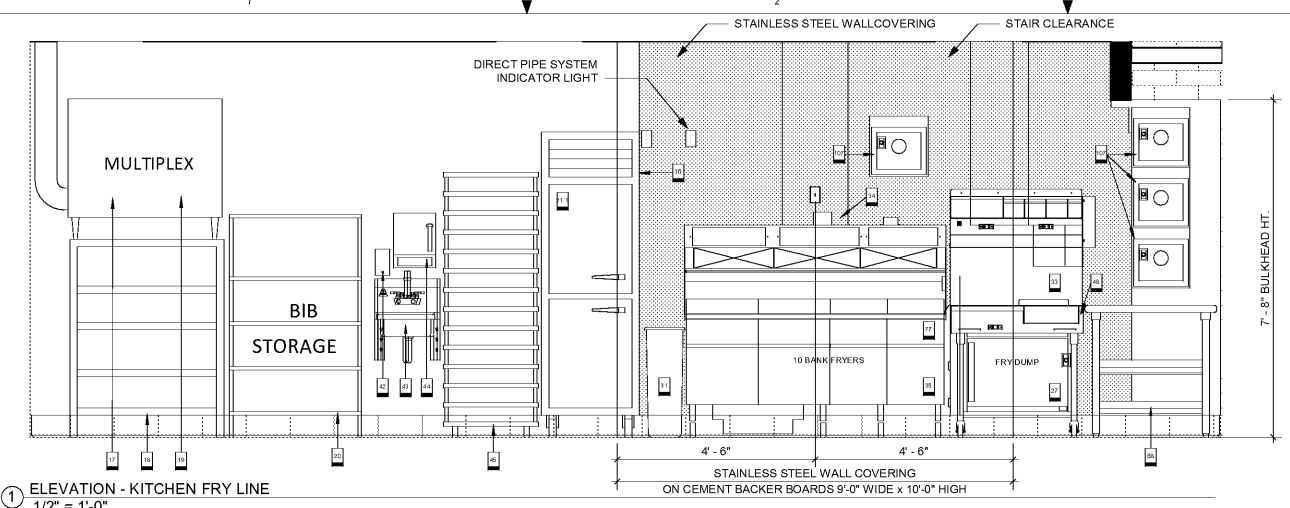
Designed: WB

Drawing No.:

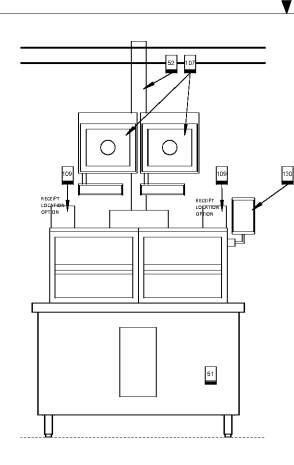
Drawn: JR

K1.2

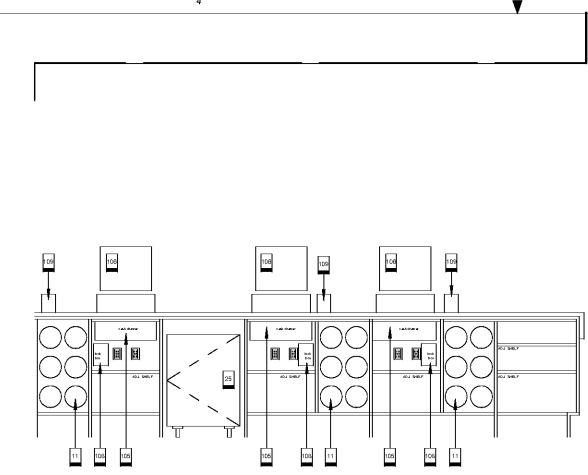
Checked: NT



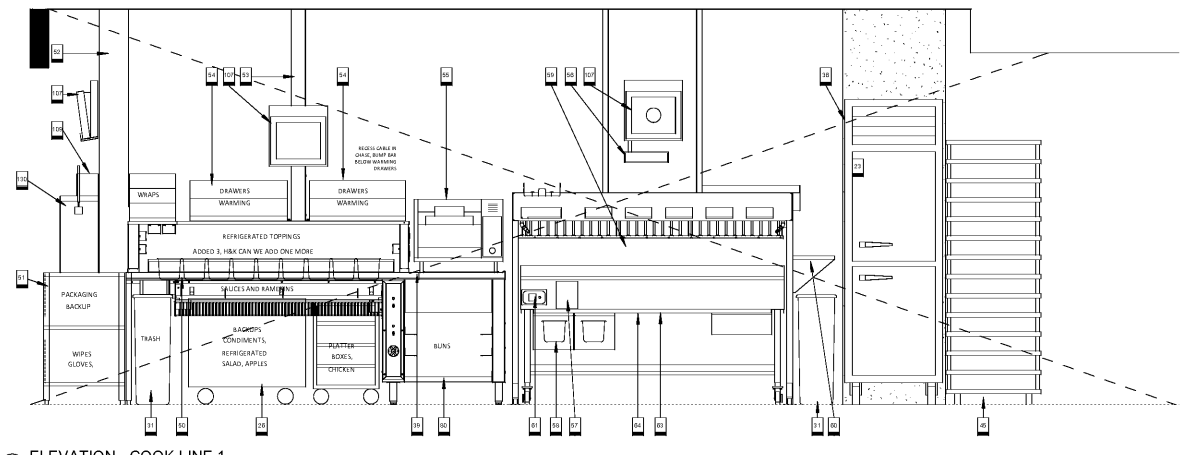
1 ELEVATION - KITCHEN FRY LINE
1/2" = 1'-0"



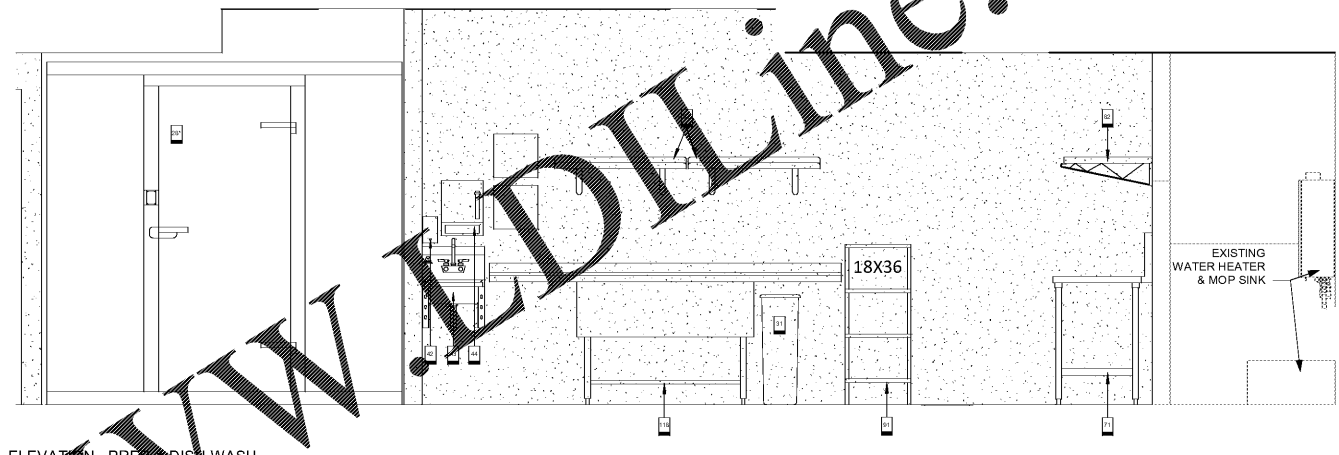
5 ELEVATION - CENTER ISLAND
1/2" = 1'-0"



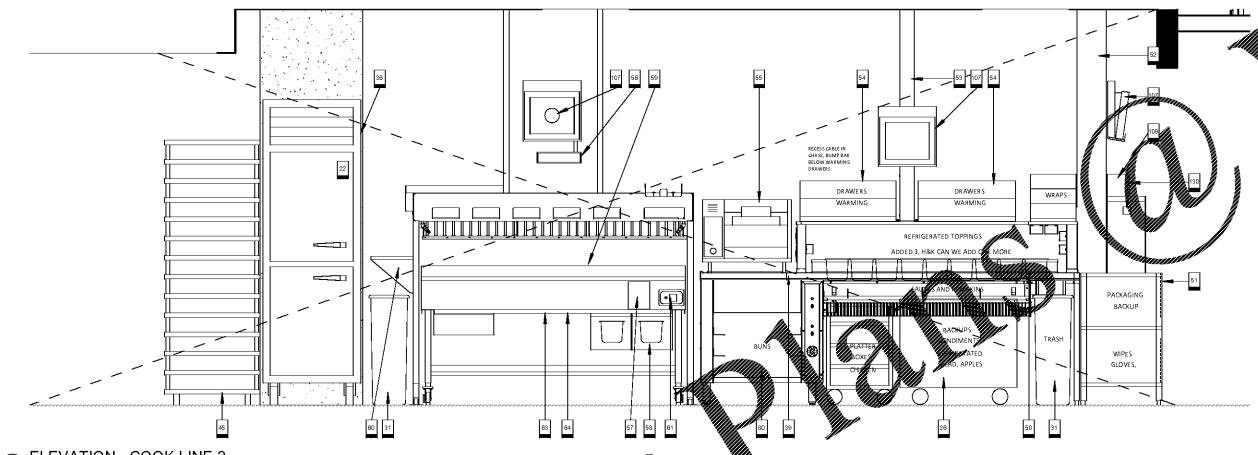
6 ELEVATION - SERVICE COUNTER
1/2" = 1'-0"



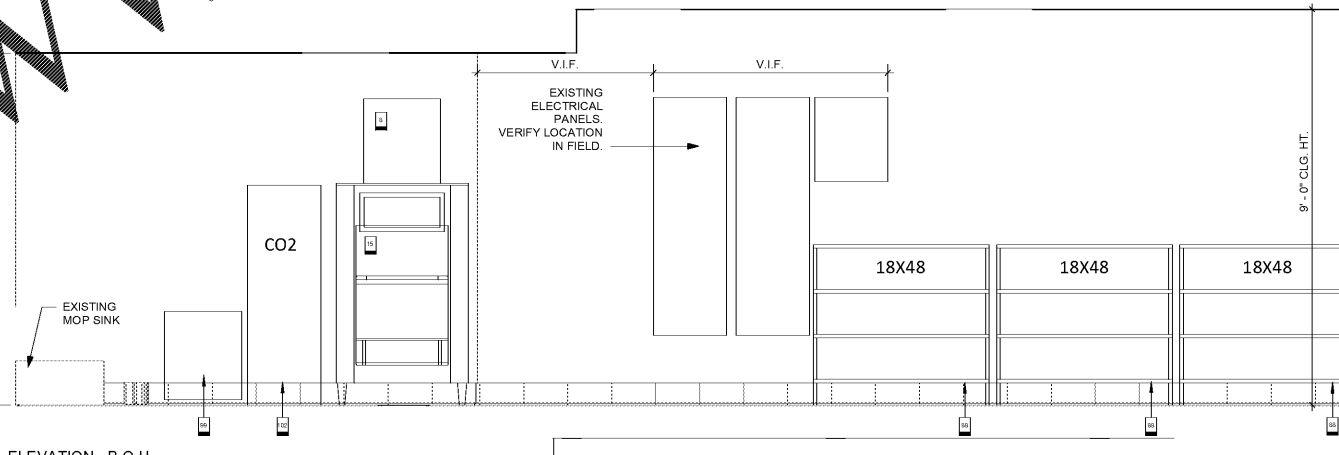
2 ELEVATION - COOK LINE 1
1/2" = 1'-0"



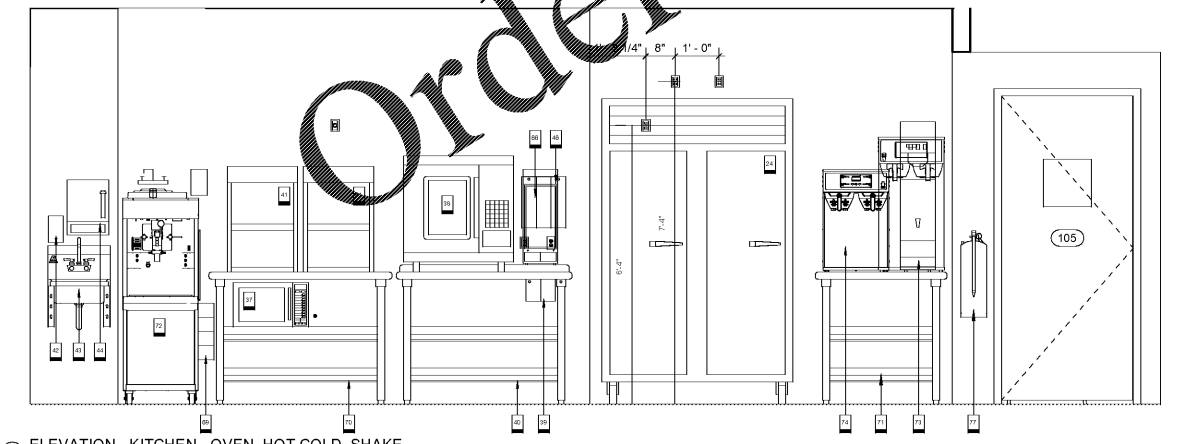
7 ELEVATION - PRE-DISH WASH
1/2" = 1'-0"



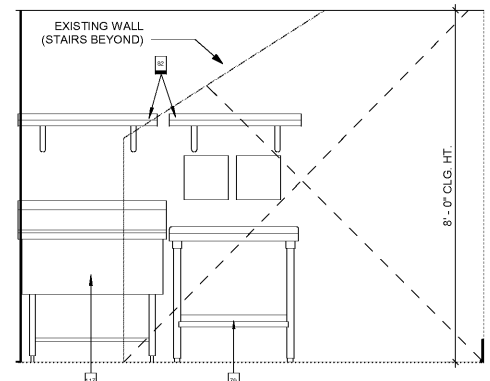
3 ELEVATION - COOK LINE 2
1/2" = 1'-0"



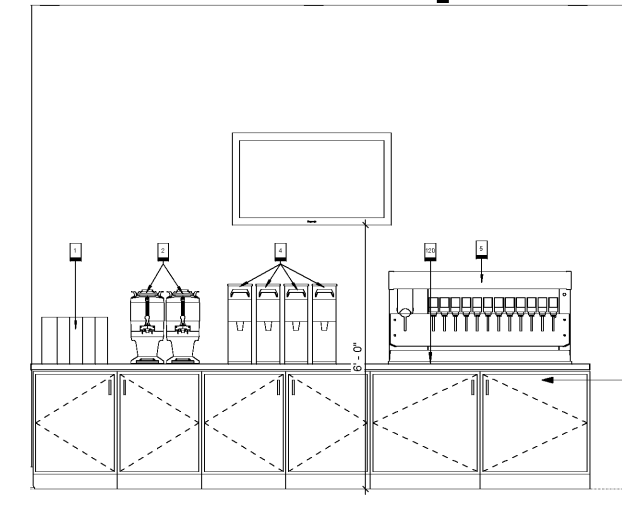
8 ELEVATION - B.O.H.
1/2" = 1'-0"



4 ELEVATION - KITCHEN - OVEN, HOT COLD, SHAKE
1/2" = 1'-0"



9 ELEVATION - B.O.H. 2
1/2" = 1'-0"



10 ELEVATION - BEVERAGE STATION
1/2" = 1'-0"

Order Plans @ www.ediLine.com

C:\Users\stn\Documents\WB 101 N College CENTRAL_rtu\rt.txd
3/25/2021 5:08:20 PM