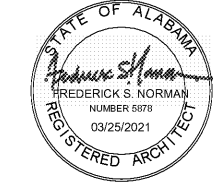


IN ASSOCIATION WITH:

SEALS & SIGNATURES:



REV	DESCRIPTION	DATE

101 N COLLEGE STREET

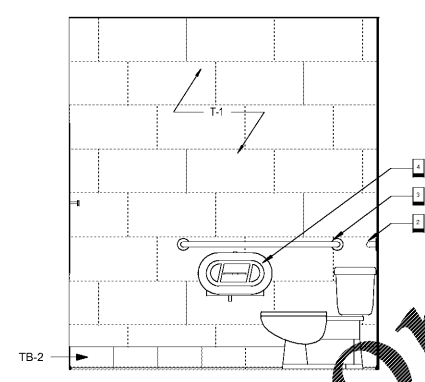
101 N. COLLEGE STREET
 AUBURN, AL 36830



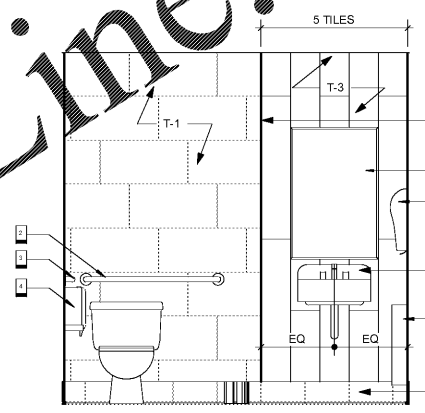
Project No.: SNA Project # 2021-04
 Client Project No.:

Drawing Title:
**ENLARGED PLAN AND
 INTERIOR ELEVATIONS**

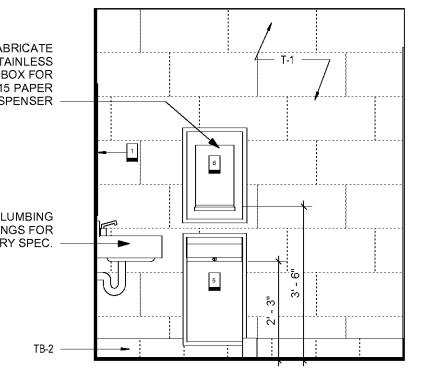
Date: 03/25/2021
 Designer: WB
 Drawn: JR
 Checked: NT
 Drawing No.:
11.2



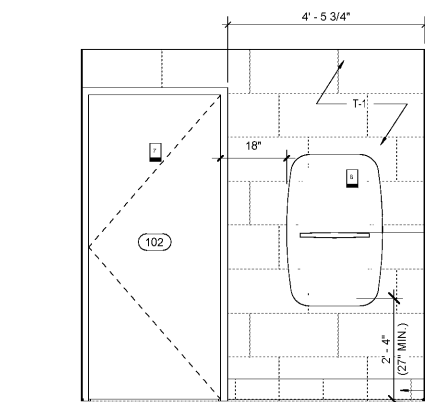
D4 WEST ELEVATION - WOMEN
 SCALE 1/2" = 1'-0"



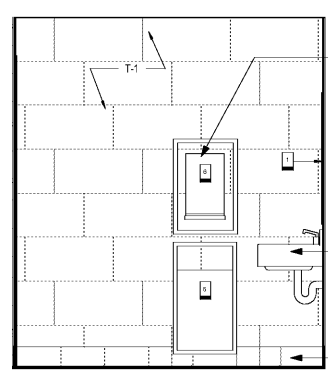
C4 NORTH ELEVATION - WOMEN
 SCALE 1/2" = 1'-0"



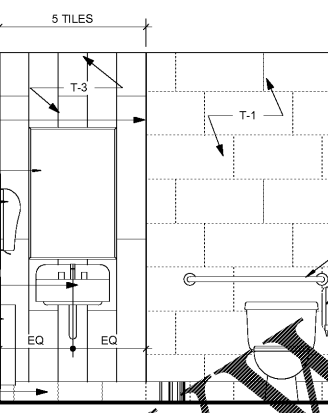
B4 EAST ELEVATION - WOMEN
 SCALE 1/2" = 1'-0"



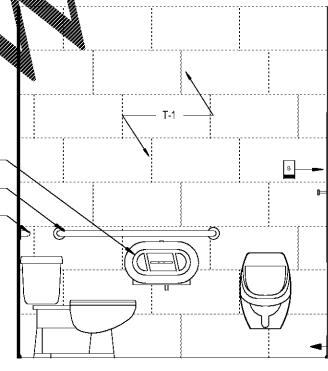
A4 SOUTH ELEVATION - WOMEN
 SCALE 1/2" = 1'-0"



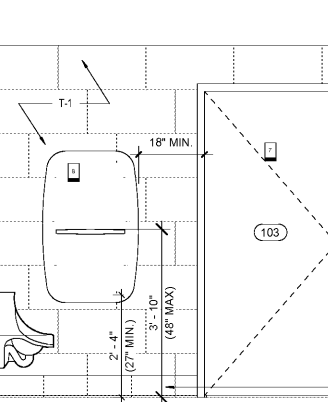
D3 WEST ELEVATION - MEN
 SCALE 1/2" = 1'-0"



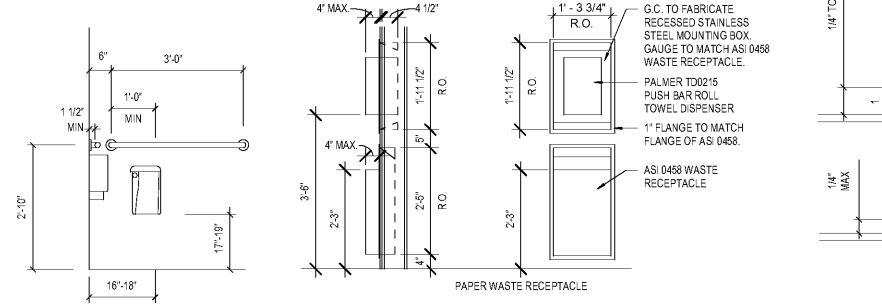
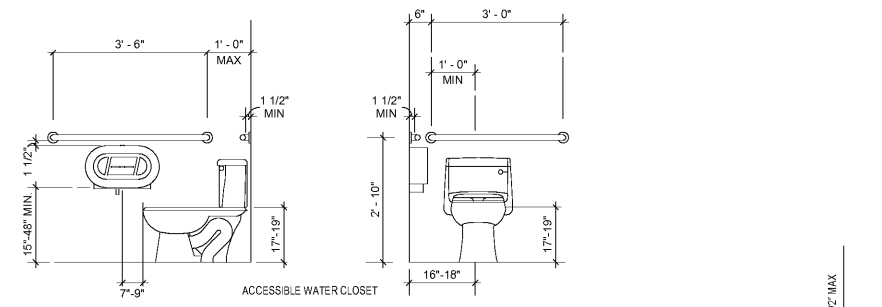
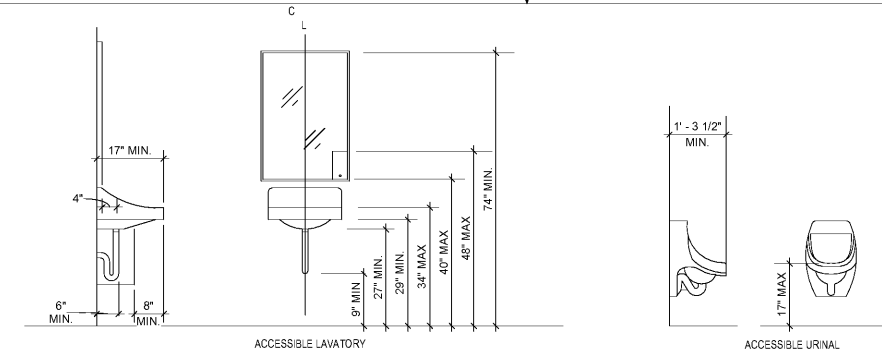
C3 NORTH ELEVATION - MEN
 SCALE 1/2" = 1'-0"



B3 EAST ELEVATION - MEN
 SCALE 1/2" = 1'-0"

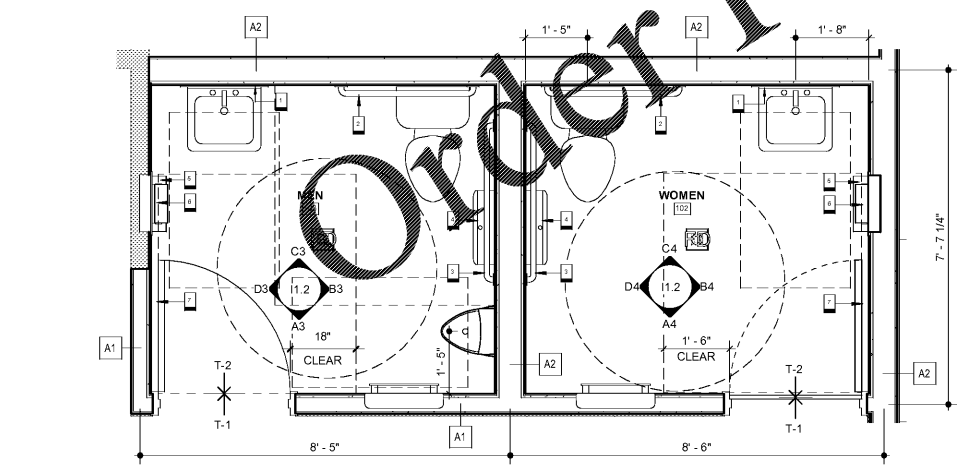


A3 SOUTH ELEVATION - MEN
 SCALE 1/2" = 1'-0"



TOILET ACCESSORIES SCHEDULE

ITEM	ACCESSORY DESCRIPTION	MANUF.	PRODUCT NAME / NO.	FINISH	QTY	DIMENSIONS	REMARKS
1	MIRROR	BOBRICK	B-290	STAINLESS STEEL	2	24" x 36"	CONTRACTOR PROVIDED, CONTRACTOR INSTALLED
2	3'-0" GRAB BAR	BOBRICK	B-6806 W/ KIT 262-2	STAINLESS STEEL SATIN FINISH	2	"W" X "H" X "D"	CONTRACTOR PROVIDED, CONTRACTOR INSTALLED
3	3'-6" GRAB BAR	BOBRICK	B-6806 W/ KIT 262-2	STAINLESS STEEL SATIN FINISH	2	"W" X "H" X "D"	CONTRACTOR PROVIDED, CONTRACTOR INSTALLED
4	SURFACE MOUNTED TOILET TISSUE DISPENSER	BOBRICK	X	STAINLESS STEEL	2	"W" X "H" X "D"	WHATABURGER PROVIDED, CONTRACTOR INSTALLED
5	SEMI-RECESSED MOUNTED PAPER TOWEL DISPOSAL	0458 (AMERICAN SPECIALTIES, INC.)	X	STAINLESS STEEL	2	"W" X "H" X "D"	WHATABURGER PROVIDED, CONTRACTOR INSTALLED
6	SURFACE MOUNT PAPER TOWEL DISPENSER	PALMER FIXTURE CO. MECH. HANDS FREE ROLL TOWEL DPS. TD0215	X		2	"W" X "H" X "D"	WHATABURGER PROVIDED, CONTRACTOR INSTALLED. RE. DETAIL FOR GC PROVIDED/FABRICATED SS FINISH
7	SURFACE MOUNTED PURSE/COAT HOOK	BRADLEY	B-6717	STAINLESS STEEL SATIN FINISH	2	"W" X "H" X "D"	CONTRACTOR PROVIDED, CONTRACTOR INSTALLED
8	HORIZONTAL SURFACE MOUNTED DIAPER CHANGING STATION	KOALA KARE	K9-200-00	GREY	2	35 3/16"W X 22 1/4"H X 4"D	CONTRACTOR PROVIDED, CONTRACTOR INSTALLED
9	NOT USED				N/A		



A1 ENLARGED PLAN - RESTROOMS
 SCALE 1/2" = 1'-0"

C:\Users\stn\Documents\WB 101 N College CENTRAL_rtu.rvt
 3/25/2021 5:09:37 PM