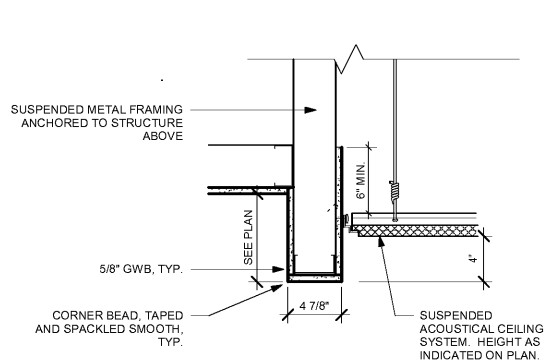
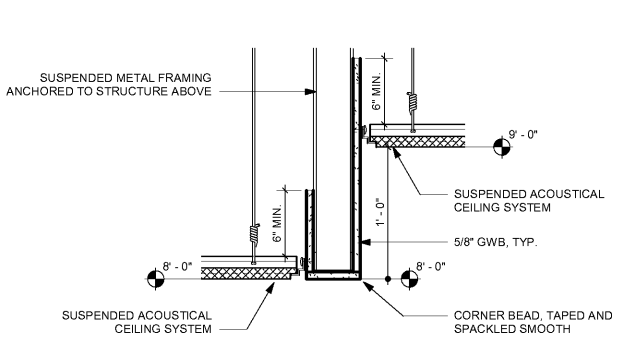


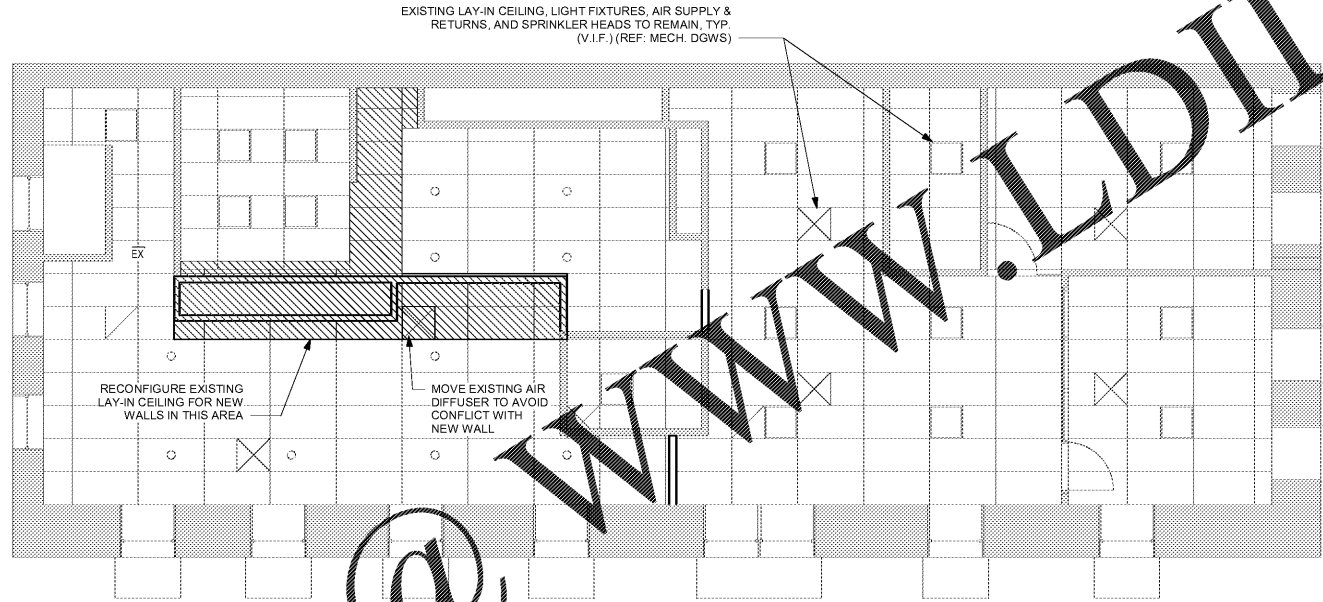
3 SOFFIT DETAIL
1 1/2" = 1'-0"



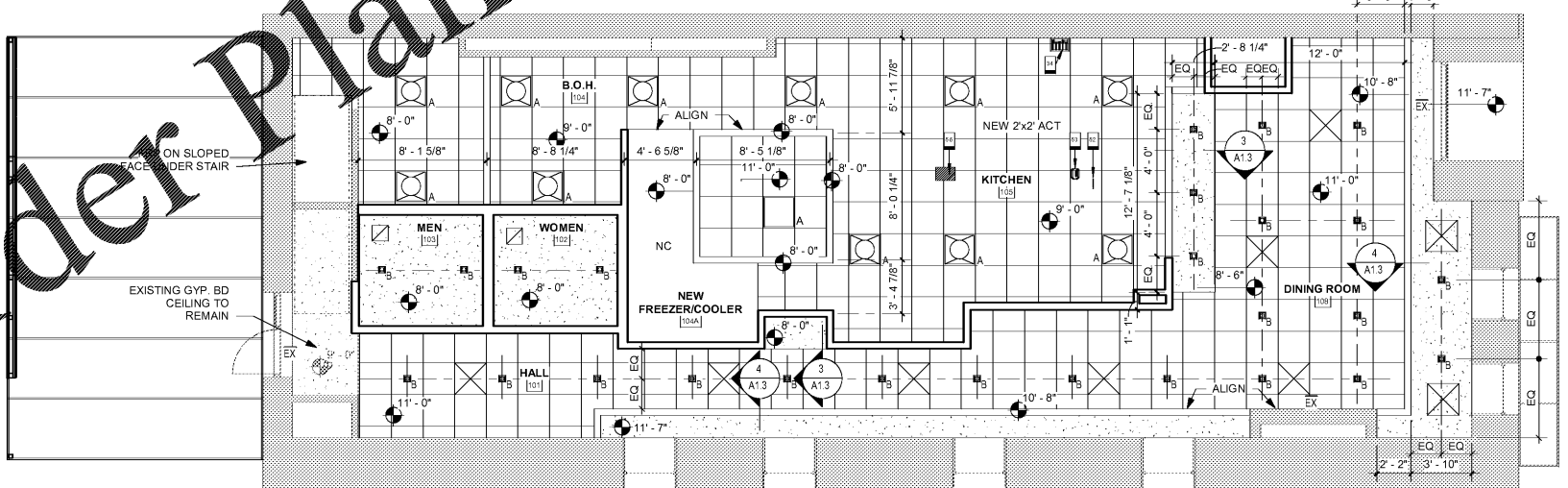
4 BULKHEAD DETAIL
1 1/2" = 1'-0"



5 CEILING DETAIL - ACT TO ACT
1 1/2" = 1'-0"



2 NEW RCP - 2ND FLOOR
3/16" = 1'-0"



1 NEW RCP - 1ST FLOOR
3/16" = 1'-0"

RCP GENERAL NOTES

- VERIFY EXTENT AND TYPE OF EXIT AND EMERGENCY LIGHTING REQUIREMENTS AS REQUIRED BY APPLICABLE CODES.
- CEILING IN AREAS UNDER CONTRACT TO BE INSTALLED IN STRICT ACCORDANCE WITH MANUFACTURERS' SPECIFICATIONS, LOCAL BUILDING CODES AND OTHER APPLICABLE CODES. PROVIDE LATERAL BRACING AS REQUIRED.
- VERIFY CEILING HEIGHTS AND CEILING PLENUM CLEARANCES TO ASSURE FINISHED CEILING HEIGHTS CALLED OUT ON JACOBS DOCUMENTS. DISCREPANCIES SHALL BE BROUGHT TO ARCHITECTS' ATTENTION IMMEDIATELY, PRIOR TO COMMENCEMENT OF WORK.
- CONFLICTS OR DISCREPANCIES AMONG FIXTURES, FIRE AND SMOKE DETECTION DEVICES, HVAC OR OTHER CONDITIONS SHALL BE BROUGHT TO THE ATTENTION OF ARCHITECTS FOR CLARIFICATION.
- EMERGENCY LIGHTING SHALL BE WIRED TO THE BUILDING EMERGENCY WIRING SYSTEM AND KEPT INDEPENDENT OF OTHER WIRING SYSTEMS.
- ILLUMINATED EXIT LIGHTING FIXTURES SHALL BE WIRED TO THE BUILDING EMERGENCY WIRING SYSTEM AND KEPT INDEPENDENT OF OTHER WIRING SYSTEMS. EXIT SIGN LIGHT FIXTURES SHALL BE LED EDGE LIT CLEAR ACRYLIC PANELS WITH RECESSED COVERED HOUSINGS. WHEN EXIT SIGNS ARE ONE SIDED ONLY, PROVIDE REFLECTIVE MYLAR FILM TO MINIMIZE REVERSE READING.
- FIRE AND SMOKE DETECTION DEVICES AND LIGHT FIXTURES SHALL BE COORDINATED BY CONTRACTORS AND SUBMITTED TO WHATABURGER FOR FINAL ALIGNMENT APPROVAL. WALL-MOUNTED AND/OR CEILING-MOUNTED PHOTO STROBE DEVICES SHALL BE WHITE, UNLESS OTHERWISE NOTED.
- UNLESS OTHERWISE NOTED, THERMOSTATS SHALL BE MOUNTED ADJACENT TO LIGHT SWITCHES AT 42" OC AFF. COORDINATE INSTALLATION WITH MECHANICAL SYSTEMS PROVIDER.
- SWITCH AND FACE PLATE COLOUR SHALL BE "PURE WHITE". UNLESS NOTED OTHERWISE, SUBMIT SAMPLE COLOURS TO WHATABURGER FOR FINAL COLOUR SELECTION.
- NO ACCESS PANELS TO OCCUR AT ANY GWB CEILINGS UNLESS SPECIFICALLY CALLED OUT ON REFLECTED CEILING PLAN.
- MENSURE TO CENTERLINE OF FIXTURE, UNLESS OTHERWISE NOTED.
- MOUNT LIGHT SWITCHES AT 42" ABOVE FINISH FLOOR TO CENTER LINE OF SWITCH. LOCATE 6" FROM HANDSET SIDE OF DOOR FRAME.
- WHEN MORE THAN ONE LIGHT SWITCH OR CONTROL SWITCH OCCURS IN ONE LOCATION, GANG SWITCHES TOGETHER AND PROVIDE A COMMON SWITCH PLATE COVER.
- CEILING GRIDS TO BE CENTERED IN SPACES WITH EQUAL TILES AT OPPOSITE SIDES AS SHOWN UNLESS OTHERWISE NOTED.
- CEILING FIXTURES TO BE CENTERED ON LAY-IN PANELS IN SUSPENDED CEILING AREAS AS SHOWN, UNLESS OTHERWISE NOTED.
- PROVIDE ADDITIONAL BLOCKING AND/OR ANCHORING ABOVE CEILINGS FOR SUPPORT OF LIGHT FIXTURES AND CEILING SUPPORTED EQUIPMENT.
- SUBMIT LIGHTING FIXTURE CUT SHEETS TO ARCHITECTS FOR APPROVAL PRIOR TO PURCHASING.
- SUPPLY AND RETURN GRILLES AND DIFFUSERS AT GWB CEILINGS TO BE LINEAR DIFFUSERS TO ALIGN WITH ADJACENT LIGHT FIXTURES OR CEILING FEATURES. PROVIDE DUMMY GRILLES AS REQUIRED TO YIELD CONTINUOUS APPEARANCE. FINISH INSIDE OF ACTIVE AND DUMMY GRILLES AND ANY DUCTWORK OR FRAMING IN VIEW FROM BELOW MATTE BLACK. FINAL LOCATIONS AND LENGTHS TO BE REVIEWED WITH OWNER PRIOR TO FRAMING.
- CEILING HEIGHT IS AT 10'-0" A.F.F. UNLESS NOTED OTHERWISE.

KEYNOTE LEGEND

REFLECTED CEILING PLAN LEGEND

- 2'x2' SUSPENDED ACOUSTIC CEILING TILE
- GYP SUM BOARD CEILING
[MR] - MOISTURE RESISTANT GYP SUM BOARD CEILING
- SUPPLY AIR DIFFUSER
- EXHAUST AIR GRILL
- CEILING MOUNT SPEAKER/STROBE
- NC NO CEILING

LIGHT FIXTURE SCHEDULE

Symbol	Description
A	2'x2' LED LAY-IN TROFFER LITHONIA 26TL
B	4' SQUARE DOWNLIGHT GOTHAM EVO
C	NOT USED
D	NOT USED
D1	NOT USED
E	NOT USED
F	NOT USED
G	NOT USED
S3	NOT USED
S6	NOT USED



126 TICHENOR AVE
AUBURN, AL 36830
334.887.7010

IN ASSOCIATION WITH:

SEALS & SIGNATURES:



REV	DESCRIPTION	DATE

101 N COLLEGE STREET

101 N. COLLEGE STREET
AUBURN, AL 36830



Project No.: SNA Project #: 2021-04

Client Project No.:

Drawing Title:

REFLECTED CEILING PLANS

Date: 03/25/2021

Phase:

Designed: WB

Drawing No.:

Drawn: JR

A1.3

Checked: NT

Order Plans @

WWW.LDILINE.COM