



126 TICHENOR AVE
AUBURN, AL 36830
334.887.7010

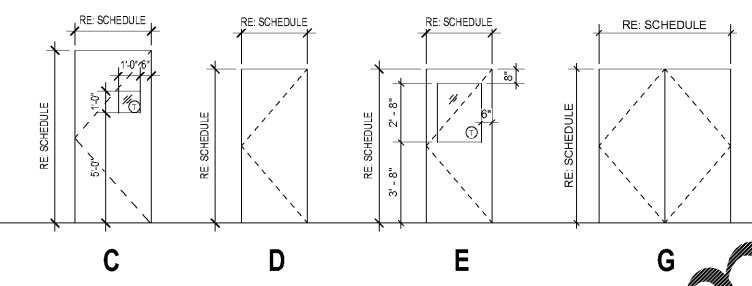
IN ASSOCIATION WITH:

SEALS & SIGNATURES:



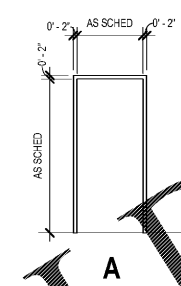
REV	DESCRIPTION	DATE

DOOR TYPES



NOTE:
ALL GLASS LITES TO BE TEMPERED GLASS

FRAME TYPES



DOOR SCHEDULE

NO.	DOOR						FRAME			DETAILS			REMARKS	
	WIDTH	HEIGHT	THICKNESS	TYPE	MAT	FINISH	GLAZING	TYPE	MAT	FINISH	HEAD	JAMB		HWDR
102	3'-0"	7'-0"	1 3/4"	D	SW	PLAM (PL-1)	-	A	HM	PAINT (PT-1)	D2A0.3	C2A0.3	6A	
103	3'-0"	7'-0"	1 3/4"	D	SW	PLAM (PL-1)	-	A	HM	PAINT (PT-1)	D2A0.3	C2A0.3	6A	
105	3'-0"	7'-0"	1 3/4"	C	SCP-8	SCP-8	TEMP	A	HM	PAINT (PT-1)	B2A0.3	A2A0.3	9	DOUBLE-ACTING
202	3'-0"	7'-0"	1 3/4"	E	HM	PAINT	TEMP	A	HM	PAINT (PT-1)	D2A0.3	C2A0.3	7	
203	6'-0"	7'-0"	1 3/4"	G	HM	PAINT	-	A	HM	PAINT (PT-1)	D2A0.3	C2A0.3	10	DOUBLE-HUNG
204	3'-0"	7'-0"	1 3/4"	D	HM	PAINT	-	A	HM	PAINT (PT-1)	D2A0.3	C2A0.3	7	

HARDWARE SET

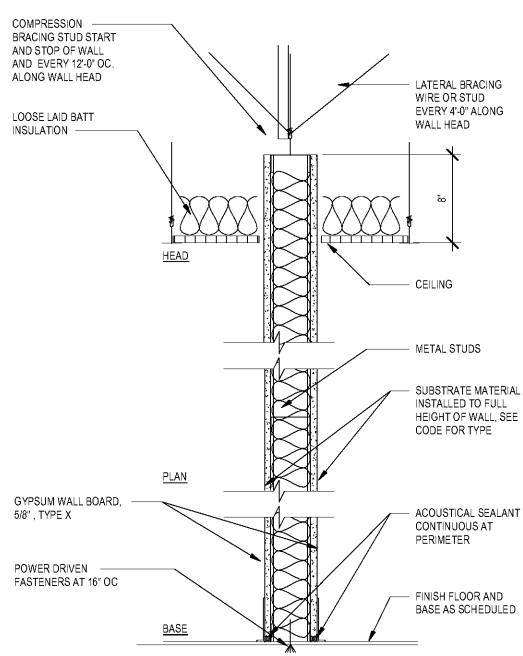
- 1. NOT USED
- 2. NOT USED
- 3. NOT USED
- 4. NOT USED
- 5. NOT USED
- 6. NOT USED
- 6A. LOCK:
HINGES: FALCON #T301-D, PRIVACY SATIN FINISH
KICKPLATE: (3) HAGER #B91279, MORTISE BEARING, 626 SATIN FINISH
CLOSER: HAGER #1902 8" x 20"
WALL STOP: NORTON #6501 BFDA X SND BRUSHED ALUM. 236W X US32D, GRAY
- 7. LOCK:
HINGES: FALCON #T571-D, DORMITORY
KICKPLATE: (3) HAGER #B91279
CLOSER: HAGER #1902 8" x 34"
NORTON #6501 BFDA X SNB
- 8. NOT USED
- 9. HARDWARE PROVIDED BY DOOR MANUFACTURER - ELIASON RESTAURANT DOORS OR EQUAL
- 10. LOCK:
HINGES: TBD
KICKPLATE: (6) HAGER #B91279
CLOSER: (4) HAGER #1902 8" x 34"
NORTON #6501 BFDA X SNB

GENERAL NOTES - DOOR SCHEDULE

A. ALL DOORS & DOOR HARDWARE SHALL MEET CURRENT ADA REQUIREMENTS
 B. ALL GLASS SHALL BE CLEAR TEMPERED UNLESS OTHERWISE NOTED
 C. COORDINATE HARDWARE WITH SECURITY AND ELECTRICAL REQUIREMENTS FOR DOORS
 D. HARDWARE SCHEDULE HAS BEEN DEVELOPED FOR DESIGN INTENT ONLY. HARDWARE PROVIDER SHALL VERIFY THE FUNCTION AND COMPATIBILITY OF ALL COMPONENTS. OWNER/CONTRACTOR TO COORDINATE DOOR HARDWARE PRIOR TO ORDERING.
 E.

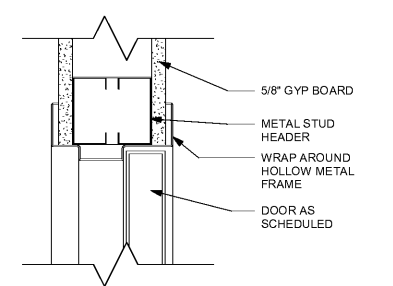
DOOR MATERIAL

PLAM PLASTIC LAMINATE
 SW SOLID WOOD
 GL GLASS
 (T) TEMPERED
 SCP-8 ELIASON DOOR WOOD LAMINATE FINISH

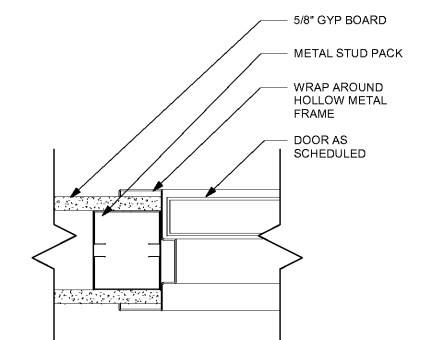


A			
SIZE INDICATOR	TYPE	STUD SIZE	TOTAL WIDTH
1	IND	3 5/8"	4 7/8"
2		6"	7 1/4"

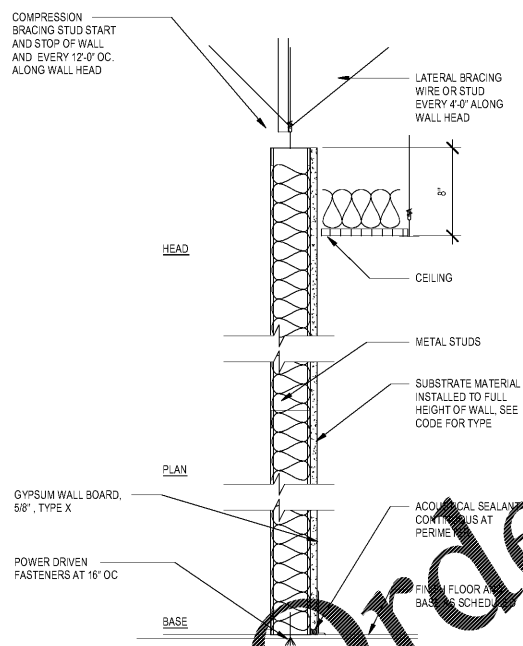
C1 WALL TYPE A
SCALE 1 1/2" = 1'-0"



D2 INTERIOR HM DOOR HEAD DETAIL
SCALE 3" = 1'-0"

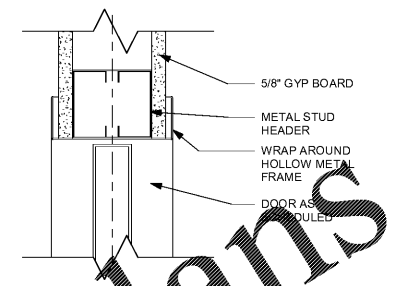


C2 INTERIOR HM DOOR JAMB DETAIL
SCALE 3" = 1'-0"

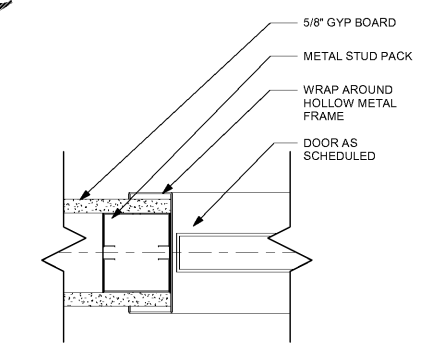


B			
SIZE INDICATOR	TYPE	STUD SIZE	TOTAL WIDTH
1	IND	3 5/8"	4 1/4"

A1 WALL TYPE B
SCALE 1 1/2" = 1'-0"



B2 INTERIOR HM DOOR HEAD DETAIL @ DOUBLE-ACTING DOOR
SCALE 3" = 1'-0"



A2 INTERIOR HM DOOR JAMB DETAIL @ DOUBLE-ACTING DOOR
SCALE 3" = 1'-0"

Order Plans @ www.DIline.com

101 N COLLEGE STREET

101 N. COLLEGE STREET
AUBURN, AL 36830



Project No.: SNA Project #: 2021-04
Client Project No.:

Drawing Title:
DOOR FRAME TYPES AND DOOR SCHEDULE

Date: 03/25/2021 Phase:
Designed: WB
Drawn: JR
Checked: NT

Drawing No.:
A0.3