

EXHAUST FAN INFORMATION - JOB#4783687

FAN UNIT NO	TAG	QTY	FAN UNIT MODEL #	MANUFACTURER	CFM	ESP	RPM	MOTOR ENCL	HP	BHP	PHASE	VOLT	FLA	DISCHARGE VELOCITY	WEIGHT (LBS)	SONES
1	KEF-3	1	DJ33HFA	CAPTIVEAIRE	500	1.000	1538	DDP	0.333	0.2230	3	208	1.3	248 FPM	81	15.4

FAN OPTIONS

FAN UNIT NO	TAG	QTY	DESCRIPTION
1	KEF-3	1	GREASE BOX.
		1	FAN BASE CERAMIC SEAL - INSTALLED AT PLANT - FOR GREASE DUCTS.
		1	VAV PACKAGE W/ MANUAL CONTROL (VFD INCLUDED).
		1	2 YEAR PARTS WARRANTY.

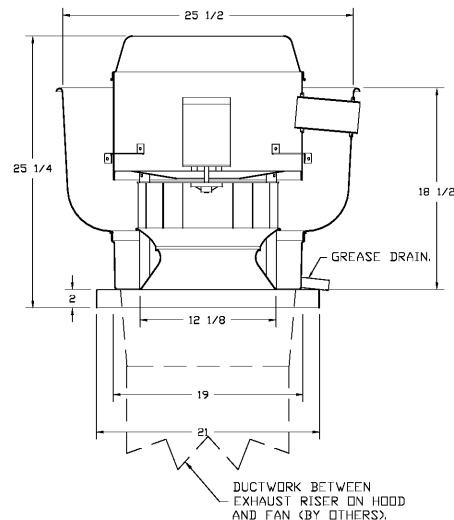
FAN ACCESSORIES

FAN UNIT NO	TAG	EXHAUST				SUPPLY			
		GREASE CUP	GRAVITY DAMPER	WALL MOUNT	SIDE DISCHARGE	GRAVITY DAMPER	MOTORIZED DAMPER	WALL MOUNT	
1	KEF-3	YES							

CURB ASSEMBLIES

NO	ON FAN	TAG	WEIGHT	ITEM	SIZE
1	# 1	KEF-3	34 LBS	CURB	19.500"W X 19.500"L X 22.000"H 0.250/12.000 PITCH VENTED HINGED.

FAN #1 DJ33HFA - EXHAUST FAN (KEF-3)



FEATURES:

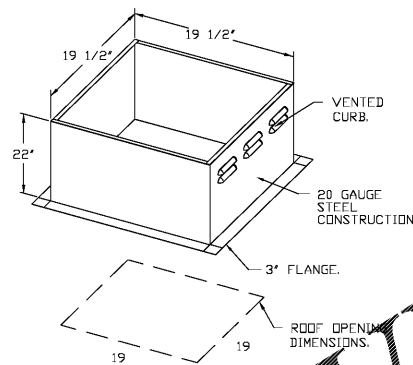
- DIRECT DRIVE CONSTRUCTION (NO BELTS/PULLEYS).
- ROOF MOUNTED FANS.
- RESTAURANT MODEL.
- UL705 AND UL762 AND ULCS-S645
- VARIABLE SPEED CONTROL.
- INTERNAL WIRING.
- THERMAL OVERLOAD PROTECTION (SINGLE PHASE).
- HIGH HEAT OPERATION 300°F (149°C).
- GREASE CLASSIFICATION TESTING.
- NEMA 3R SAFETY DISCONNECT SWITCH.

NORMAL TEMPERATURE TEST
EXHAUST FAN MUST OPERATE CONTINUOUSLY WHILE EXHAUSTING AIR AT 300°F (149°C) UNTIL ALL FAN PARTS HAVE REACHED THERMAL EQUILIBRIUM, AND WITHOUT ANY DETERIORATING EFFECTS TO THE FAN WHICH WOULD CAUSE UNSAFE OPERATION.

ABNORMAL FLARE-UP TEST
EXHAUST FAN MUST OPERATE CONTINUOUSLY WHILE EXHAUSTING BURNING GREASE VAPORS AT 600°F (316°C) FOR A PERIOD OF 15 MINUTES WITHOUT THE FAN BECOMING DAMAGED TO ANY EXTENT THAT COULD CAUSE AN UNSAFE CONDITION.

OPTIONS

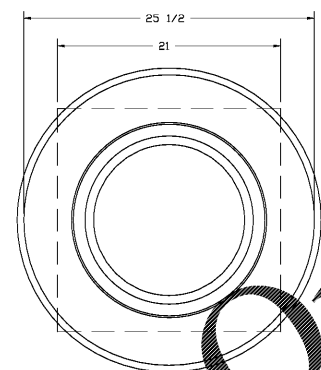
- GREASE BOX.
- FAN BASE CERAMIC SEAL - INSTALLED AT PLANT - FOR GREASE DUCTS.
- VAV PACKAGE W/ MANUAL CONTROL (VFD INCLUDED).
- 2 YEAR PARTS WARRANTY.



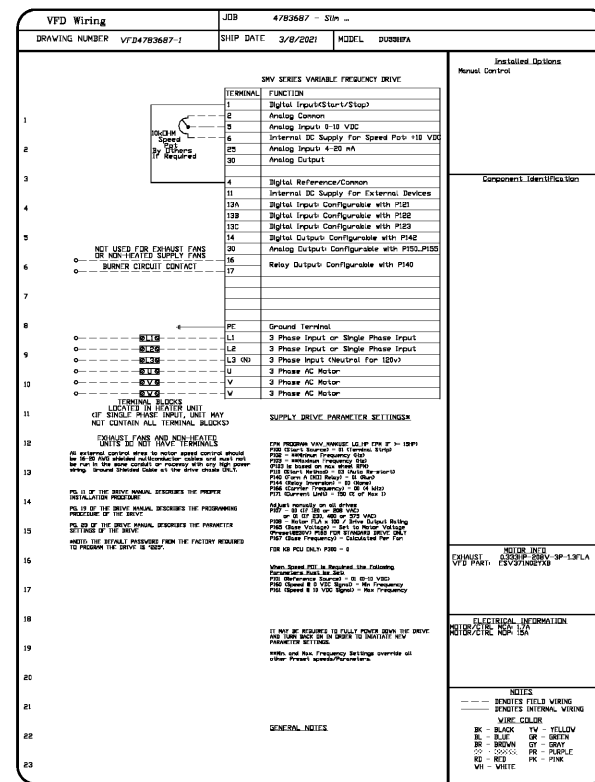
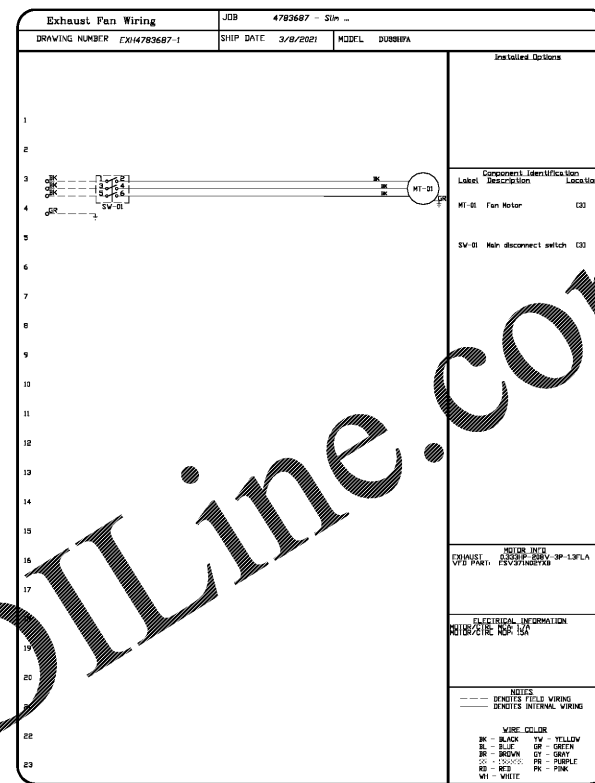
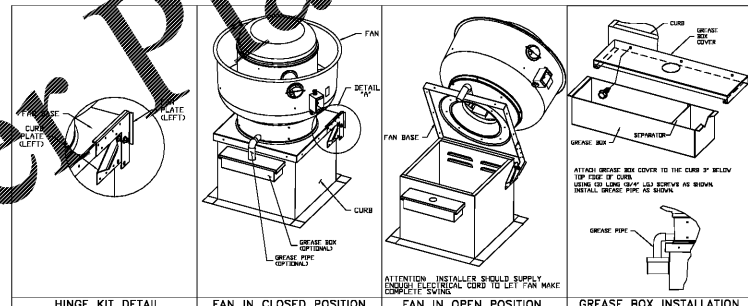
PITCHED CURBS ARE AVAILABLE FOR PITCHED ROOFS.
SPECIFY PITCH. EXAMPLE: 7/12 PITCH = 30° SLOPE.

IMPORTANT NOTES

VFD (INCLUDED) FOR KEF-3 WILL NEED TO BE ADDED TO EXISTING CONTROL PACKAGE (BY ELECTRICIAN)



TOP VIEW



REVISIONS

NO.	DESCRIPTION	DATE
1		
2		
3		
4		
5		
6		
7		
8		
9		
10		
11		
12		
13		
14		
15		
16		
17		
18		
19		
20		
21		
22		

ARCHITECT:
JOHN S. ODOM, ARCHITECT
P.O. BOX 410384
SAINT LOUIS, MISSOURI 63141
PH: 1-417-343-2852
WWW.JOHNSODOM.COM
E-MAIL: JOHN@JOHNSODOM.COM
CONTACT: JOHN S. ODOM

PROJECT:
TENANT MODIFICATIONS FOR:
SLIM CHICKENS
4311 WASHINGTON ROAD
EVANS, GEORGIA 30809

Arkansas Mechanical
www.captiveair.com
reg 146@captivair.com
PO Box 1642, Farmington, AR, 72730 PHONE: (501) 500-5450 FAX: (501) 710-8870 EMAIL: reg 146@captivair.com

DATE: 3/8/2021
DWG.#: 4783687
DRAWN BY: JJF_CAS146
SCALE: 3/4" = 1'-0"
MASTER DRAWING

SHEET NO.
3

ARCHITECT:
JSO
JOHN S. ODOM, ARCHITECT
P.O. BOX 410384
SAINT LOUIS, MISSOURI 63141
PH: 1-417-343-2852
WWW.JOHNSODOM.COM
E-MAIL: JOHN@JOHNSODOM.COM
CONTACT: JOHN S. ODOM

PROJECT:
TENANT MODIFICATIONS FOR:
SLIM CHICKENS
4311 WASHINGTON ROAD
EVANS, GEORGIA 30809

GEORGIA REGISTERED PROFESSIONAL ENGINEER
No. 25568
WILLIAM ALKEMER
03-18-21

SPECIAL NOTICES
I, the undersigned, hereby certify that I am a duly licensed and registered Professional Engineer in the State of Georgia, and that I am the author of the design and construction of the above described project. I am not providing any services to the project which are outside the scope of my license. I am not providing any services to the project which are outside the scope of my license. I am not providing any services to the project which are outside the scope of my license.

Drawn Date
CA 1/20/21

H1.2
HOOD SHOP DRAWINGS