

GENERAL NOTES:

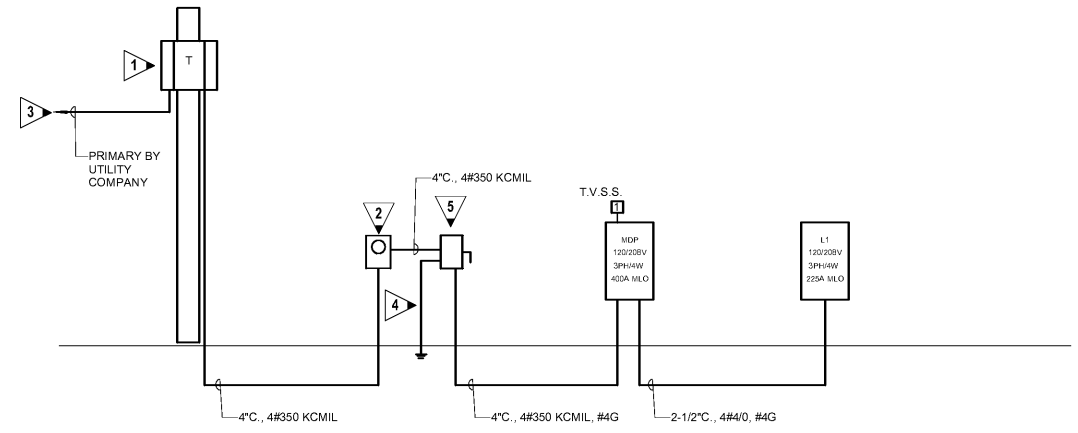
1. ALL FEEDER CONDUCTORS ARE BASED ON COPPER UNLESS OTHERWISE NOTED. CONTRACTOR SHALL BE RESPONSIBLE FOR PROVIDING LUGS ON ALL PANELS, BREAKERS, TRANSFORMERS, ETC. TO ACCOMMODATE CONDUCTOR SIZE SHOWN.

KEYED NOTES:

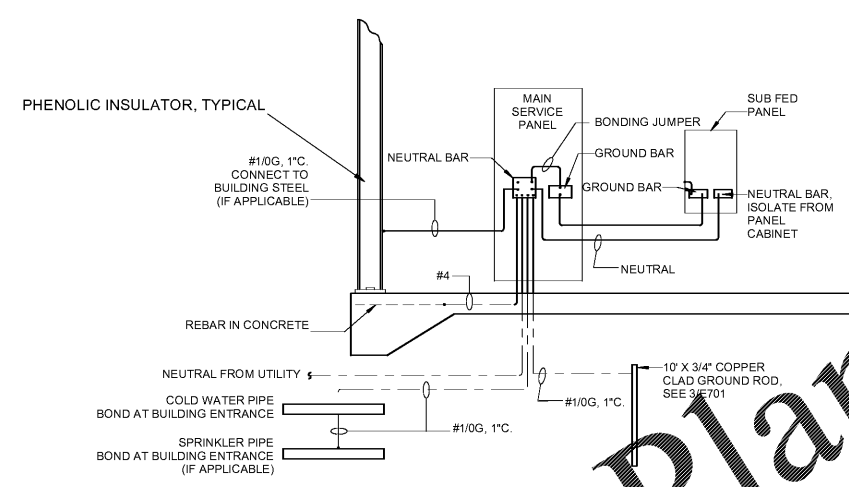
- 1 EXISTING UTILITY COMPANY POLE MOUNTED TRANSFORMER
- 2 METER SUPPLIED BY POWER COMPANY AND INSTALLED BY CONTRACTOR. CONTRACTOR TO PAY ALL COST FOR METER BASE AND SERVICE SHOWN.
- 3 UTILITY COMPANY PRIMARY. COORDINATE EXACT ROUTING WITH UTILITY COMPANY.
- 4 SEE DETAIL 2/E701 FOR SERVICE GROUNDING AND BONDING PANEL DETAIL.
- 5 400A/3P SERVICE ENTRANCE RATED NEMA 1P-1 DISCONNECT, USED AT 300 AMPS.

T.V.S.S. SCHEDULE		
TYPE	DESCRIPTION	NOTES
1	MAIN DISTRIBUTION PANEL (120/208 VOLTS, 3 PHASE) - 10,000 AMP RATED	1

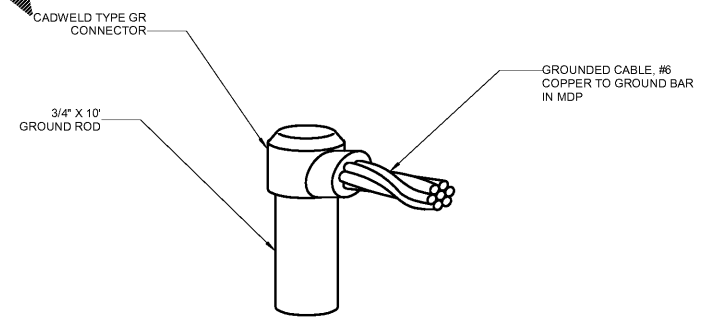
SCHEDULE NOTES:  
1. SEE SPECIFICATIONS FOR DETAILS.



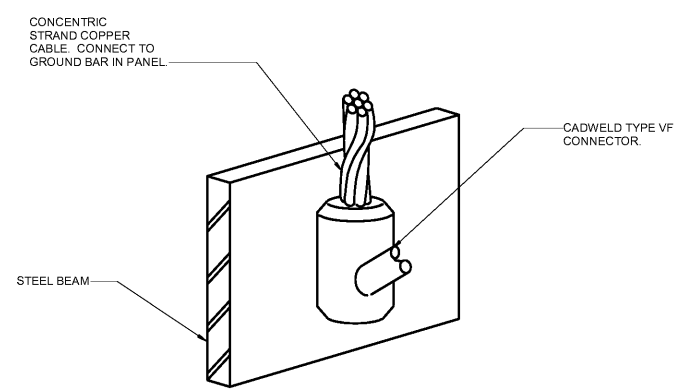
1 POWER RISER DIAGRAM  
E701 NO SCALE



2 DETAIL - SERVICE GROUNDING  
E701 NO SCALE



3 DETAIL - CABLE CONNECTION TO GROUND ROD  
E701 NO SCALE



4 DETAIL - CABLE CONNECTION TO STEEL BEAM  
E701 NO SCALE

Order Plans @ www.LDILine.com

**dickinson**  
ARCHITECTS  
Architecture|Interior Design|Planning  
771 Broad Street Suite 200  
Augusta, Georgia 30901  
(706) 722-7488  
mail@dickinsonarchitects.com  
www.dickinsonarchitects.com

Member of the  
American Institute of  
Architects

THIS DRAWING IS THE PROPERTY OF DICKINSON ARCHITECTS, P.C., AND IS NOT TO BE REPRODUCED OR COPIED IN WHOLE OR IN PART OR USED FOR FURNISHING INFORMATION TO OTHERS, OR FOR ANY OTHER PURPOSE, WITHOUT THE WRITTEN CONSENT OF DICKINSON ARCHITECTS, P.C., AND IS TO BE RETURNED UPON REQUEST.  
DICKINSON ARCHITECTS, P.C.

PROJECT TITLE:  
**SRP  
BRANCH  
BANK**

REVISIONS			
REV #	DATE	APRVD BY	REVISION
1	3/17/21	AF	ISSUE FOR PERMIT

DA PROJECT NUMBER & NAME:  
2092  
DRAWING TITLE:  
**POWER RISER  
DIAGRAM AND  
DETAILS**  
DRAWING NO:  
**E701**

**EDC** ELECTRICAL DESIGN CONSULTANTS, INC.  
1201 BROAD ST., SUITE 1-A  
AUGUSTA, GA 30901  
PH: (706) 724-3551  
FAX: (706) 724-8597  
EDC PROJECT # 21017