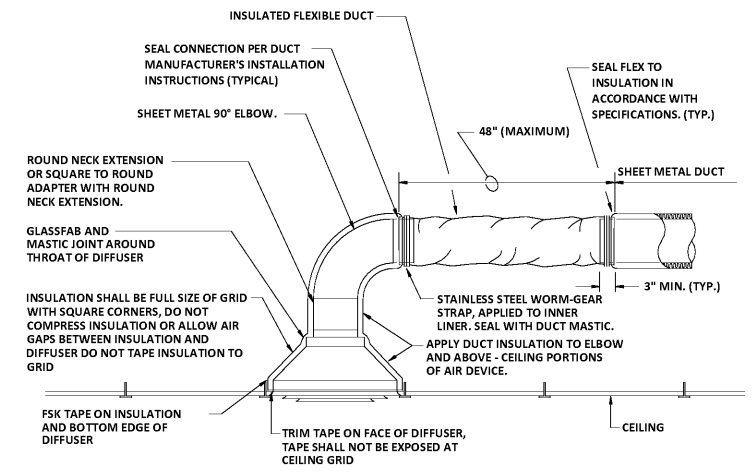
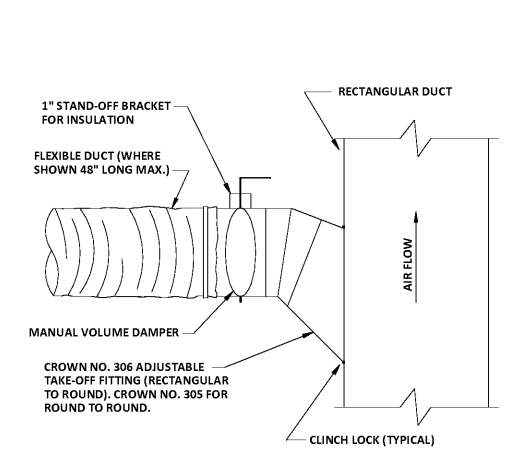


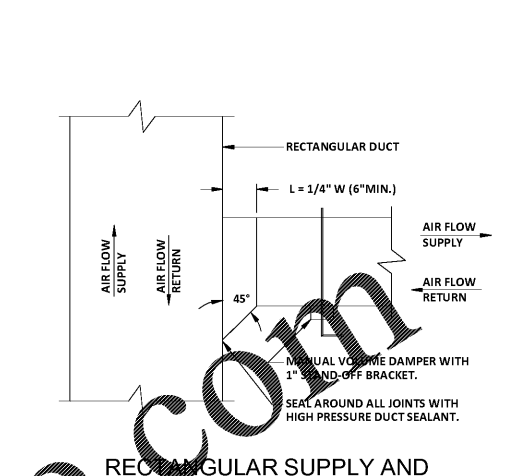
1 EXHAUST/RETURN GRILLE CONNECTION DETAILS
M301 NOT TO SCALE



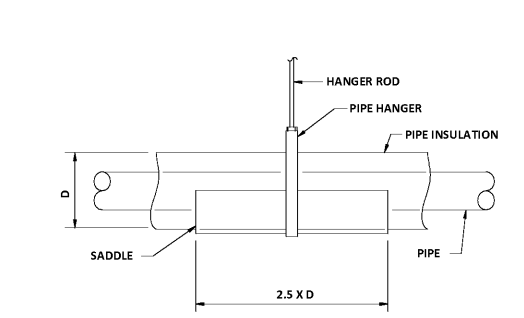
2 FLEXIBLE ROUND DUCT CONNECTION DETAIL
M301 NOT TO SCALE



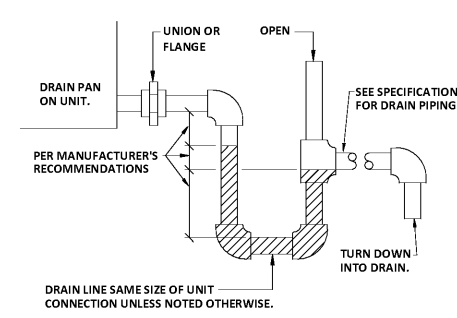
3 SUPPLY DUCT TAKE-OFF FITTING DETAIL
M301 NOT TO SCALE



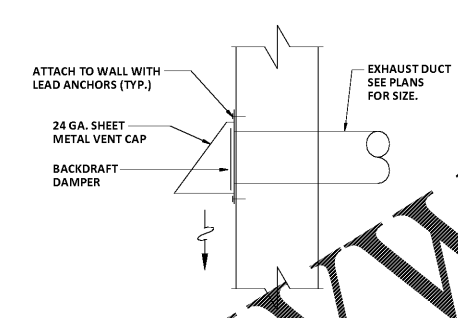
4 RECTANGULAR SUPPLY AND RETURN DUCT TAKE-OFF DETAIL
M301 NOT TO SCALE



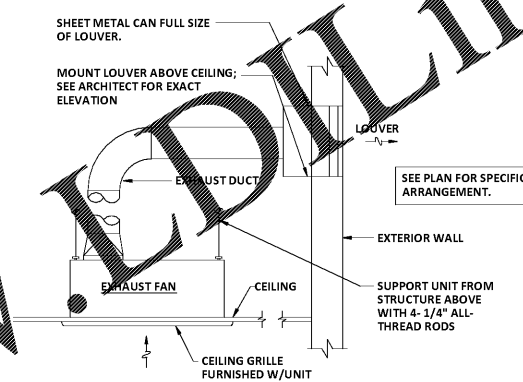
5 PIPE HANGER SADDLE DETAIL
M301 NOT TO SCALE



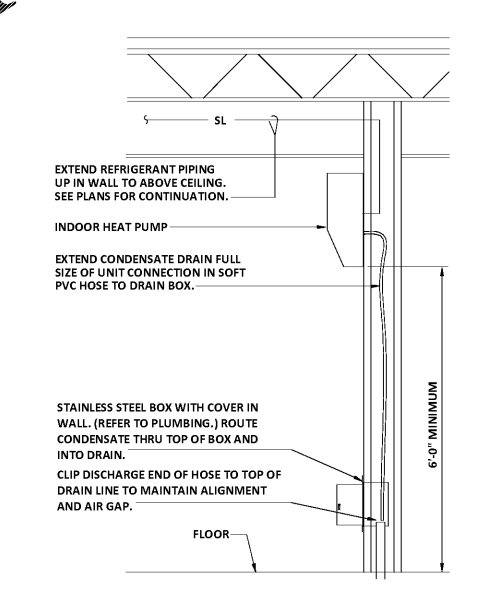
6 CONDENSATE DRAIN TRAP DETAIL
M301 NOT TO SCALE



7 WALL CAP DETAIL
M301 NOT TO SCALE



8 CLG. MOUNTED EXHAUST FAN DETAIL
M301 NOT TO SCALE



9 SECTION @ INDOOR HEAT PUMP
M301 NOT TO SCALE

Order Plans @ www.LDOnline.com

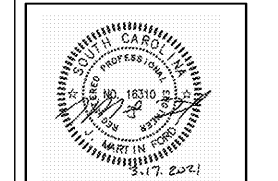
dickinson ARCHITECTS
Architecture Interior Design Planning
771 Broad Street Suite 200
Augusta, Georgia 30901
(706) 722-7488
mail@dickinsonarchitects.com
www.dickinsonarchitects.com

Member of the American Institute of Architects

THIS DRAWING IS THE PROPERTY OF DICKINSON ARCHITECTS, P.C. AND IS NOT TO BE REPRODUCED, COPIED, IN WHOLE OR IN PART, OR USED FOR ANY OTHER PURPOSE, WITHOUT THE WRITTEN CONSENT OF DICKINSON ARCHITECTS, P.C., AND IS TO BE RETURNED UPON REQUEST. DICKINSON ARCHITECTS, P.C.

PROJECT TITLE:
SRP BRANCH BANK

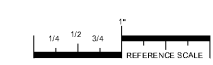
REVISIONS			
REV #	DATE	APRVD BY	REVISION
01	09/17/21	JMF	Issue for Permit



DA PROJECT NUMBER & NAME:
2092
DRAWING TITLE:
HVAC DETAILS

DRAWING NO:
M301

PFA
PRUETT, FORD & ASSOCIATES, INC.
144 S.W. PEPPERBUSH DRIVE, SUITE 300
AUGUSTA, GEORGIA 30901
706.722.7488 • FAX 706.722.8222
WWW.PFA-ARCHITECTS.COM



PLOT DATE: 03.17.2021
FILE NAME: 21003
PLOT SCALE: 1/4" = 1'-0"
JLS

COPYRIGHT © 2020
PRUETT, FORD & ASSOCIATES, INC.
AUGUSTA, GA 30901 (706) 722-8869