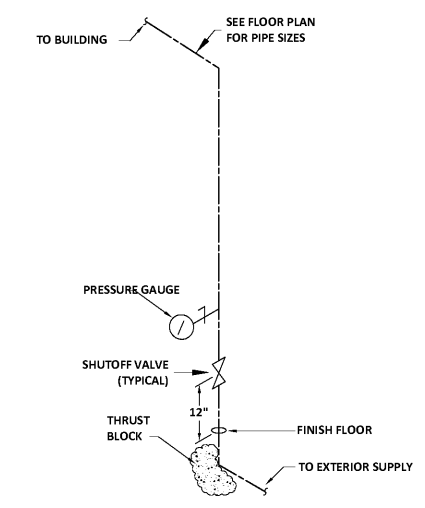
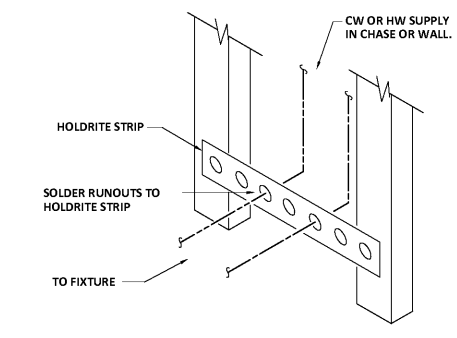


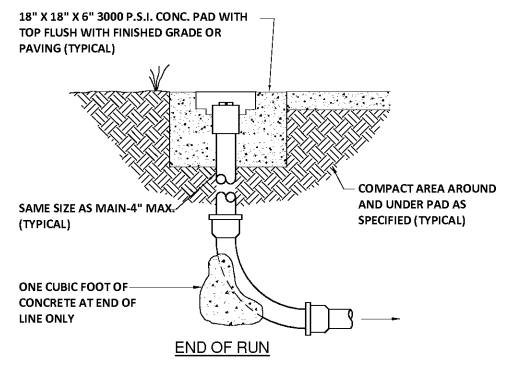
1 WATER VALVE LOCATOR TAG
P301 NOT TO SCALE



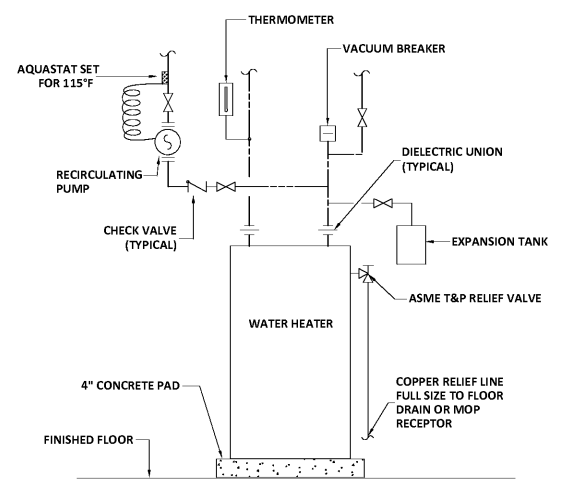
2 PLUMBING DOMESTIC WATER RISER
P301 SCHEMATIC ONLY



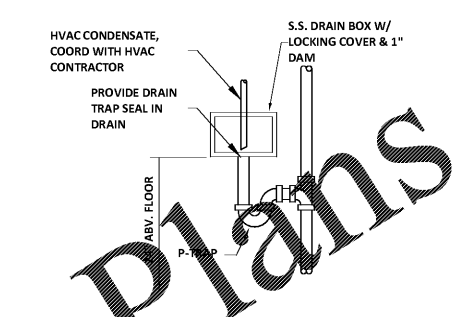
3 RUNOUT ANCHOR DETAILS
P301 SCHEMATIC



4 CLEANOUT DETAILS
P301 SCHEMATIC ONLY



5 WATER HEATER PIPING DETAIL
P301 NOT TO SCALE



6 CONDENSATE DRAIN BOX DETAIL
P301 SCHEMATIC ONLY

GENERAL PLUMBING NOTES

EXACT LOCATIONS AND ROUGHING REQUIREMENTS FOR ALL FIXTURES AND EQUIPMENT SHALL BE DETERMINED FROM ARCHITECTURAL DRAWINGS, LARGE SCALE ARCHITECTURAL DETAILS AND APPROVED MANUFACTURER'S SHOP DRAWINGS. INVERT ELEVATIONS SHOWN SHALL BE VERIFIED ON THE JOB BEFORE INSTALLING ANY NEW PIPE. INSTALL TEST-TEES WHEN THE SANITARY SEWER SYSTEM IS TO BE TESTED IN SECTIONS. PIPING IS SHOWN IN ITS GENERAL LOCATION (UNLESS DIMENSIONED).

EXACT LOCATION SHALL BE DETERMINED BY JOB CONDITIONS. CONTRACTOR SHALL COORDINATE THE INSTALLATION OF HIS WORK WITH THAT OF OTHER TRADES AND ARRANGE PIPING TO CLEAR STRUCTURAL MEMBERS AND DUCTWORK. RISERS FOR FIXTURES, UNLESS OTHERWISE NOTED, SHALL BE CONCEALED IN WALLS OR PIPE CHASES.

INSTALL UNDERGROUND WATER LINE(S) ABOVE SOIL AND WASTE LINE(S). WATER LINE IN SAME TRENCH WITH SOIL OR WASTE LINE SHALL BE INSTALLED ON AN UNDISTURBED EARTH LEDGE WITH THE BOTTOM OF THE WATER LINE 12" (MIN.) ABOVE TOP OF SOIL OR WASTE LINE.

REFER TO ARCHITECTURAL FINISH SCHEDULE AND ELEVATIONS FOR DETAILS OF FLOORS WHERE FLOOR DRAINS AND CLEANOUTS ARE LOCATED.

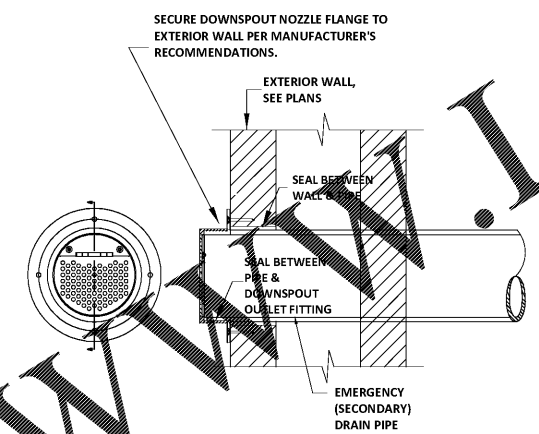
INSTALL EXTERIOR WALL HYDRANTS 18" ABOVE FINISH GRADE, EXCEPT AS NOTED OTHERWISE.

PROVIDE SLEEVES FOR PIPES PASSING THRU FLOORS, MASONRY WALLS AND FIRE OR SMOKE PARTITIONS. PACK ANNULAR SPACE BETWEEN PIPE WITH MATERIAL APPROVED IN U.L. BUILDING DIRECTORY.

COORDINATE LOCATIONS OF FLOOR DRAINS AND CLEANOUTS IN MECHANICAL ROOMS WITH HVAC EQUIPMENT.

PROVIDE DRAIN TRAP SEAL FOR ALL HUB DRAINS, FLOOR DRAINS & FLOOR SINKS.

VENT TERMINALS SHALL NOT BE LOCATED WITHIN 10' OF FRESH AIR INTAKE. COORDINATE WITH APPROPRIATE TRADE.



7 EMERGENCY ROOF DRAIN DOWNSPOUT NOZZLE DETAIL
P301 NOT TO SCALE

PLUMBING FIXTURE SCHEDULE

SYMBOL	FIXTURE	WASTE		VENT	COLD WATER	HOT WATER	RIM HGT.	BASIS OF DESIGN FIXTURE
		CONN.	BRANCH					
P-1	WATER CLOSET (FLUSH TANK A.D.A. ADULT)	4"	2"	1/2"	-	17"		KOHLER K-3978-0 W/MOEN YB0201BL HANDLE BENEKE 527-SS WHITE SEAT
P-2	LAVATORY (WALL HUNG) (A.D.A. ADULT)	1-1/4"	1-1/2"	1/2"	1/2"		APRON BOTTOM 29"	TRUE FORM FLO-30V-ADA W/(2) FSB-L BRACKETS, KOHLER K-1406-4-BL FAUCET LACAVA RA098 TRAP COVER ①
P-3	ELECTRIC WATER COOLER (A.D.A.) (HI-LO)	1-1/4"	1-1/2"	1/2"	-		APRON BOTTOM 27"	ELKAY LZSTL8WSLK W/ BOTTLE FILLER & FILTER
P-4	SINGLE SINK (A.D.A.)	1-1/2"	1-1/2"	1/2"	1/2"		UNDER MOUNT 2"	MOEN GS20193B SINK, MOEN 7565BL FAUCET INSERATE SOLUTION ESSENTIAL XTR 3/4 HP W/POSSIBLE W/ BLACK SINK TOP & LITE ②
P-5	WATER HEATER	-	-	3/4"	3/4"	-		RHEEM RD40, 40 GALLON, 4.5 KW, 1/2 GAL/HZ @ 80°F RISE ②
P-6	RECIRCULATING PUMP	-	-	-	3/4"	-		EMM NBF-22, 2 GPM @ 14 FT. HEAD
P-7	ICE MAKER BOX	-	-	1/2"	-	12"		OATEY 39141 W/ FACEPLATE
P-8	CONDENSATE DRAIN BOX	1-1/2"	1-1/2"	-	-	-		ACORN M8200-1 BOX WITH 1" DAM & LOCKING COVER ④
P-9	MOP SINK	3"	2"	1/2"	1/2"		FAUCET @ 36" A.F.	FIAT MSB 3624, 832-AA, 889-CC, MSG3624, CHICAGO 897-RCF FAUCET
CO-1	CLEANOUT	-	-	-	-	-		SMITH 4031
CO-2	CLEANOUT PLUG	-	-	-	-	-		SMITH 4292
RD	ROOF DRAIN	-	-	-	-	-		SMITH 1015-Y-C-R-A W/ ADJUSTABLE EXTENSION
ERD	EMERGENCY ROOF DRAIN	-	-	-	-	-		SMITH 1080-Y-C-R-A W/ ADJUSTABLE EXTENSION
RDO	ROOF DRAIN OUTLET	-	-	-	-	-		SMITH 1775
FD-1	FLOOR DRAIN	-	-	-	-	-		SMITH 2005L-F37 ④
WH	WALL HYDRANT	-	-	-	3/4"	-		WOODFORD 65

PLUMBING FIXTURE SCHEDULE KEYNOTES

- ① PROVIDE "TRUEBRO LAV GUARD" PROTECTIVE PIPE COVERS ON WASTE AND SUPPLY PIPING.
- ② PROVIDE AMTROL ST-5 EXPANSION TANK.
- ③ PROVIDE CENTER REAR DRAIN PUNCH.
- ④ PROVIDE DRAIN TRAP SEAL DEVICE EQUAL TO MIFAB MI-GARD.

PLUMBING LEGEND

SYMBOL	DESCRIPTION	SYMBOL	DESCRIPTION
---	WASTE OR SANITARY SEWER	---	COLD WATER
----	VENT	----	HOT WATER
—RDL—	ROOF DRAIN LINE - ABOVE GRADE	—HWC—	HOT WATER CIRCULATING
—ERDL—	EMERGENCY ROOF DRAIN LINE	—S—	SHUTOFF VALVE
—C—	CLEANOUT PLUG	—SIR—	SHUTOFF VALVE IN RISER
—CO—	CLEANOUT	—WHA—	WATER HAMMER ARRESTOR
—FD—	FLOOR DRAIN	—WH—	WALL HYDRANT
—VTR—	VENT THRU ROOF	—GV—	GATE VALVE IN BOX
—RD—	ROOF DRAIN	—ERD—	EMERGENCY ROOF DRAIN

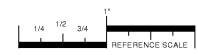
PROJECT TITLE:
**SRP
BRANCH
BANK**

REVISIONS

REV #	DATE	APRVD BY	REVISION
03/17/21	JMF		Issue for Permit

DA PROJECT NUMBER & NAME:
2092
DRAWING TITLE:
**PLUMBING
SCHEDULE AND
DETAILS**
DRAWING NO:
P301

Order Plans @



PLOT DATE: 02/15/2021
FILE NAME: 21003MECH
PLOT SCALE: 1 = 48
RWW

COPYRIGHT © 2020 PRUETT, FORD & ASSOCIATES, INC. AUGUSTA, GA 30901 (706) 722-8896