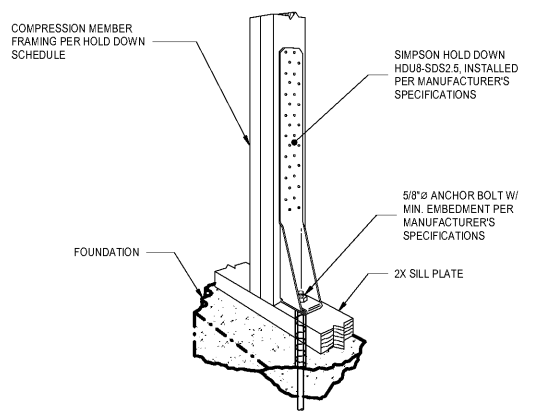
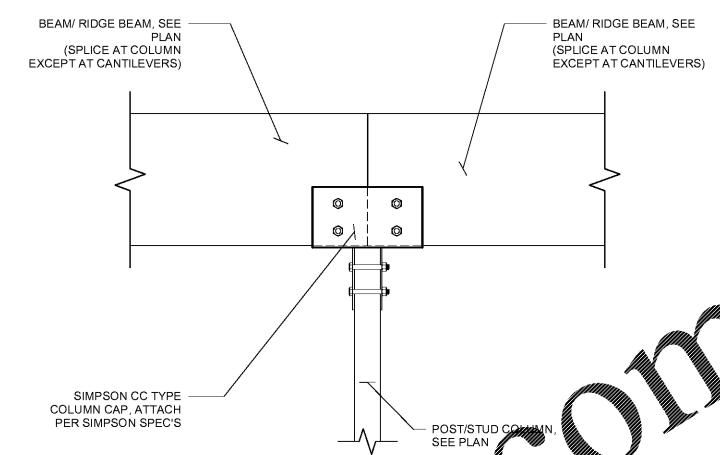


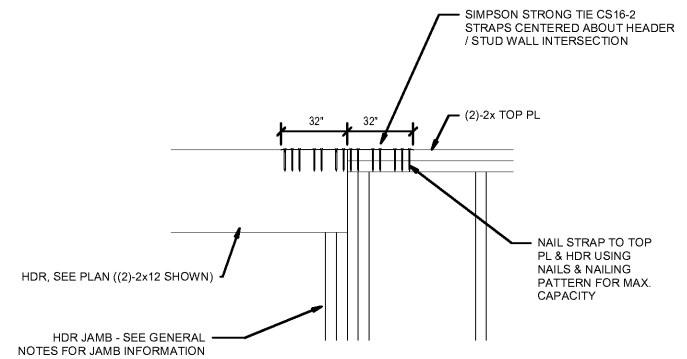
1 TYP. SECTION @ STUD INFILL FRAMING (NON-LOAD BRG)  
S231 SCALE: 1" = 1'-0"



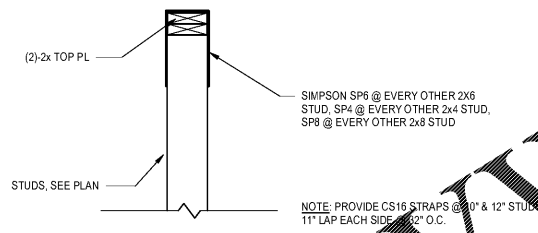
2 HOLD DOWN DETAIL  
S231 SCALE: 1" = 1'-0"



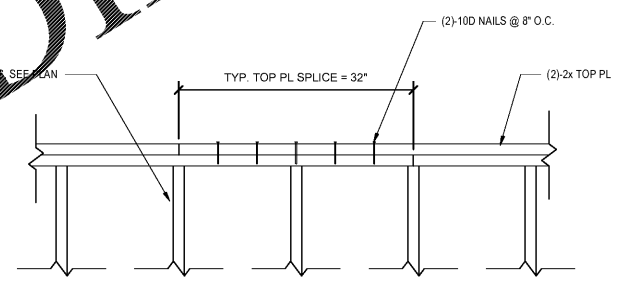
3 TYP. BEAM TO WOOD POST  
S231 SCALE: 1" = 1'-0"



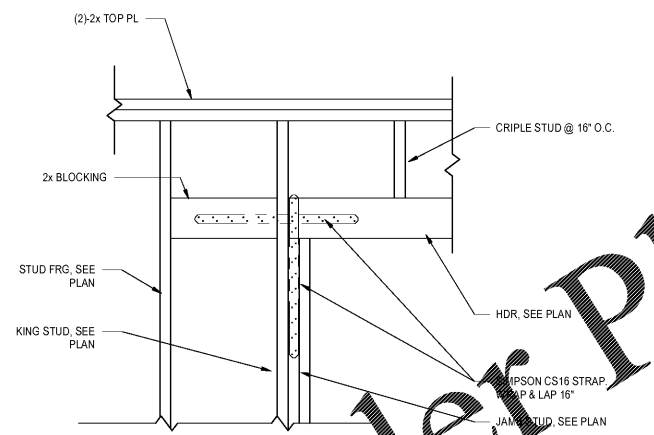
4 TYP. HEADER/Drag STRUT STRAP ATTACHMENT  
S231 SCALE: 1" = 1'-0"



5 TYP. TOP OF LOAD BRG WALLS & SHEAR WALLS  
S231 SCALE: 1" = 1'-0"



6 TYP. TOP PL SPLICE @ LOAD BRG WALLS & SHEAR WALLS  
S231 SCALE: 1" = 1'-0"



7 TYPICAL WOOD HEADER/BEAM (DROPPED)  
S231 SCALE: 1" = 1'-0"

**dickinson**  
ARCHITECTS  
Architecture Interior Design Planning  
771 Broad Street Suite 200  
Augusta, Georgia 30901  
(706) 722-7488  
mail@dickinsonarchitects.com  
www.dickinsonarchitects.com

Member of the  
American Institute of  
Architects

THIS DRAWING IS THE PROPERTY OF DICKINSON ARCHITECTS, P.C., AND IS NOT TO BE REPRODUCED OR COPIED IN WHOLE OR IN PART OR USED FOR FURNISHING INFORMATION TO OTHERS OR FOR ANY OTHER PURPOSE DEEMED HARMFUL TO THE INTERESTS OF DICKINSON ARCHITECTS, P.C., AND IS TO BE RETURNED UPON REQUEST.  
DICKINSON ARCHITECTS, P.C.

PROJECT TITLE:  
**SRP  
BRANCH  
BANK**

REVISIONS

REV #	DATE	APRVD BY	REVISION
1	03-19-21		ISSUED FOR PERMIT

Professional Engineer Seal  
No. 36808  
3/17/21  
MICHAEL CHARLES BRIGGS

DA PROJECT NUMBER & NAME:  
2020-0522  
DRAWING TITLE:  
**TYPICAL TIMBER  
DETAILS**  
DRAWING NO:  
**S231**

**CRANSTON**  
ENGINEERING  
ENGINEERS - PLANNERS - SURVEYORS  
452 Ellis Street, Augusta, Georgia 30901  
Telephone 706-722-1588  
CranstonEngineering.com

Order Plans @ [www.LDILine.com](http://www.LDILine.com)